

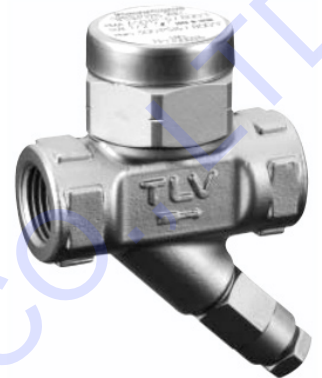
PowerDyne STEAM TRAP

Model: P21S ver.C (Compact Thermodynamic Disc Trap for tracing service)

Features

Stainless steel trap with built-in screen for reliable performance in tracing and instrumentation.

1. Single enlarged outlet port to extend reliability in copper tube tracing applications.
2. Hardened stainless steel working surfaces for long service life.
3. Air-jacketing reduces no-load cycling and extends service life.
4. Lapped disc provides steam-tight seal for long service life.
5. Built-in screen for extended trouble-free service.



Specifications

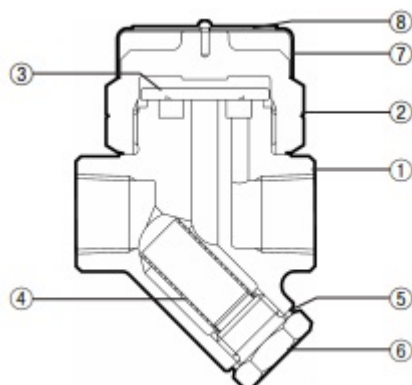
Model	P21S ver.C
Connection	Screwed
Size (mm)	8, 10, 15
Maximum Operating Pressure (MPaG) PMO	2.1
Minimum Operating Pressure (MPaG)	Horizontally installed: 0.025 Vertically installed: 0.04
Maximum Operating Temperature (°C) TMO	425
Maximum Back Pressure	80% of Inlet Pressure

PRESSURE SHELL DESIGN CONDITIONS (NOT OPERATING CONDITIONS): 1MPa = 10.197 kg/cm²

Maximum Allowable Pressure (MPaG) PMA: 4.6

Maximum Allowable Temperature (°C) TMA: 425

CAUTION : To avoid abnormal operation, accidents of serious injury, Do Not use this product outside of the specification range. Local regulations may restrict the use of this product to below the conditions quoted.



No.	Description	Materials	JIS	ASTM/AISI*
1	Body	Cast Stainless Steel	-	A743 Gr.CA40
2 (R)	Cover	Stainless Steel	SUS420F2	AISI420F2
3 (R)	Disc	Hardened Stain Steel	SUS420J2	AISI420
4 (R)	Screen	Stainless Steel	SUS430	AISI430
5 (MR)	Screen Holder Gasket	Stainless Steel	SUS316L	AISI316L
6	Screen Holder	Stainless Steel	SUS303	AISI303
7 (R)	Cap	Stainless Steel	SUS304	AISI304
8 (R)	Nameplate	Stainless Steel	SUS304	AISI304

*Equivalent

Replacement kits available : (M) maintenance parts, (R) repair parts

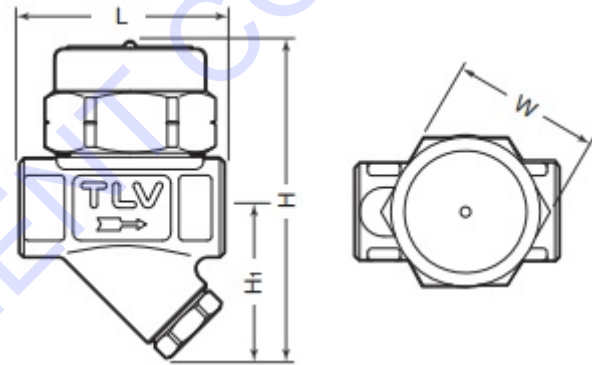
Dimensions

P21S ver.C Screwed*

(mm)

Size	L	H	H1	W	Weight (kg)
8	50	77	37	36	0.35
10					
15	68	82	39		0.46

*Rc (PT), other standards available



KRUNG THAI EQUIPMENT CO., LTD.