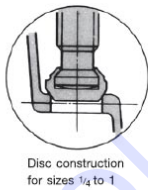
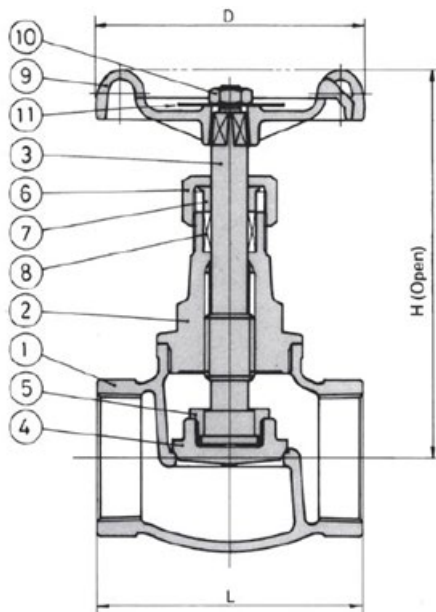


Bronze Globe Valves : Model 213A

Screwed bonnet, swivel type disc, screwed ends.



MSS Specification Valves



Material

No.	Name of parts	ASTM Specification	
1	Body	Cast bronze	B62-C83600
2	Bonnet	1/4 - 2	Forged brass B124-C37700
		2 1/2 - 4	Cast bronze B62-C83600
3	Stem	Copper alloy rod* or cast bronze (Note 1) B21-C47940 or B505-C83600	
4	Disc	1/4 - 1 1/2	Copper alloy rod* B21-C47940
		2 - 4	Cast bronze B62-C83600
5	Lock nut	1 1/4 - 3	Brass rod B16-C36000
		4	Cast bronze B62-C83600
6	Packing nut	1/4 - 3	Forged brass B283-C37700
		4	Cast bronze B62-C83600
7	Gland	Forged brass	B124-C37700
8	Gland packing	Non-asbestos packing	T#2996-NA
9	Handwheel	1/4 & 3/8	Zinc alloy die casting B86-Z33520
		1/2 - 3	Aluminum alloy die casting B85-A03840
		4	Ductile iron A536 Gr.65-45-12
10	Wheel nut	Steel (Zinc plated)	A563 Gr.A
11	Name plate	Aluminum plate	B209-1100

*Resist Dezincification Material (Toyo copper alloy Pat. No. 845351)

Dimension

Mark	Size	¼	3/8	½	¾	1	1 ¼	1 ½	2	2 ½	3	4
L	in.	1.65	1.81	2.17	2.56	2.99	3.35	3.86	4.53	5.59	6.50	8.27
	mm.	42	46	55	65	76	85	98	115	142	165	210
H	in.	2.64	2.91	3.27	4.02	4.57	5.51	6.18	7.05	8.27	9.13	13.54
	mm.	67	74	83	102	116	140	157	179	210	232	344
D	in.	1.89	2.17	2.48	2.76	3.15	3.54	3.94	4.33	4.92	6.30	7.87
	mm.	48	55	63	70	80	90	100	110	125	160	200

Weight

lbs	0.40	0.51	0.64	1.12	1.59	2.54	3.64	5.78	9.50	14.73	37.32
Kgs	0.18	0.23	0.29	0.51	0.72	1.15	1.65	2.62	4.31	6.68	16.93

Working pressures

Size	Working pressure Non-shock		Test pressure		
	Saturated steam	Cold water, Oil, Gas	Shell (Water)	Seat (Air)	
¼ to 3	Psig	150	300	450	80
	Bar	10.3	20.7	31.0	5.6
4	Psig	150	225	340	80
	Bar	10.3	15.5	23.5	5.6

Note : 1. Stem materials are as follows:

ASTM B21-C47940 applied to British standard pipe threaded valves.

ASTM B505-C83600 applied to American standard pipe threaded valves.

2. End threads conform to American or British standard pipe threads.

3. These valves conform to the requirements of MSS SP-80 Type 1

*Design and materials are subject to change without notice.