

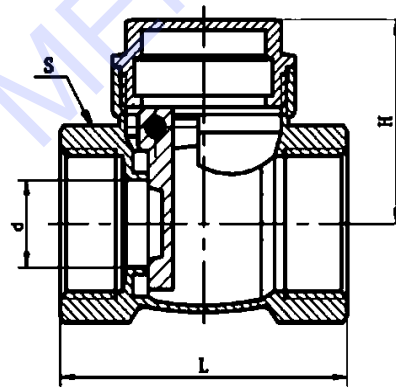
# CHECK VALVE



## BRASS SWING CHECK VALVE SCREWED ENDS

### FEATURE AND APPLICATION

- Pipe Thread To ISO228
- The valve are designed to prevent reverse flow automatically
- T-Pattern
- Swing type disc
- Screwed-in cover
- Applicable Medium : Water, Oil, Gas
- Screwed end BSPT Connection
- Max.Working Pressure : 232 PSI (16 Bar)
- Max.Working Temperature : -10 °C To 120 °C
- Size Range : 1/2" - 4"



### Bill of Materials

Seqeybce	Description	Material	Sizes
1	Body	Brass CW617N	All
2	Cap	Brass CW617N	All
3	Disc	Brass CW617N	All
4	Hinge	Brass CW617N	All
5	Hinge Pin	Stainless Steel 2Cr13	All

### Dimensions

mm

DN	INCH	L	H	d
15	1/2"	46.5	33	12
20	3/4"	52	35	17
25	1"	62	41.5	22
32	1-1/4"	69.5	49.5	28
40	1-1/2"	72	51.5	32
50	2"	83	58.5	41
65	2-1/2"	106	75	49
80	3"	136	84	68
100	4"	166	100.5	91

