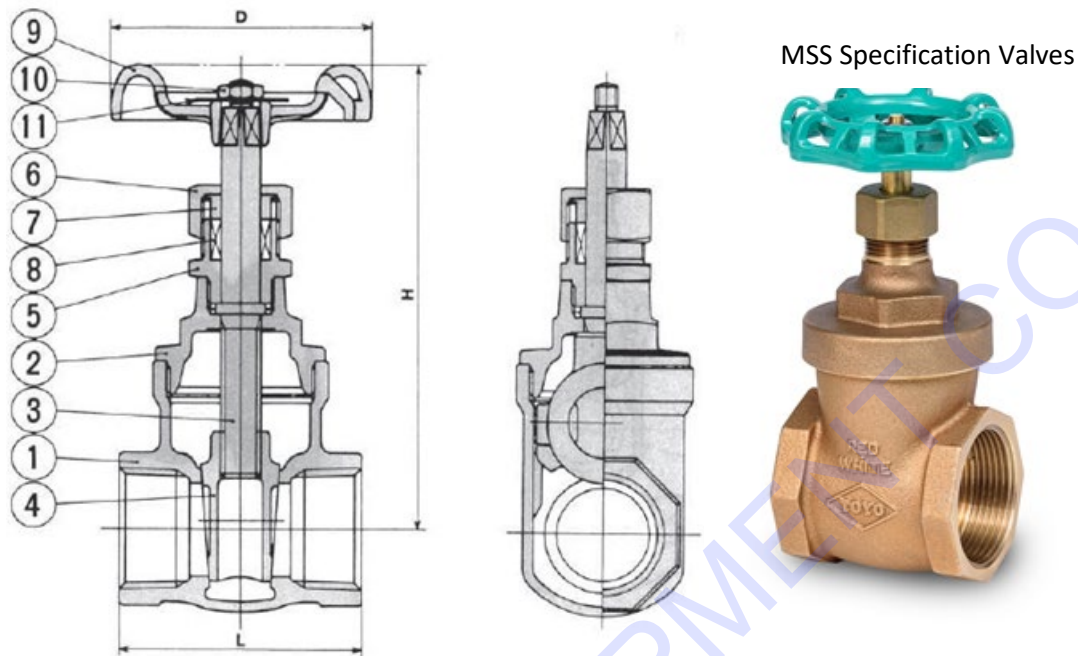


Bronze Gate Valves : Model 204A

Non-rising stem, screwed bonnet, solid wedge disc, screwed ends.



Material

No.	Name of parts	ASTM Specification	
1	Body	Cast Bronze B62-C83600	
2	Bonnet	Cast Bronze B62-C83600	
3	Stem	Copper alloy rod* Or cast bronze (Note 1) B21-C47940 or B505-C83600	
4	Disc	3/8	Copper alloy rod* B21-C47940
		1/2 - 4	Cast bronze B62-C82600
5	Stuffing box	3/8 - 2 1/2	Brass rod B16-C36000
		3 & 4	Cast bronze B62-C83600
6	Packing nut	3/8 - 2 1/2	Forged brass B283-C37700
		3 & 4	Cast bronze B62-C83600
7	Gland	Forged brass	B124-C37700
8	Gland packing	Non-asbestos packing T#2996-NA	
		3/8 & 1/2	Zinc alloy die casting B86-Z33520
9	Handwheel	3/8 - 3	Alluminium alloy die casting B85-A03840
		4	Ductile iron A536 Gr.65-45-12
10	Wheel nut	Steel (Zinc plated)	A563 Gr.A
11	Name plate	Aluminum plate	B209-1100

*Resist Dezincification Material (Toyo copper alloy Pat. No. 845351)

Dimension

Mark	Size	3/8	1/2	3/4	1	1 ¼	1 ½	2	2 ½	3	4
	L	in.	1.77	1.97	2.20	2.56	2.83	3.11	3.35	4.49	5.12
	mm.	45	50	56	65	72	79	85	114	130	170
H	in.	3.58	3.78	4.33	4.88	5.63	6.46	7.6	9.76	11.06	13.94
	mm.	91	96	110	124	143	164	193	248	281	354
D	in.	1.89	2.17	2.48	2.76	3.15	3.54	3.94	4.92	5.51	7.09
	mm.	48	55	63	70	80	90	100	125	140	180

Weight

lbs	0.66	0.86	1.19	2.07	2.54	3.73	5.69	11.29	16.87	36.09
Kgs	0.30	0.39	0.54	0.94	1.15	1.69	2.58	5.12	7.65	16.37

Working pressures

Size	Working pressure Non-shock		Test pressure		
	Saturated steam	Cold water, Oil, Gas	Shell (Water)	Seat (Air)	
3/8 to 3	Psig	150	300	450	80
	Bar	10.3	20.7	31.0	5.5
4	Psig	150	225	450	80
	Bar	10.3	15.5	31.0	5.5

Note: 1. Stem materials are as follows:

ASTEM B21-C47940 applied to British standard pipe threaded valves.

ASTEM B505-C83600 applied to American standard pipe threaded valves.

1. End threads conform to the American, British or Germany standard pipe threads.
2. These valves conform to the requirements of MSS SP-80.

*Design and materials are subject to change without notice.