

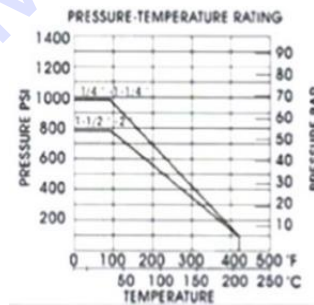
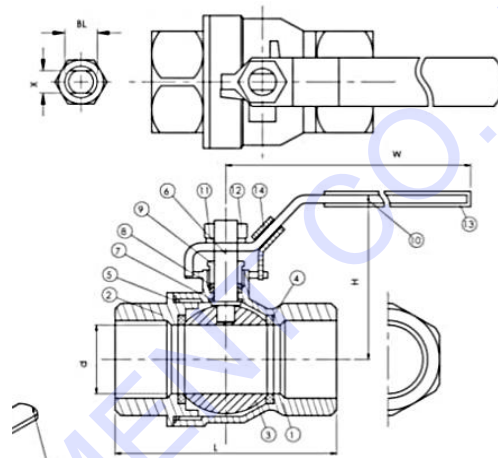
STAINLESS STEEL BALL VALVE



2-PC BALL VALVE FULL PORT SCREWED ENDS

FEATURE AND APPLICATION

- Inspection & testing according to API 598
- Investment cast benefits high quality casting
- 2-Piece body design, Full port
- Blow-out proof stem.
- Applicable Medium : Water, Oil, Gas, Steam, Chemical
- Screwed end BSPT Connection
- Lever Handle Operation
- Max.Working Pressure : 1000 PSI (69 Bar)
- Max.Working Temperature : -10 °C To 180 °C
- Size Range : 1/4" - 3"



Bill of Materials

Sequebce	Description	Material	Sizes
1	Body	SUS 316	All
2	Ball Seat	PTFE	All
3	Ball	SUS 316	All
4	Body Gasket	PTFE	All
5	Cap	SUS 316	All
6	Stem	SUS 316	All
7	Thrust Washer	PTFE	All
8	Stem PackingGland Nut	PTFE	All
9	Gland Nut	SUS 304	All
10	Handle	SUS 305	All
11	Spring Washer	SUS 306	All
12	Nut	SUS 307	All
13	Lock Devlce	SUS 308	All
14	Handle Cover	Plastic	All

Dimensions

mm					
DN	INCH	D	L	H	W
8	1/4"	11.6	52	50	100
10	3/8"	12.5	52	50	100
15	1/2"	15	57	53	100
20	3/4"	20	65	64	115
25	1"	25	78	66	150
32	1-1/4"	32	91	79	150
40	1-1/2"	40	104	83	180
50	2"	50	126	94	180
65	2-1/2"	65	158	136	245
80	3"	80	186	149	245

