

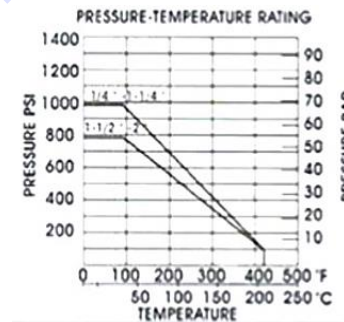
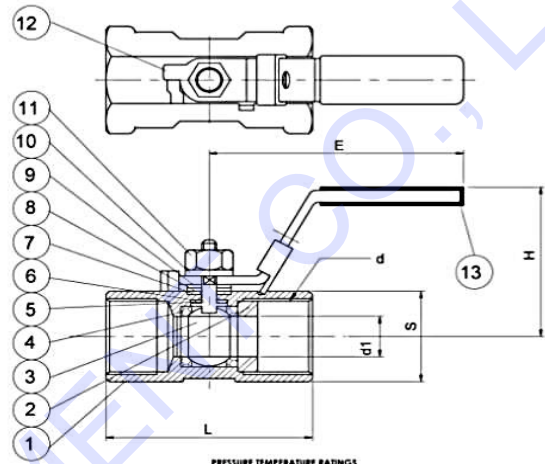
STAINLESS STEEL BALL VALVE



1-PC BALL VALVE REDUCED PORT SCREWED ENDS

FEATURE AND APPLICATION

- Inspection & testing according to API 598
- Investment cast benefits high quality casting
- 1-Piece body design, Reduced port
- Blow-out proof stem.
- Applicable Medium : Water, Oil, Gas, Steam, Chemical
- Screwed end BSPT Connection
- Lever Handle Operation
- Max.Working Pressure : 1000 PSI (69 Bar)
- Max.Working Temperature : -10 °C To 180 °C
- Size Range : 1/4" - 2"



Bill of Materials

| Seqeybce | Description | Material | Sizes |
|----------|---------------|------------|-------|
| 1 | Body | SUS 316 | All |
| 2 | Insert | SUS 316 | All |
| 3 | Ball | SUS 316 | All |
| 4 | Seat | PTFE | All |
| 5 | Stem | SUS 316 | All |
| 6 | Thrust Washer | PTFE | All |
| 7 | Stem Pasher | PTFE | All |
| 8 | Glaknd Washer | SUS 304 | All |
| 9 | Glaknd Washer | SUS 304 | All |
| 10 | Spring Washer | SUS 304 | All |
| 11 | Nut | SUS 304 | All |
| 12 | Handle | SUS 304 | All |
| 13 | Handle Sleeve | Vinyl Grip | All |

Dimensions

| DN | INCH | D1 | L | H | E | S |
|----|--------|------|------|------|-------|------|
| 8 | 1/4" | 5 | 39 | 36.5 | 69 | 17 |
| 10 | 3/8" | 7.2 | 44 | 37.5 | 79 | 21 |
| 15 | 1/2" | 9.2 | 56.5 | 40 | 110 | 25 |
| 20 | 3/4" | 12.5 | 59 | 45.3 | 108 | 31.5 |
| 25 | 1" | 15 | 71 | 48 | 112 | 38 |
| 32 | 1-1/4" | 20 | 78 | 53 | 112 | 48 |
| 40 | 1-1/2" | 25 | 83 | 60.5 | 157 | 53 |
| 50 | 2" | 32 | 100 | 67.5 | 155.5 | 64 |

