

FREE FLOAT STEAM TRAP

Model: J3X (Free Float Steam Trap with thermostatic air venting)

Features

A reliable and durable ductile cast iron or cast iron steam trap with tight shut-off for use on small-size process equipment.

1. Self-modulation free float provides continuous, smooth, low velocity condensate discharge as process loads vary.
2. Only one moving part, the free float, prevents concentrated wear and provides long maintenance-free service life.
3. Thermostatic capsule (X-element) with "fail open" feature vents air automatically until close-to-steam temperature.
4. Built-in screen with large surface area ensures extended trouble-free operation.
5. Easy, inline access to internal parts simplifies cleaning and reduces maintenance costs.



Specifications

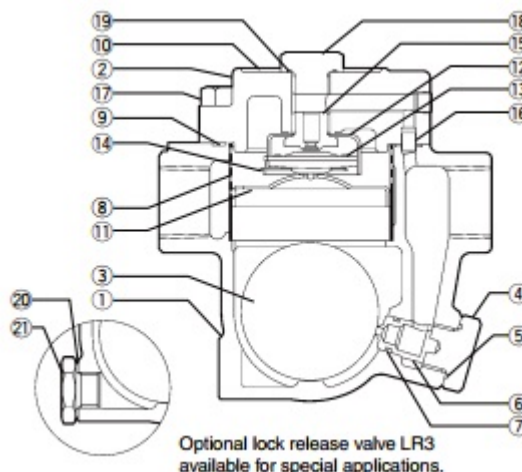
Model	J3X	JF3X
Connection	Screwed	Flanged
Size (mm)	15, 20, 25	
Orifice No.	2, 5, 8, 10, 21	2, 5, 8, 10, 16
Maximum Operating Pressure (MPaG) PMO	0.2, 0.5, 0.8, 1.0, 2.1	0.2, 0.5, 0.8, 1.0, 1.57
Maximum Differential Pressure (MPa) ΔPMX	0.2, 0.5, 0.8, 1.0, 2.1	0.2, 0.5, 0.8, 1.0, 1.57
Minimum Operating Pressure (MPaG)	0.01	
Maximum Operating Temperature (°C) TMO	220	
Subcooling of X-element Fill (°C)	Up to 6	
Type of X-element	B	

PRESSURE SHELL DESIGN CONDITIONS (NOT OPERATING CONDITIONS): 1Mpa = 10.197 kg/cm²

Maximum Allowable Pressure (MPaG) PMA : 2.1 (J3X), 1.57 (JF3X)

Maximum Allowable Temperature (°C) TMA : 220

CAUTION : To avoid abnormal operation, accidents of serious injury, Do Not use this product outside of the specification range. Local regulations may restrict the use of this product to below the conditions quoted.



No.	Description	Materials	JIS	ASTM/AISI*
1	Body (J3X)	Ductile Cast Iron	FCD450	A536
	Body (JF3X)	Cast Iron	FCV410	A842 Gr.400
2	Cover	Ductile Cast Iron	FCD450	A536
3 (F)	Float	Stainless Steel	SUS316L	AISI316L
4	Orifice Holder Plug	Carbon Steel	S25C	AISI1025
5 (MR)	Orifice Plug Gasket	Fluorine Resin	PTFE	PTFE
6 (R)	Orifice	-	-	-
7 (MR)	Orifice O-Ring	Ethylene Propylene Rubber	EPR	D2000CA
8 (R)	Screen inside/outside	Stainless Steel	SUS430/304	AISI430/304
9 (MR)	Cover Gasket	Fluorine Resin	PTFE	PTFE
10	Nameplate	Stainless Steel	SUS304	AISI304
11 (R)	Float Cover	Stainless Steel	SUS304	AISI304
12 (R)	X-element Guide	Stainless Steel	SUS304	SUS304
13 (R)	X-element	Stainless Steel	-	-
14 (R)	Spring Clip	Stainless Steel	SUS304	AISI304
15 (R)	Air Vent Valve Seat	Stainless Steel	SUS420F	AISI420F
16	Connector	Stainless Steel	SUS416	AISI416
17	Cover Bolt	Carbon Steel	S45C	AISI1045
18	Plug	Carbon Steel	S25C	AISI1025
19(MR)	Plug Gasket	Fluorine Resin	PTFE	PTFE
20	Drain Plug Gasket**	Soft Iron	SUYP	AISI1010
21	Drain Plug**	Carbon Steel	S25C	AISI1025

*Equivalent **Option

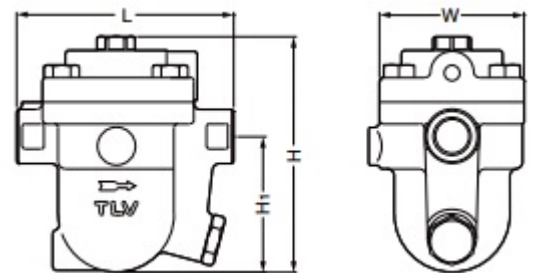
Replacement kits available : (M) maintenance parts, (R) repair parts, (F) float

Dimensions

J3X Screwed (mm)

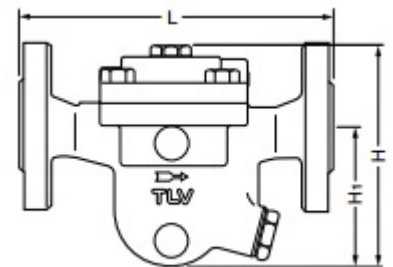
Size	L	H	H1	W	Weight (kg)
15	120	130	75	80	2.7
20			73		2.8
25			75		3.0

*Rc (PT), other standards available



JF3X Flanged (mm)

Size	L				H	H1	W	Weight* (kg)
	ASME Class							
	125FF	(150RF)	250RF	(300RF)				
(15)	-	175	-	175	127	79		3.8
(20)	-	195	-	195	133	89	80	5.1
25	203	215	215	219	140	91		6.0



() No ASME standard exists for cast iron; machined to fit steel flanges

Class 125 FF can connect to 150 RF, 250 RF can connect to 300 RF

Other standards available, but length and weight may vary

*Weight is for Class 250 RF / 300 RF