

POWER TRAP

Model: GT10 (Mechanical Pump For Condensate Removal And Recovery)

Features

Pump/trap with built-in steam trap for a wide range of applications: drainage of heat exchangers, flash steam recovery systems and non-vented receivers such as low-pressure stages of turbines and absorption chillers, often operating under vacuum conditions.

1. Handles high-temperature condensate without cavitation.
2. No electric power or additional level controls required, hence INTRINSICALLY SAFE.
3. Pump will operate with a low filling head.
4. Durable nickel-based alloy compression coil spring.
5. Easy, inline access to internal parts simplifies cleaning and reduces maintenance costs.
6. High-quality stainless steel internals and hardened working surfaces ensure reliability.



Specifications

Model		GT10		
Body Material		Cast Iron	Cast Steel	
Connection	Pumped Medium Inlet & Outlet	Screwed	Screwed	Flanged
	Motive Medium & Pump Exhaust	Screwed	Screwed	Flanged
Size (mm)	Pumped medium Inlet	80/50		50 / 50, 80 / 50
	Motive Medium Inlet	25		
	Pump Exhaust Outlet	25		
Maximum Operating Pressure (MPaG) PMO		1.05		
Maximum Operating Temperature (°C) TMO		185		
Motive Medium Pressure Range (MPaG)		0.03 – 1.05		
Maximum Allowable Back Pressure		0.05 MPa less than motive medium pressure used		
Volume of Each Discharge Cycle (ℓ)		Approximately 30		
Motive Medium*		Steam, compressed air or nitrogen		
Pumped Medium**		Steam condensate or water		

*Do not use with toxic, flammable or otherwise hazardous fluids.

1MPa = 10.197 kg/cm²

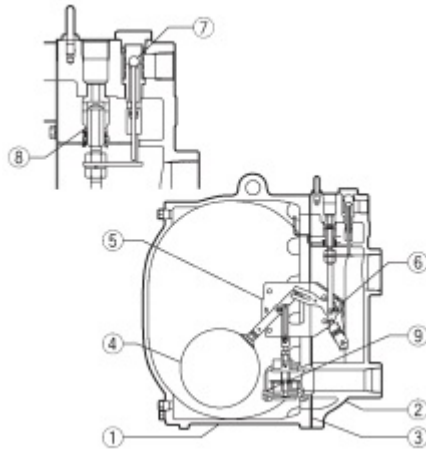
**Do not use for fluids with specific gravities under 0.85 or over 1, or with toxic, flammable or otherwise hazardous fluids.

PRESSURE SHELL DESIGN CONDITIONS (NOT OPERATING CONDITIONS):

Maximum Allowable Pressure (MPaG) PMA: 1.4 (Cast Iron), 1.6 (Cast Steel)

Maximum Allowable Temperature (°C) TMA: 220

CAUTION : To avoid abnormal operation, accidents of serious injury, Do Not use this product outside of the specification range. Local regulations may restrict the use of this product to below the conditions quoted.



No.	Description	Materials	JIS	ASTM/AISI*	
1	Body	Cast Iron	FC250	A126 Cl.B	
		Cast Steel**	-	A216 Gr.WCB	
2	Cover	Cast Iron	FC250	A126 Cl.B	
		Cast Steel**	-	A216 Gr.WCB	
3	Cover Gasket	Graphite Compound	-	-	
4	Float	Stainless Steel	SUS316L/303	AISI316L/303	
5	Lever Unit	Stainless Steel	-	-	
6	Snap-action Unit	Stainless Steel	-	-	
7	Motive Medium Intake Valve Unit	Intake Valve	Stainless Steel	SUS303/440C	AISI303/440C
		Valve Seat	Cast Stainless Steel / Stainless Steel	-/SUS440C	A351 Gr.CF8/AISI440
8	Exhaust Valve Unit	Exhaust Valve	Stainless Steel	SUS303/440C	AISI303/440C
		Valve Seat	Stainless Steel	SUS420F	AISI420F
9	Trap Unit	Stainless Steel	-	-	
10	Check Valve***	CK3MG	Cast Stainless Steel	-	A351 Gr.CF8
		CKF3MG	Cast Stainless Steel	-	A351 Gr.CF8

*Equivalent **Option: Cast Stainless Steel

***Not shown, model depends on GT10 connection: CK3MG for screwed, CKF3MG for flanged

Dimensions

