

Air vent valve

Model : AF-4 (for Building Equipments, Factory Equipment etc.)

Air vent valve for liquids. Automatically discharge air accumulated in piping and sealed tank, and smoothen the flow of fluid.

When there is negative pressure and internal liquid level decreases, air vent valve will open to absorb air.



Features

- Head swinging valve disc for better air tightness.
- Comparatively larger discharge amount.
- Simple structure allowing easy maintenance.
- Nylon coating of AF-4CN, highly rust resistant.

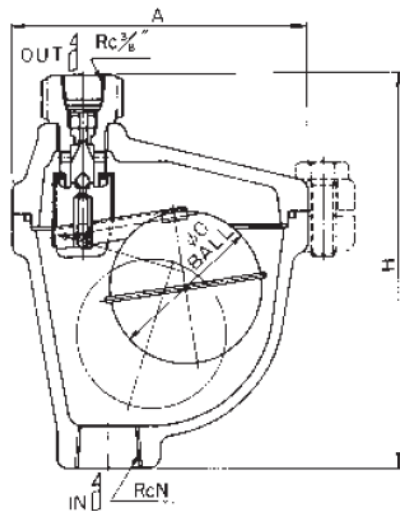
Specifications

Type	Standard item	Nylon coating	Hot water
Model name	AF-4S	AF-4CN	AF-4M
Code name	AF4S-G	AF4CN-G	AF4M-G
Applicable fluid	Water, hot water & oil (S.G.:0.9 or over)	Water & hot water	Water, hot water & oil (S.G.:0.9 or over)
Fluid temperature	5~90°C	5~60°C	5~150°C
Applicable pressure	Max. 1.0 MPa		
End connection	Screwed JIS Rc		
Materials	Body(Cast iron), Disc & Float (Stainless), Seat (Brass)		Body (Cast iron) Disc, Float & Seat (Stainless steel)
Valve body pressure test	Hydraulic 1.75 MPa		
Painting or coating for Body	Inside: Rust proof oil Outside: Metallic blue	Body & Cover: Nylon coating	Inside: Rust proof oil Outside: Heat-resistant silver paint

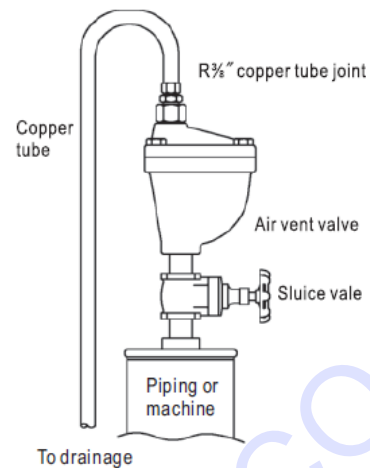
*In case of avoiding the rust, select AF-4CN, AF-5N, 10 and 17N Type Air vent valve.

Construction (AF-4S, 4N Type)

The structure of AF-4M type is slightly different from the structure shown in the figure.



Piping Example



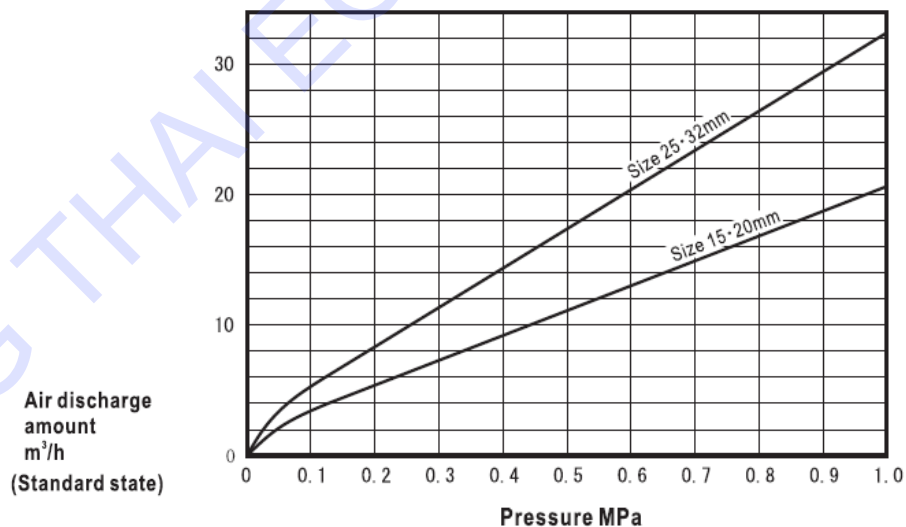
Dimensions

(mm.)

Size	A	H	C	d	Mass(kg)
15(1/2")	114	154(150)	60	1/2"	3(2.8)
20(3/4")	114	154(150)	60	3/4"	
25(1")	130	169(165)	70	1"	4(3.8)
32(1 1/4")	130	169(165)	70	1 1/4"	

*Figures in () are for AF-4M Type.

Air Discharge Chart



Point for installation

- Install the product vertically to pipe (deviation of verticality: 5°).
- Before installation, remove all foreign matters in pipe and equipment.
- Install stop valve at the inlet side to allow water supply to be stopped before maintenance works. Use sluice valve or ball valve that can be switched between water and air.
- The outlet side should be piped to waterspout as a countermeasure for possible water leakage. The end of the piping for discharge should not be submerged into water.
- Apply thermal insulation on air vent valve if :
 - ① There is risk of freezing.
 - ② For AF-4CN, there is a temperature difference of 40°C or more between the valve and ambient temperature.