

Noiseless Heater

Model : QH-2

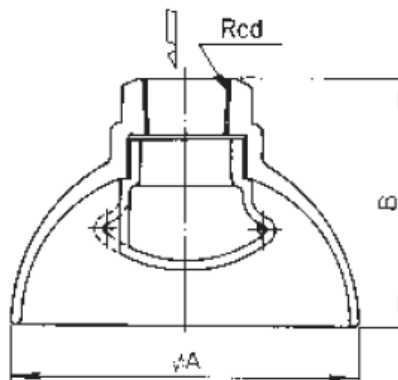
This product can be used to reduce noise and vibration that occur when steam is blown into water for making hot water. It can also be used for heating bathtub or other open type hot water tank (95°C or below).



Specifications

Model name	QH-2	
Code name	QH2-F	QH2-D
Applicable pressure	Max. 0.7 MPa	
Warning sound temperature limit	95°C	
End connection	Screwed JIS Rc	
Materials	Cast bronze	Stainless steel

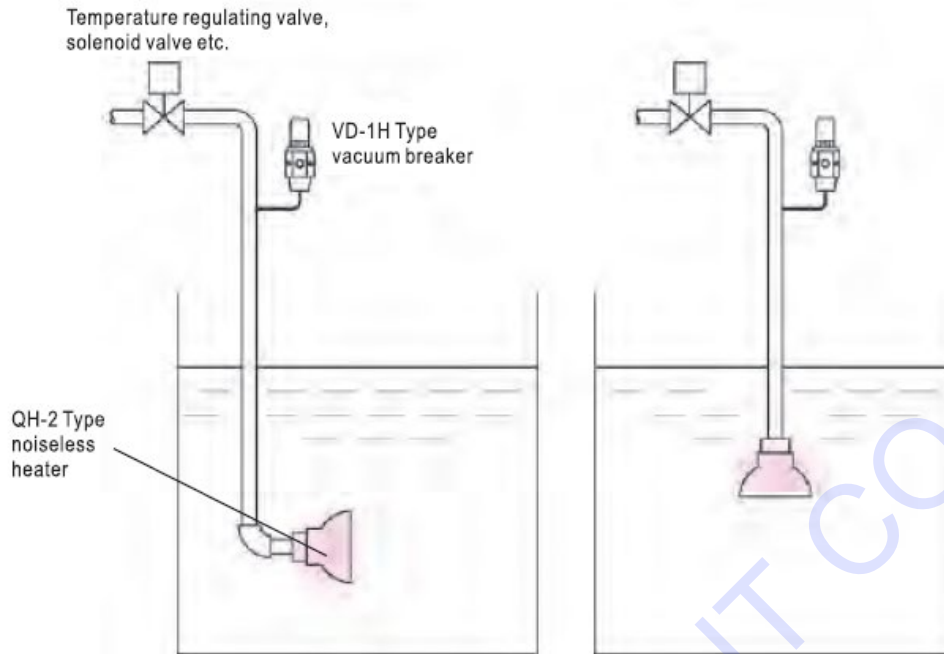
Dimensions



(mm.)

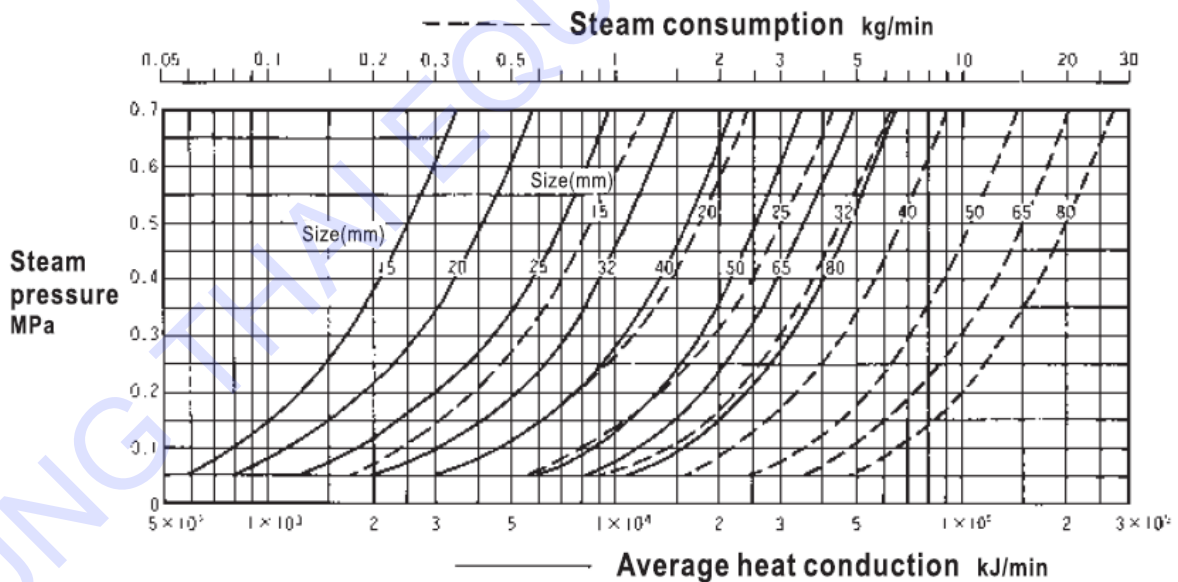
Size	15(½")	20(¾")	25(1")	32(1¼")	40(1½")	50(2")	65(2½")	80(3")
A	70	94	133	175	204	229	260	280
B	57	72	195	113	137	156	180	200
d	½"	¾"	1"	1¼"	1½"	2"	2½"	3"
Mass (kg)	0.36	0.77	1.8	3.2	4.3	7.4	11.2	14

Piping example



- Note:
1. Install noiseless heater at least 300 mm away from the wall or bottom of the tank.
 2. Install VD-1H Type vacuum breaker valve for preventing backflow of water that may occur when steam supply is stopped.

Capacity chart



HOW TO USE THE CHART

- The dashed line (- -) stands for steam consumption.
- The solid line (—) stands for average heat conduction.