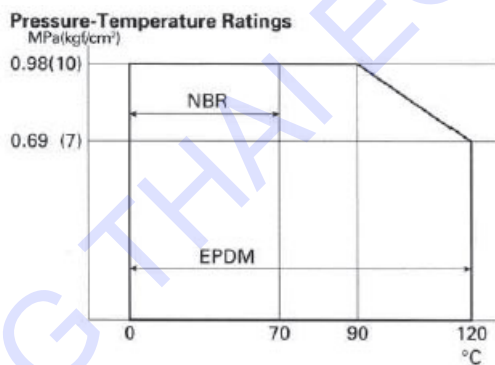


Aluminum Alloy Butterfly Valves: Model 550LA

Designed to JIS B2032 and ISO5752 standard, Dew formation-proof, Min.62 mm long neck for thermal insulation, Aluminum alloy light weight wafer body, 316 stainless steel disc, EPDM seat, 403 stainless steel stem, with wormgear operator.



Working pressure & test pressure



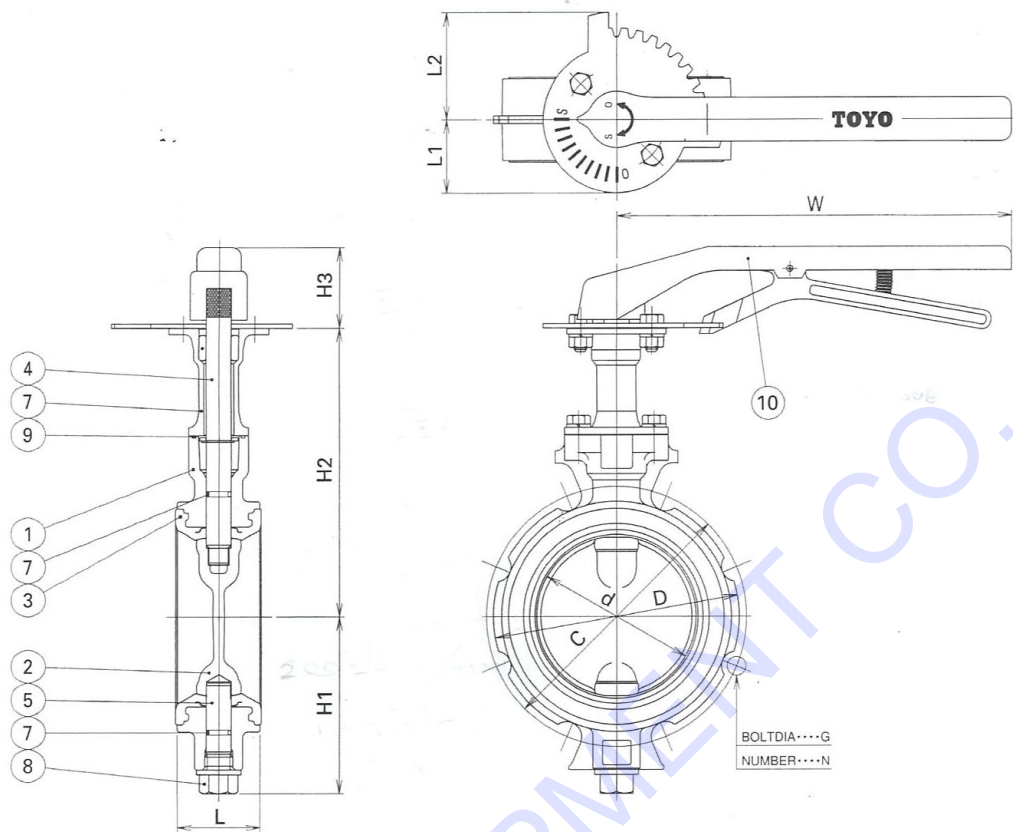
Working pressure Non-shock		Hydrostatic test pressure	
		Shell	Seat
MPa	0.98	1.5	1.1
Kgf/cm ²	10	1.5	1.1

Material

No.	Name of parts	ASTM Specification	
1	Body	Aluminum alloy	B85-SC102A
2	Disc	Stainless steel	A351-CF8M
3	Rubber liner	EPDM	
4	Upper stem	Stainless steel	A276-403
5	Lower stem	Stainless steel	A276-403
6	Yoke	Stainless steel	A351-CF8
7	Oring	EPDM	
8	Plug	Aluminum alloy	B85-SC102A
9	Oring	NBR	
10	Lever unit		

Flow Coefficient (Cv)

Size	Full opening
2	220
2 ½	420
3	630
4	990
5	1500
6	1940
8	4200
10	6800
12	7600



Note :

1. End connections conform to JIS 10K and ANSI B 16.1 class 125 cast iron flanges, flat and smooth face.
2. Face to face dimensions are according to JIS B 2032 and ISO-5752.

Dimension

MM.

Size (in)	Mark (mm)	d	L	H1	H2	H3	JIS 10K Flange				L1	L2	W	Gear unit	Weight	
							C	D	N	G					lb	kg.
1 - 1/2	40	42	33	70	145	51	105	86	4	M16	47	68	250	L - 1A	3.1	1.4
2	50	52	43	82	145	51	120	101	4	M16	47	68	250	L - 1A	3.7	1.7
2 - 1/2	65	67	46	90	157	51	140	121	4	M16	47	68	250	L - 1A	4.6	2.1
3	80	80	46	99	165	51	150	131	8	M16	47	68	250	L - 1A	5.1	2.3
4	100	102	52	112	183	51	175	156	8	M16	47	68	250	L - 1A	6.2	2.8
5	125	126	56	132	196	60	210	187	8	M20	63	86	330	L - 2A	10.6	4.8
6	150	150	56	146	214	60	240	217	8	M20	63	86	330	L - 2A	13.2	6.0