

Noiseless heater

Model : QH-1

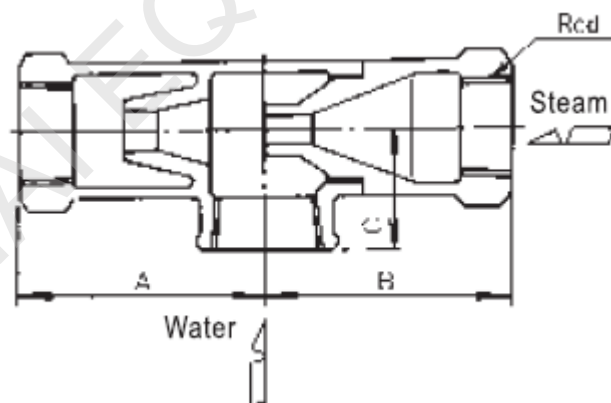
This product can be used to reduce noise and vibration that occur when steam is blown into water for making hot water. It can also be used for heating bathtub or other open type hot water tank (66°C or below).



Specifications

Model name	QH-1	
Code name	QH1-F	QH1-D
Applicable pressure	Max. 0.7 MPa	
Warning sound temperature limit	66°C	
End connection	Screwed JIS Rc	
Materials	Cast bronze	Stainless steel

Dimensions

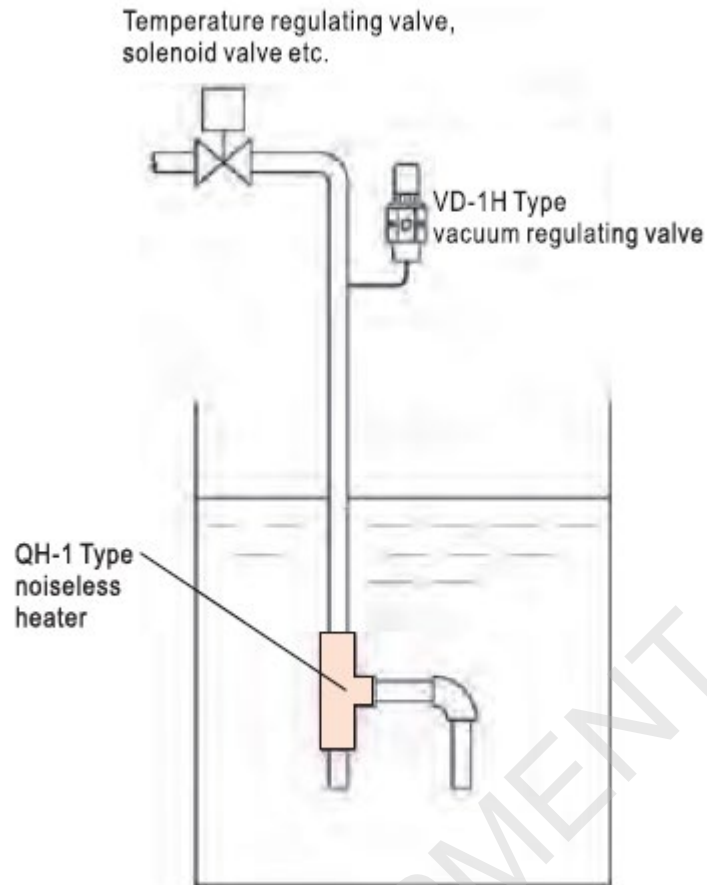


Depending on the size and material of valve, the structure may vary

(mm)

Size	15(½")	20(¾")	25(1")	32(1¼")	40(1½")	50(2")	65(2½")	80(3")
A	54	62	75	93	110	140	155	180
B	54	63	75	91	109	130	154	170
C	25	31	37	45	50	65	85	88
d	½"	¾"	1"	1¼"	1½"	2"	2½"	3"
Mass (kg)	0.36	0.55	0.86	1.8	2.4	4	11	14

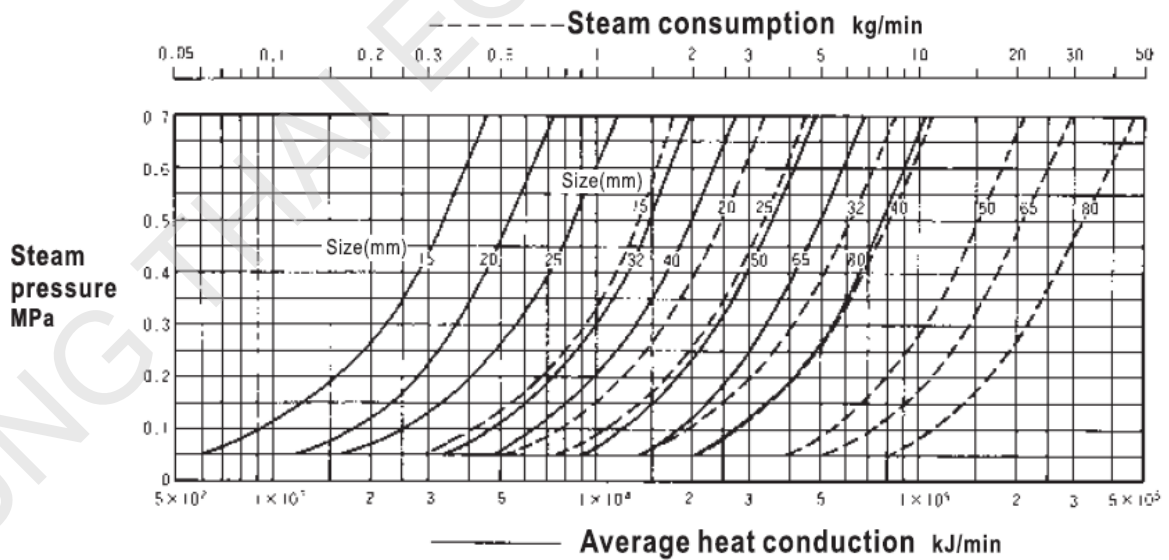
Piping example



Note:

1. Submerge the Noiseless heaters into water. If this is not possible, place it as near as possible to the surface of water.
2. Install VD-1H Type vacuum breaker for preventing backflow of water that may occur when steam supply is stopped.

Capacity chart



HOW TO USE THE CHART

The dashed line (---) stands for steam consumption.

The solid line (—) stands for average heat conduction.