

DIRECT-ACTING PRESSURE REDUCING VALVE FOR STEAM AND AIR

Model: DR20

Features

Extremely compact pressure reducing valve for use on small process equipment.

1. Exceptionally light and compact PRV.
2. Wetted parts are of all stainless steel construction with high durability and corrosion resistance for long service life.
3. Stable secondary pressure.
4. High flow rate for its class.
5. Capable of a 30:1 pressure reduction.
6. Easy to operate and adjust.
7. Built-in screen ensures extended trouble-free operation.
8. Easy, in-line access to internal parts simplifies cleaning and reduces maintenance cost.



Specifications

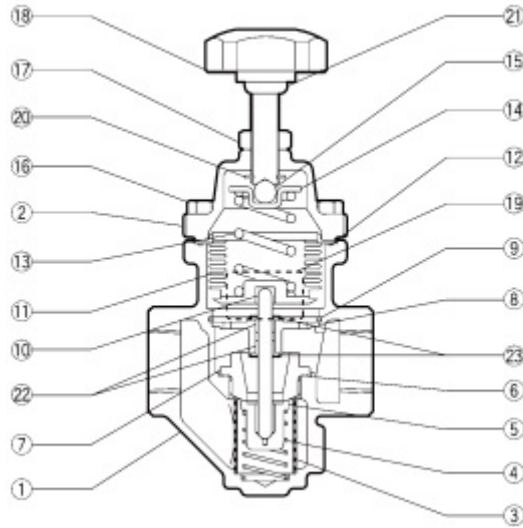
Model	DR20-2	DR20-6	DR20-10
Connection	Screwed		
Size (mm)	15, 20, 25		
Max. Operating Press. (MPaG) PMO	1.6		
Max. Operating Temp. (°C) TMO	220		
Primary Pressure Range (MPaG)	0.2 – 1.6		0.6 – 1.6
Adjustable Pressure Range (MPaG)	0.014 – 0.2, but not less Than 1/30 of primary pressure	0.18 -0.6	0.54 – 1.0
	Secondary pressure must not exceed 90% of primary pressure		

PRESSURE SHELL DESIGN CONDITIONS (NOT OPERATING CONDITIONS): 1MPa = 10.197 kg/cm²

Maximum Allowable Pressure (MPaG) PMA: 2.0

Maximum Allowable Temperature (°C) TMA: 220

CAUTION : To avoid abnormal operation, accidents of serious injury, Do Not use this product outside of the specification range. Local regulations may restrict the use of this product to below the conditions quoted.



No.	Description	Materials	JIS	ASTM/AISI*
1	Body	Cast Stainless Steel	SCS13A	A351 Gr. CF8
2	Cover	Cast Stainless Steel	SCS13A	A351 Gr. CF8
3	Screen	Stainless Steel	SUS430	AISI430
4	Coil Spring	Stainless Steel	SUS304	AISI304
5	Main Valve	Stainless Steel	SUS420F	AISI420F
6	Valve Seat Gasket	Fluorine Resin	PTFE	PTFE
7	Valve Seat	Stainless Steel	SUS420F	AISI420F
8	Spacer	Cast Stainless Steel	-	A351 Gr. CF8
9	Snap Ring	Stainless Steel	SUS304	AISI304
10	Valve Stem	Stainless Steel	SUS303	AISI303
11	Bellows	Stainless Steel	SUS321	AISI321
12	Cover Gasket	Fluorine Resin	PTFE	PTFE
13	Coil Spring	Stainless Steel	SUS304	AISI304
14	Spring Guide	Carbon Tool Steel	SPCE	A109
15	Steel Ball	High-Cr Bearing Steel	SUJ2	A485
16	Cover Bolt	Stainless Steel	SUS304	AISI304
17	Locknut	Stainless Steel	SUS304	AISI304
18	Adjustment Handle	Stainless Steel	SUS304	AISI304
19	Nameplate	Stainless Steel	SUS304	AISI304
20	Retaining Ring	Stainless Steel	SUS304	AISI304

*Equivalent

Dimensions

DR20 Screwed*

(mm)

Size	L	W	H	H1	Weight (kg)
15	95	69	185	130	1.9
20					1.8
25					1.8

*Rc(PT), other standards available

