

Cast Iron Dual Plate Check Valve: Model 442F



Material

No.	Name of parts	ASTM Specification	
1	Body	Cast iron	A126 Class B
2	Body seat	Buna-N (standard material)	
3	Plate	Bronze	B584-C83600
4	Spring	Stainless steel	A313 Type 316
5	Hinge pin	Stainless steel	A276 Type 304
6	Plug	Steel	A576 Grade 1025
7	Plate washer	Teflon®	
8	Body washer	Teflon®	
9	Spring washer	6 – 20	Teflon®
10	Eye bolt	6 – 20	Steel
11	Stopper pin	Stainless steel	A276 Type 304

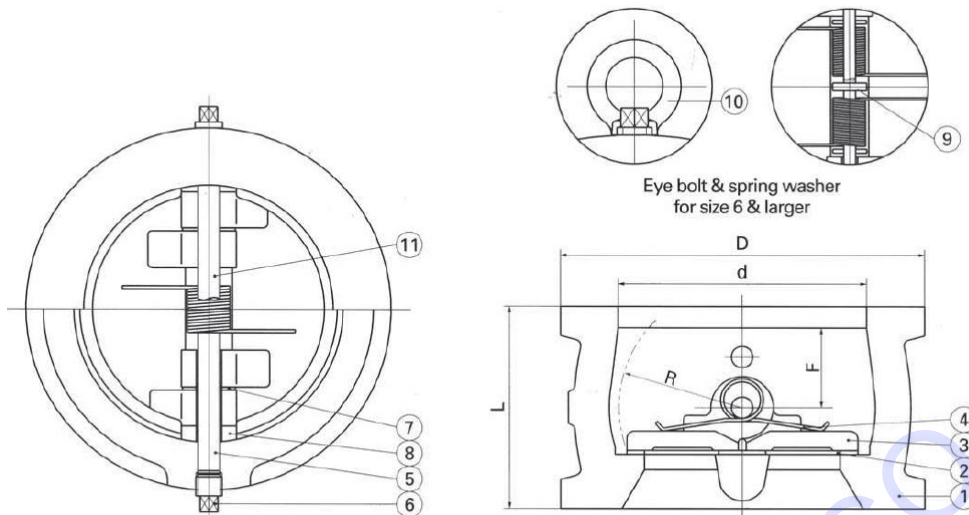
®Dupont's tradename

Body seat material

No.	Name of parts	
2	Buna-N	32 to 176°F (0 to 80°C)
	EPDM	-14 to 212°F (-10 to 100°C)
	EPM(VITON®)	-22 to 302°F (-30 to 150°C)

Working pressures

Working pressure Non-shock, water	Hydrostatic Test pressure	
	Shell	Seat
Psig	200	350
Bar	13.7	24.1
		210-7
		14.5-0.5



Dimension

Size	Mark	D	d	L	R	F	Weight	
							lb	Kg.
2	in.	4.13	2.40	2.13	1.26	1.06	7	3
	mm.	105	61	54	32	27		
2 ½	in.	4.88	2.87	2.13	1.46	10.6	9	4
	mm.	124	73	54	37	27		
3	in.	5.39	3.50	2.24	1.77	1.18	11	5
	mm.	137	89	57	45	30		
4	in.	6.89	4.49	2.52	2.09	1.26	13	6
	mm.	175	114	64	53	32		
5	in.	7.76	5.55	2.76	2.64	1.30	20	9
	mm.	197	141	70	67	33		
6	in.	8.74	6.61	2.99	3.11	1.38	22	10
	mm.	222	168	76	79	35		
8	in.	10.98	8.62	3.74	4.13	1.65	42	19
	mm.	279	219	95	105	42		
10	in.	13.39	10.75	4.25	5.04	1.65	68	31
	mm.	340	273	108	128	42		
12	in.	16.14	12.76	5.63	6.10	2.28	123	56
	mm.	410	324	143	155	58		
14	in.	17.76	14.02	7.24	6.69	3.70	157	71
	mm.	451	356	184	170	94		
16	in.	20.24	15.98	7.52	7.68	3.50	218	99
	mm.	514	406	191	195	89		
18	in.	21.61	17.99	7.99	8.62	3.39	260	118
	mm.	549	457	203	219	86		
20	in.	23.86	20.00	8.39	9.61	3.50	397	180
	mm.	606	508	213	244	89		