

## SQUARE / RECTANGLE FENDERS

**Square fenders** are produced in various designs and sizes and they can be used for a wide range of purposes. The production takes place by means of extrusion. When compared to D- fenders, square fenders are used when a more rigid and stronger bumper is required for use in more severe conditions.

### Types

Three standard types of square fenders are available :

- SC fender. Provided with an O-shaped inner chamber
- SD fender. Provided with a D-shaped inner chamber
- Solid Square fender. Without an inner chamber

Maxwell Enterprise produces square fenders in a standard range and most common sizes are kept in stock and can be delivered at short notice. Customer specific sizes and designs can also be produced with short lead times.

Square fenders with a smaller dimension can be produced in very long lengths and in other colours (non-marking).

### Applications

As is the case with D fenders, square fenders can be used for a wide range of applications:

- workboats
- tugboats
- pilot boats
- fishing boats
- quays
- pontoons
- piers
- loading bays
- car parks



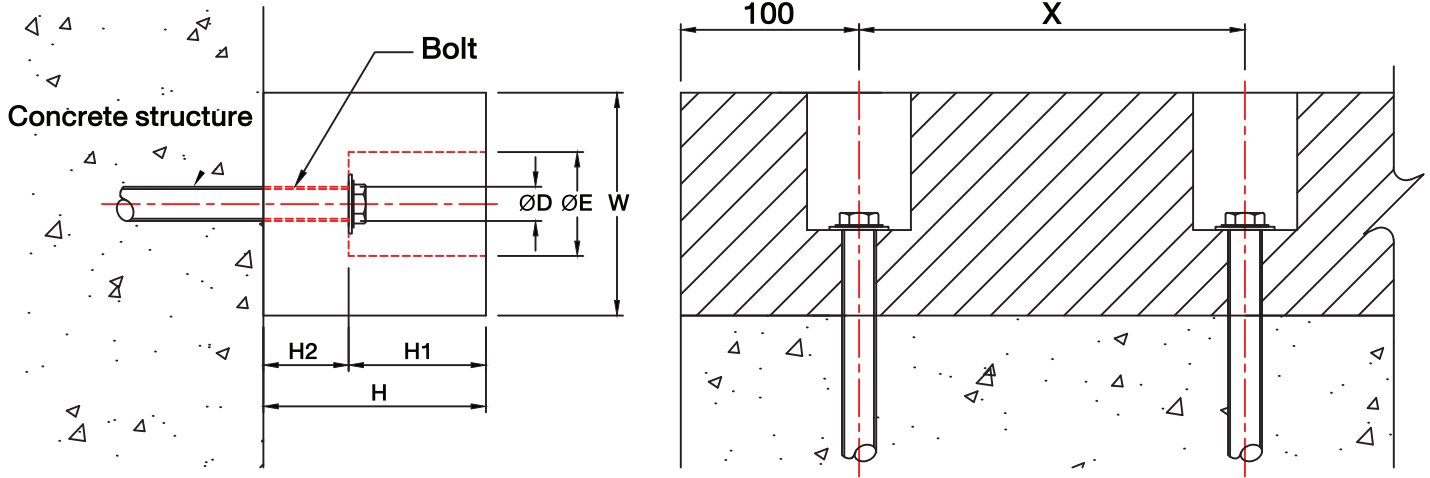
### Processing

Square fenders can be mounted in several ways by means of bolts and/or strips. The mounting holes required are made through the side or through the top and bottom of the fender. The fenders are finished in accordance with your requirements and drawings. Square fenders can also be produced vulcanised in a specific radius to ensure that it fits properly around a bow or stern of a ship.

Square fenders can be provided in specified lengths and the ends can be bevelled.

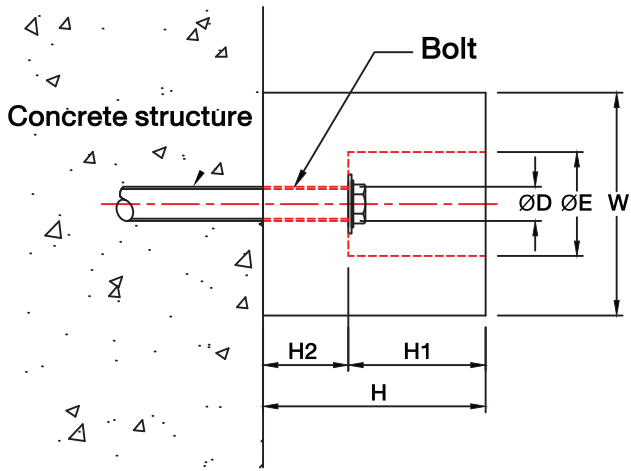


# SQUARE / RECTANGLE FENDERS DRILLING & INSTALLATION GUIDE



Type	High [mm]	Wide [mm]	Bolt Size	Bolt Length [mm]	H1 [mm]	H2 [mm]	ØM [mm]	ØE [mm]
MWE-SQF50x100	50	100	M12 [1/2"]	60	30	20	15	32
MWE-SQF50x150	50	150	M12 [1/2"]	60	30	20	15	32
MWE-SQF50x200	50	200	M12 [1/2"]	60	30	20	15	32
MWE-SQF50x250	50	250	M12 [1/2"]	60	30	20	15	32
MWE-SQF50x350	50	350	M16 [5/8"]	70	30	20	20	38
MWE-SQF55x75	55	75	M12 [1/2"]	60	33	22	15	32
MWE-SQF60x60	60	60	M12 [1/2"]	64	36	24	15	32
MWE-SQF60x200	60	200	M12 [1/2"]	64	36	24	15	32
MWE-SQF70x140	70	140	M12 [1/2"]	68	42	28	15	32
MWE-SQF70x190	70	190	M12 [1/2"]	68	42	28	15	32
MWE-SQF70x300	70	300	M16 [5/8"]	78	42	28	20	38
MWE-SQF75x150	75	150	M12 [1/2"]	70	45	30	15	32
MWE-SQF75x200	75	200	M12 [1/2"]	70	45	30	15	32
MWE-SQF80x200	80	200	M12 [1/2"]	72	48	32	15	32

# SQUARE / RECTANGLE FENDERS DRILLING & INSTALLATION GUIDE



Type	High [mm]	Wide [mm]	Bolt Size	Bolt Long [mm]	H1 [mm]	H2 [mm]	ØM [mm]	ØE [mm]
MWE-SQF100x100	100	100	M12 [1/2"]	80	60	40	15	32
MWE-SQF100x125	100	125	M12 [1/2"]	80	60	40	15	32
MWE-SQF100x130	100	130	M12 [1/2"]	80	60	40	15	32
MWE-SQF100x150	100	150	M12 [1/2"]	80	60	40	15	32
MWE-SQF100x200	100	200	M16 [5/8"]	90	60	40	20	38
MWE-SQF100x250	100	250	M16 [5/8"]	90	60	40	20	38
MWE-SQF100x300	100	300	M16 [5/8"]	90	60	40	20	38
MWE-SQF110x190	100	190	M16 [5/8"]	94	66	44	20	38
MWE-SQF125x225	125	225	M16 [5/8"]	100	75	50	20	38
MWE-SQF150x150	150	150	M16 [5/8"]	110	90	60	20	38
MWE-SQF150x300	150	300	M20 [3/4"]	130	90	60	25	46
MWE-SQF200x200	200	200	M20 [3/4"]	150	120	80	25	46

Remark : Different sizes of Square rubber fender can be made according to customer's request.