

RUBBER D FENDERS INFORMATION

D fenders are the commonly used rubber bumpers across the world and they are produced by means of extrusion in an extensive range of designs and sizes. The flat back of this type of fender facilitates the easy installation of D fender on various surfaces for the protection of ships and docks.

Types

There are three standard types of D fenders available :

- DD fender. Provided with a D-shaped inner chamber
- DC fender. Provided with an O-shaped inner chamber
- DS fender. Without an inner chamber

Maxwell Enterprise produces a wide range of D fenders in the most common sizes. D fenders are kept in stock in all sizes for fast delivery. Non-standard sizes and customer specific versions can also be produced with short lead times.

Smaller D fenders are also available in longer lengths and in various colours (non-marking).

Applications

D fenders are widely used in various sizes and designs on :

- workboats
- tugboats
- pilot boats
- fishing boats
- pontoons
- quays
- piers
- loading bays
- car parks trucks
- building interiors



Processes

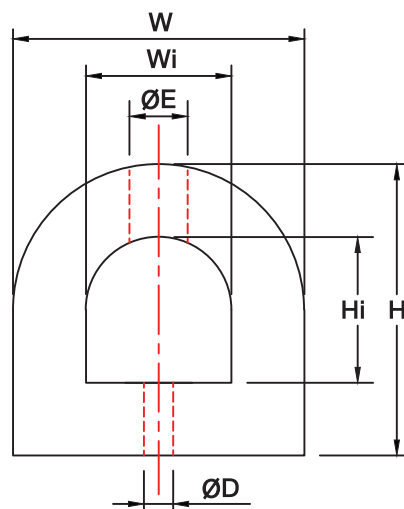
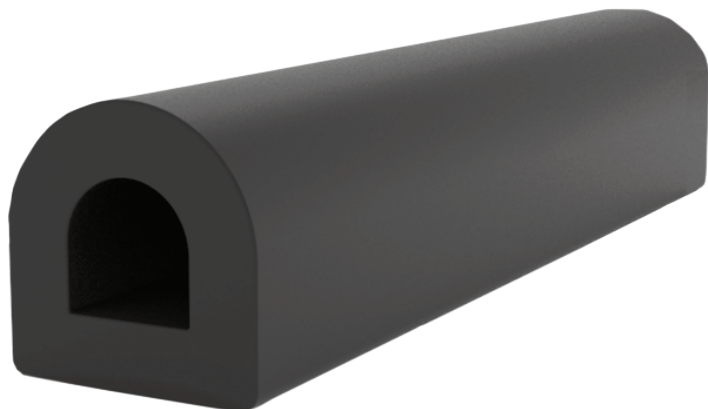
D fenders can be fitted by means of bolts and or strips in various manners: horizontally, vertically or diagonally. The mounting holes required are made through the side or through the top and bottom of the fender.

Maxwell Enterprise finishes the fenders in accordance with your requirements and drawings.

D fenders can also be produced vulcanized with required radiuses, which allow them to be fitted properly to a circular bow or stern. D fenders can be provided in specified lengths and the ends can be bevelled.



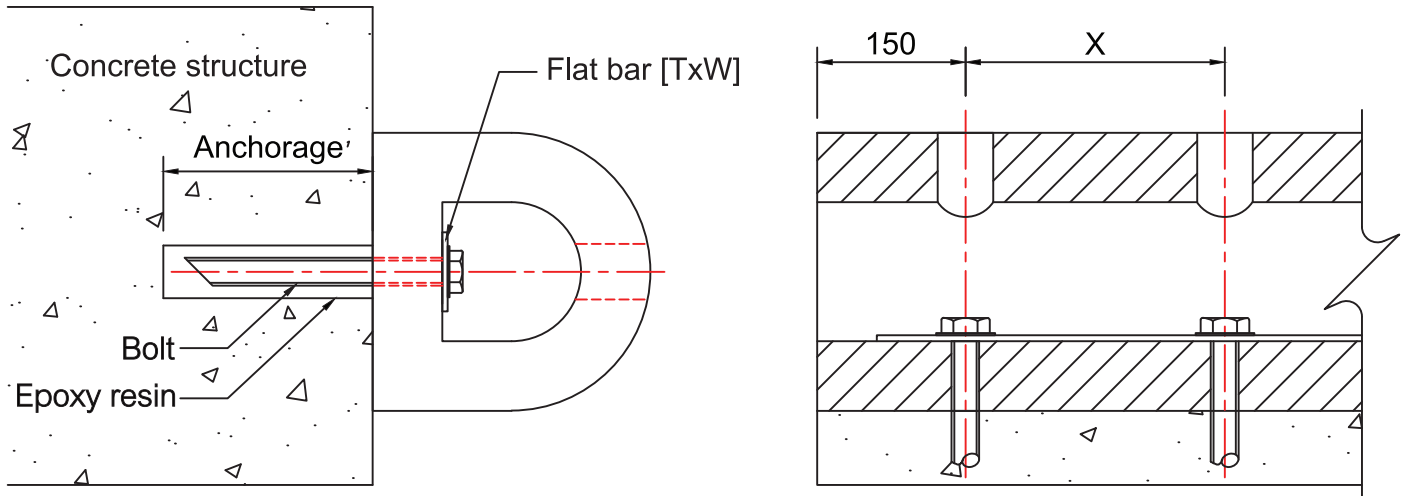
DD TYPE FENDERS SIZE & PERFORMANCE GUIDE



Type	H [mm]	W [mm]	Hi [mm]	Wi [mm]	ØD [mm]	ØD [mm]
MWE-DSF70x80	70	80	30	45	30	15
MWE-DSF95x110	95	110	35	50	30	15
MWE-DSF100x100	100	100	45	50	30	15
MWE-DSF125x125	125	125	60	60	40	20
MWE-DSF150x150	150	150	80	100	50	25
MWE-DSF150x200	150	200	80	100	50	25
MWE-DSF200x200	200	200	100	100	50	25
MWE-DSF200x250	200	250	125	125	60	30
MWE-DSF250x250	250	250	125	125	60	30
MWE-DSF200x275	200	275	100	125	60	30
MWE-DSF250x300	250	300	125	150	60	30
MWE-DSF300x300	300	300	150	150	60	30
MWE-DSF350x350	350	350	175	175	75	35
MWE-DSF380x380	380	380	190	190	75	35
MWE-DSF400x400	400	400	175	175	75	35
MWE-DSF500x500	500	500	250	250	90	45

Remark : Different sizes of Square rubber fender can be made according to customer's request.

DD TYPE FENDERS DRILLING & INSTALLATION GUIDE



Type	Bolt	Flat bar [TxW]	Anchorage
MWE-DSF70x80	M10x120	5x30	80
MWE-DSF95x110	M12x150	5x40	109
MWE-DSF100x100	M12x150	5x40	109
MWE-DSF125x125	M16x180	6x50	115
MWE-DSF150x150	M20x200	6x60	125
MWE-DSF150x200	M20x200	6x60	125
MWE-DSF200x200	M20x290	10x80	198
MWE-DSF200x250	M20x310	12x90	214
MWE-DSF250x250	M24x320	12x100	206.5
MWE-DSF200x275	M24x320	12x100	200
MWE-DSF250x300	M24x420	12x100	290
MWE-DSF300x300	M30x420	12x100	300
MWE-DSF350x350	M30x430	15x110	300
MWE-DSF380x380	M30x450	15x110	300
MWE-DSF400x400	M30x455	15x120	300
MWE-DSF500x500	M36x500	15x150	310