

# LED หลอดไฟ พลังงานแสงอาทิตย์ รุ่น IN-D

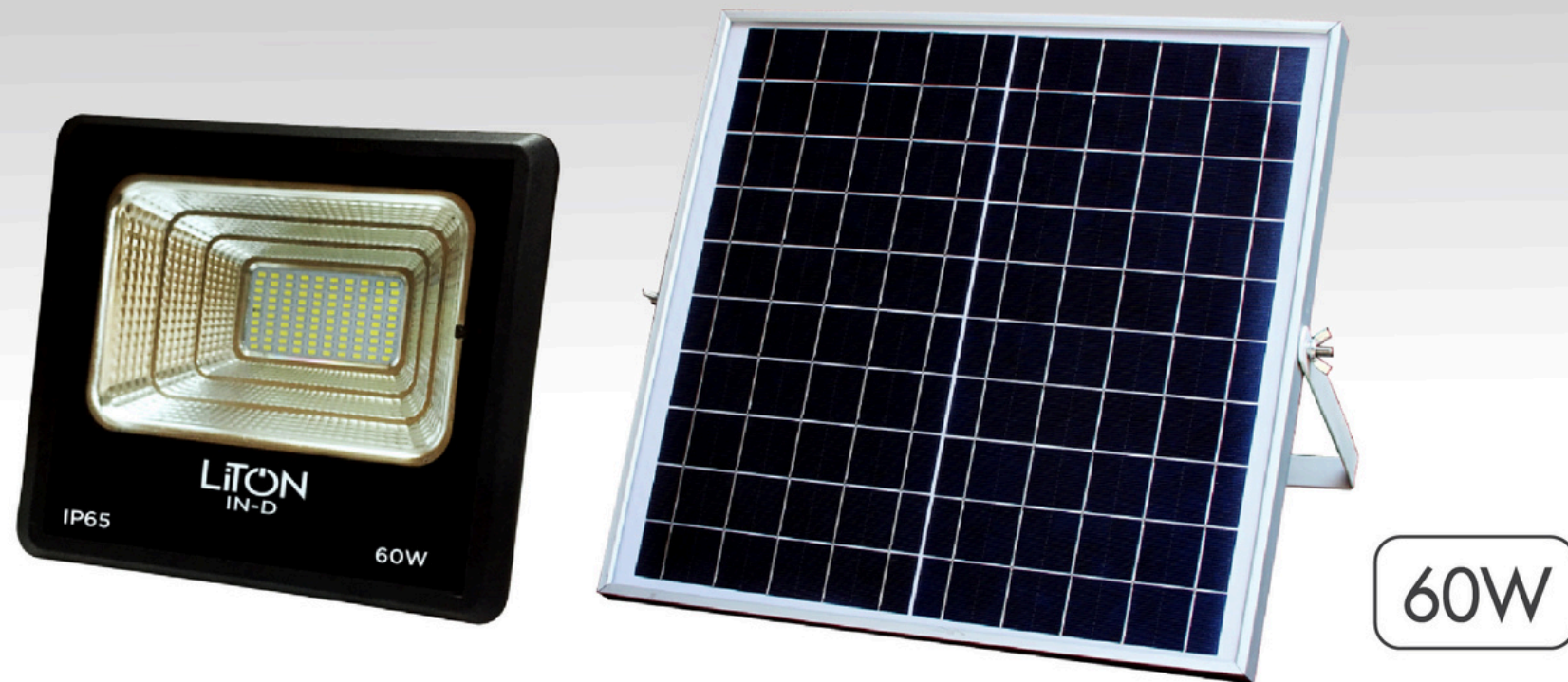
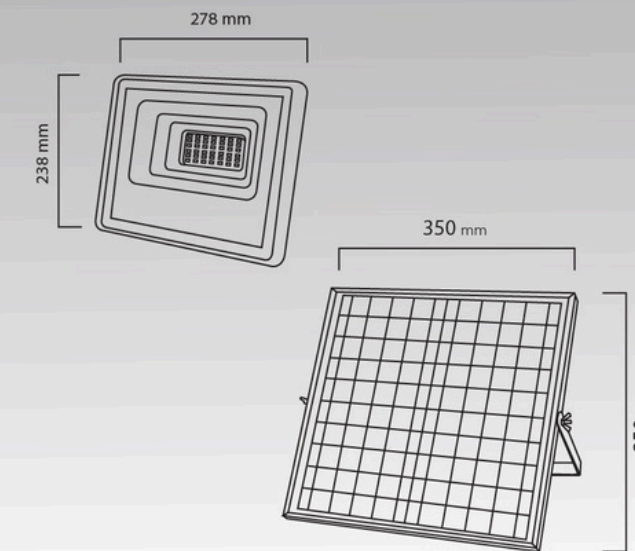


WIRELESS REMOTE CONTROL

### General Information

Product	SOLAR FLOOD LIGHT (IN-D)
SMD Chip	San'an 5730, 100pcs
Battery	6.4V/ 20AH /4 batteries ( lithium iron phosphate battery,5000mAh/b)
Safety Class	A
IP Code	65
Lamp body information	Die-cast aluminum + glass
Body Color	Black
Charge and discharge times	> 1200 times
Solar panel	10V/20W (Polysilicon solar panel)
Charging	4-6 Hrs
Working duration	12-15 Hrs, 1-2 consecutive cloudy and rainy days
Control mode	intelligent remote control of 12 m + light-operated

### Dimension



### Installation Guide



Dimensions : mm.

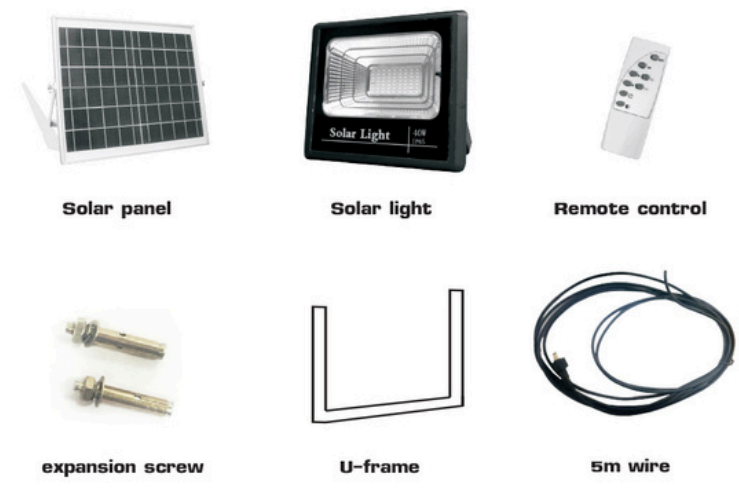
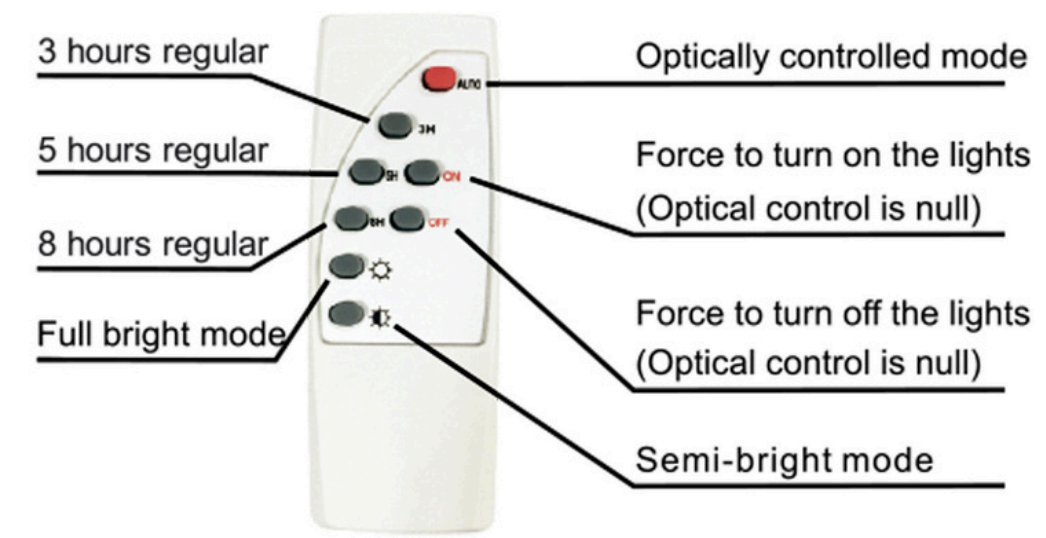
Lamp	278 X 70 X 238
Solar panel	350 X 350 X 17



Plug the twist after the twist cap

**Tips** The battery must be fully charged before using 3-5 rainy days.

### Remote control key instructions



รหัสสินค้า Code	ชื่อสินค้า	ขนาดวัตต์ Power (w)	แสง Color	แผงโซลาร์
-----------------	------------	---------------------	-----------	-----------

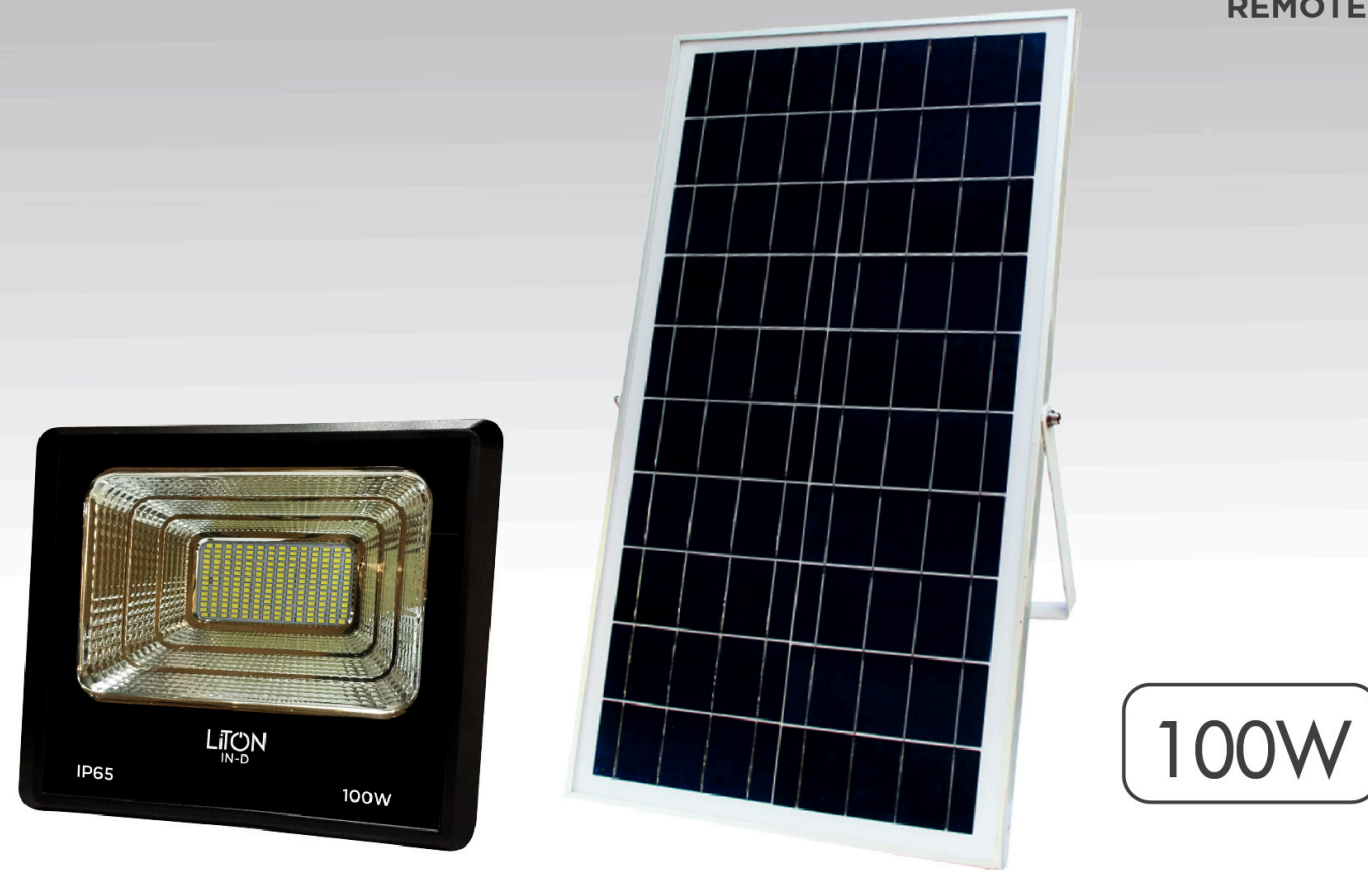
LTFSSM03NM020060B	SOLAR FLOOD LIGHT ( IN-D )	60W	Warmwhite (2700 - 3000K) / Daylight (6000 - 6500K)	10V/20W (Polysilicon solar panel)
-------------------	----------------------------	-----	--	-----------------------------------



# LED ฟลัดไลท์ พลังงานแสงอาทิตย์ รุ่น IN-D



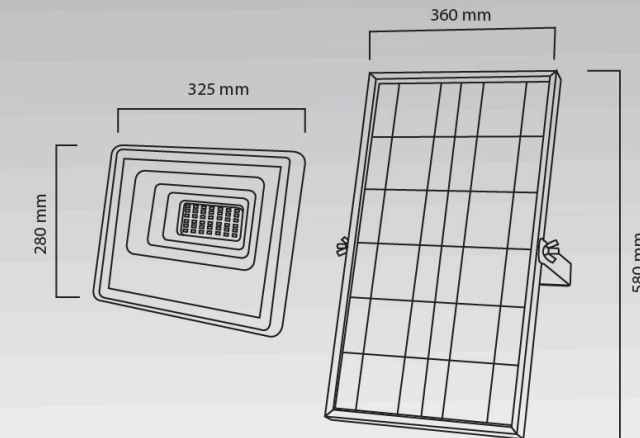
WIRELESS REMOTE CONTROL



### General Information

Product	SOLAR FLOOD LIGHT (IN-D)
SMD Chip	San'an 5730,196pcs
Battery	6.4V/ 30AH /6 batteries ( lithium iron phosphate battery,5000mAh/b)
Safety Class	A
IP Code	65
Lamp body information	Die-cast aluminum + glass
Body Color	Black
Charge and discharge times	> 1200 times
Solar panel	10V/35W (Polysilicon solar panel)
Charging	4-6 Hrs
Working duration	12-15 Hrs, 1-2 consecutive cloudy and rainy days
Control mode	intelligent remote control of 12 m + light-operated

### Dimension



### Installation Guide



### Dimensions : mm.

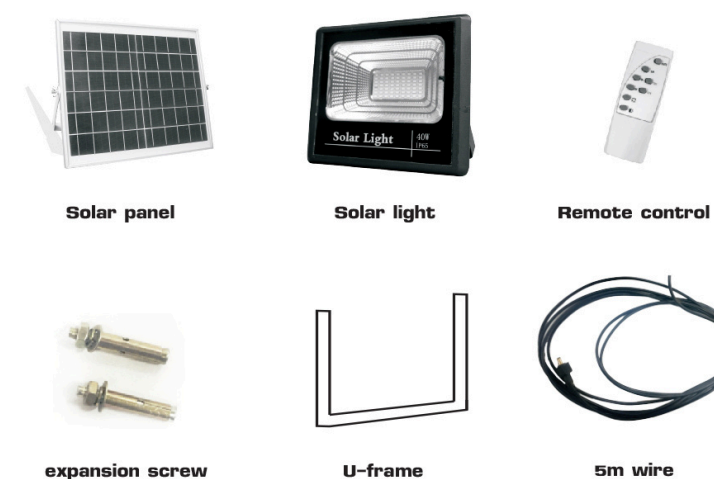
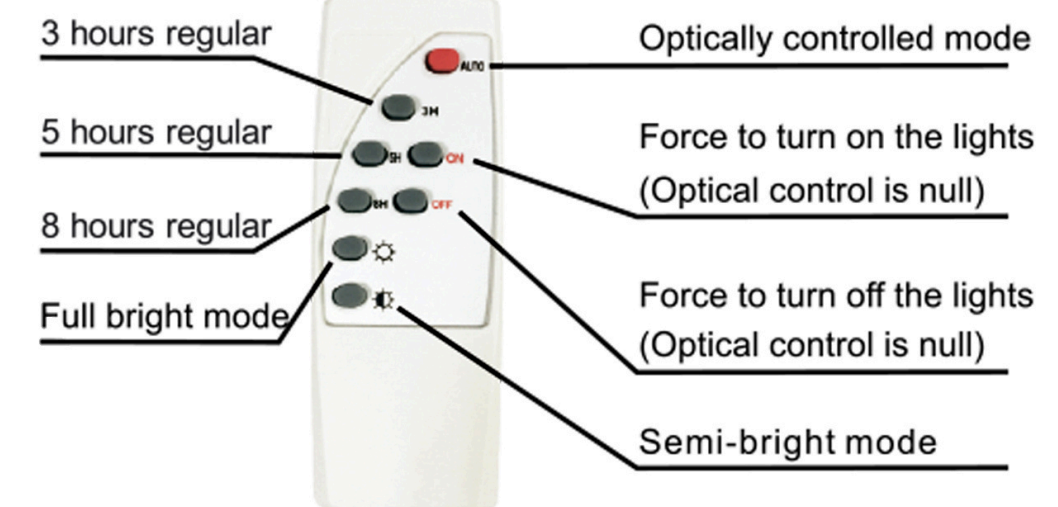
Lamp	325 X 85 X 280
Solar panel	580 X 360 X 17



Plug the twist after the twist cap

**Tips** The battery must be fully charged before using 3-5 rainy days.

### Remote control key instructions



รหัสสินค้า Code	ชื่อสินค้า	ขนาดวัตต์ Power (w)	แสง Color	แผงโซลาร์
-----------------	------------	---------------------	-----------	-----------

LTLSSM03NM035100B	SOLAR FLOOD LIGHT ( IN-D )	100W	Warmwhite (2700 - 3000K) / Daylight (6000 - 6500K)	10V/35W (Polysilicon solar panel)
-------------------	----------------------------	------	--	-----------------------------------

