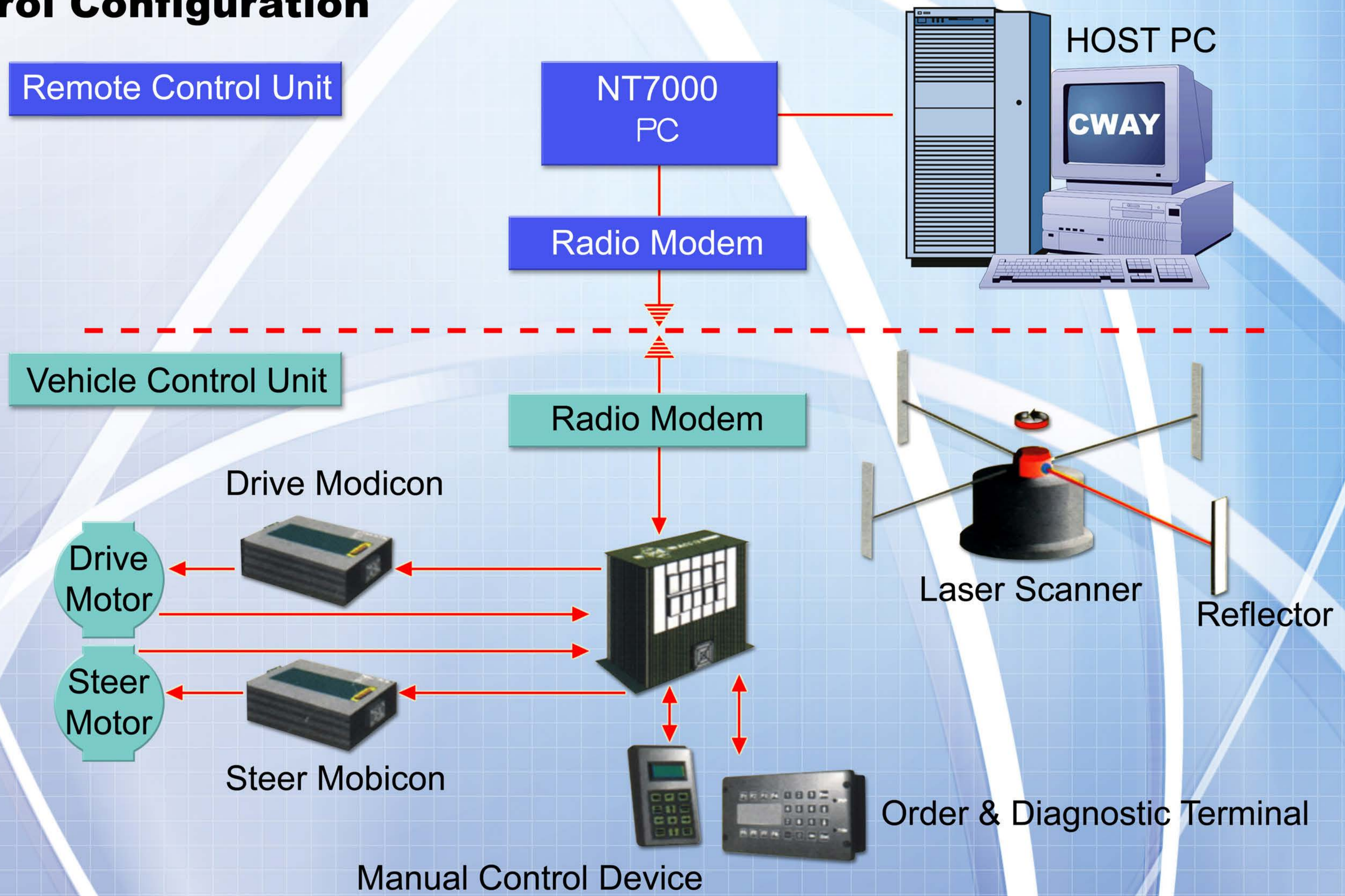


Automated Guided Vehicle (AGV)

Advantages & Features

- Precise System Simulation
- Quick Installation
- Flexible Path Planning
- Laser Guided Without Floor Cutting and Magnetic Tape
- Connect With Different Equipment, High Compatibility
- Excellent Extensibility

Control Configuration



Fork AGV

- $V_x=60\text{m/min}$
- Capacity=1200kg



Clean AGV

- $V_x=60\text{m/min}$
- Capacity=100kg
- Class 10k



FORMOSA

FORMOSA HEAVY INDUSTRIES CORP.

Heavy Roll SRM



Load(Max)(kg)		10,000
Speed (M/min)	Travel	120
	Lift	24
	Fork	18

FORMOSA

FORMOSA HEAVY INDUSTRIES CORP.

FS Series SRM Character

STRUCTURE

- Designed by FEA (Finite Element Analysis software) and verified by strain gauge measurement to ensure safety and reliability.

SAFETY FEATURES

- EMO on each end of the aisle
- Force reducing speed function of traveling
- Over-Run Detector of traveling
- Force reducing speed function of lifting
- Over-Run Detector of lifting
- Carriage anti-fall device
- Emergence stop button
- E-CHAIN circuit
- 8-bit Interlock sensor to interlock with other equipment

LOAD PROFILE

- Maximum Weight — 1600 Kg
- Load size — 900~1500mm for D.A. and C.A.

SYSTEM HEIGHT

- Maximum — 35 M

PERFORMANCE

- Maximum Traveling Speed — 240 M/min
- Maximum Lifting Speed — 110 M/min
- Maximum Shuttle Speed — 75 M/min



CONTROLS

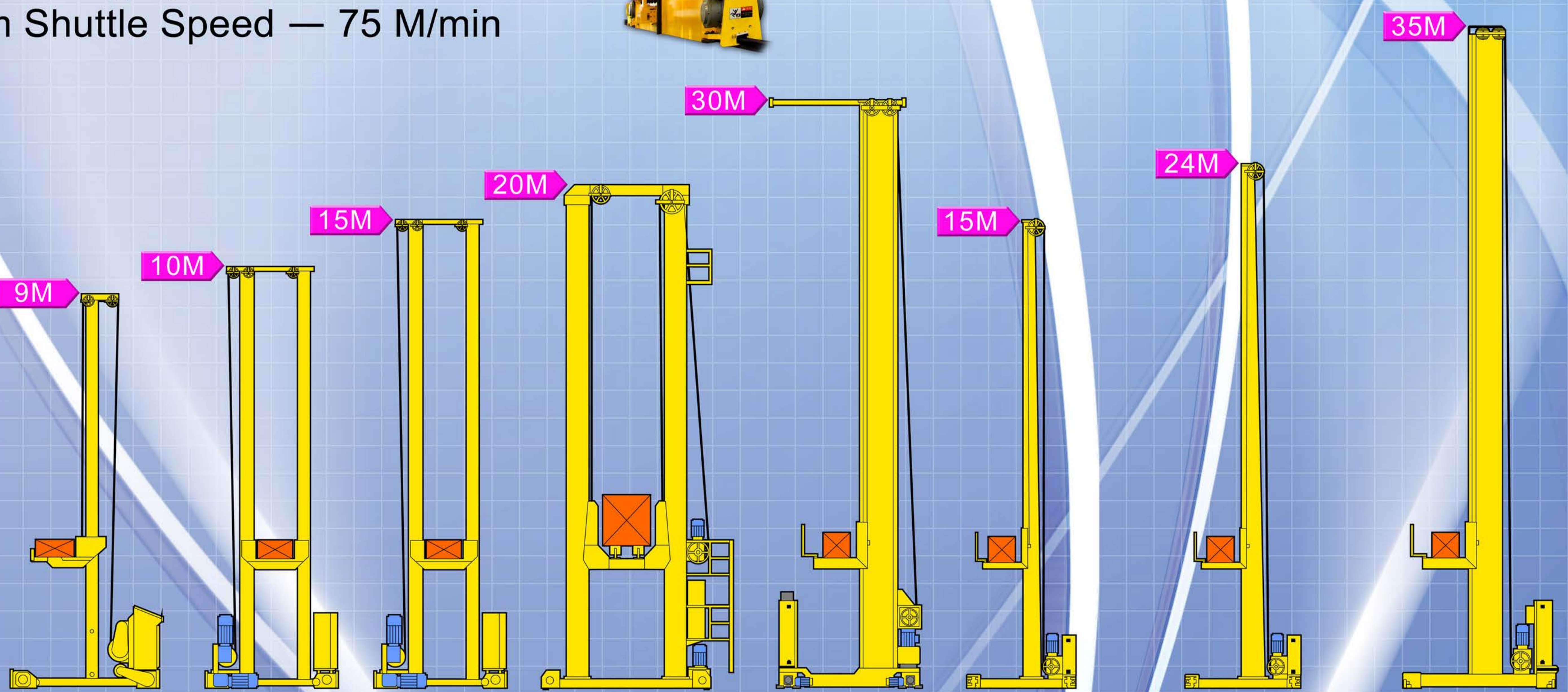
- Data transmitted by infrared
- PLC/PAC or IPC for controller
- Manual control panels (on Cabin and Carriage)
- SNDS software for maintenance and instrumentation

DRIVES & MOTORS

- AC motors with Encoder & Vector Invertor

POSITIONING SYSTEM

- Traveling - Laser unit
- Hoist - Encoder + Sync-bar (option : Laser unit)
- Fork — Encoder & Sensor

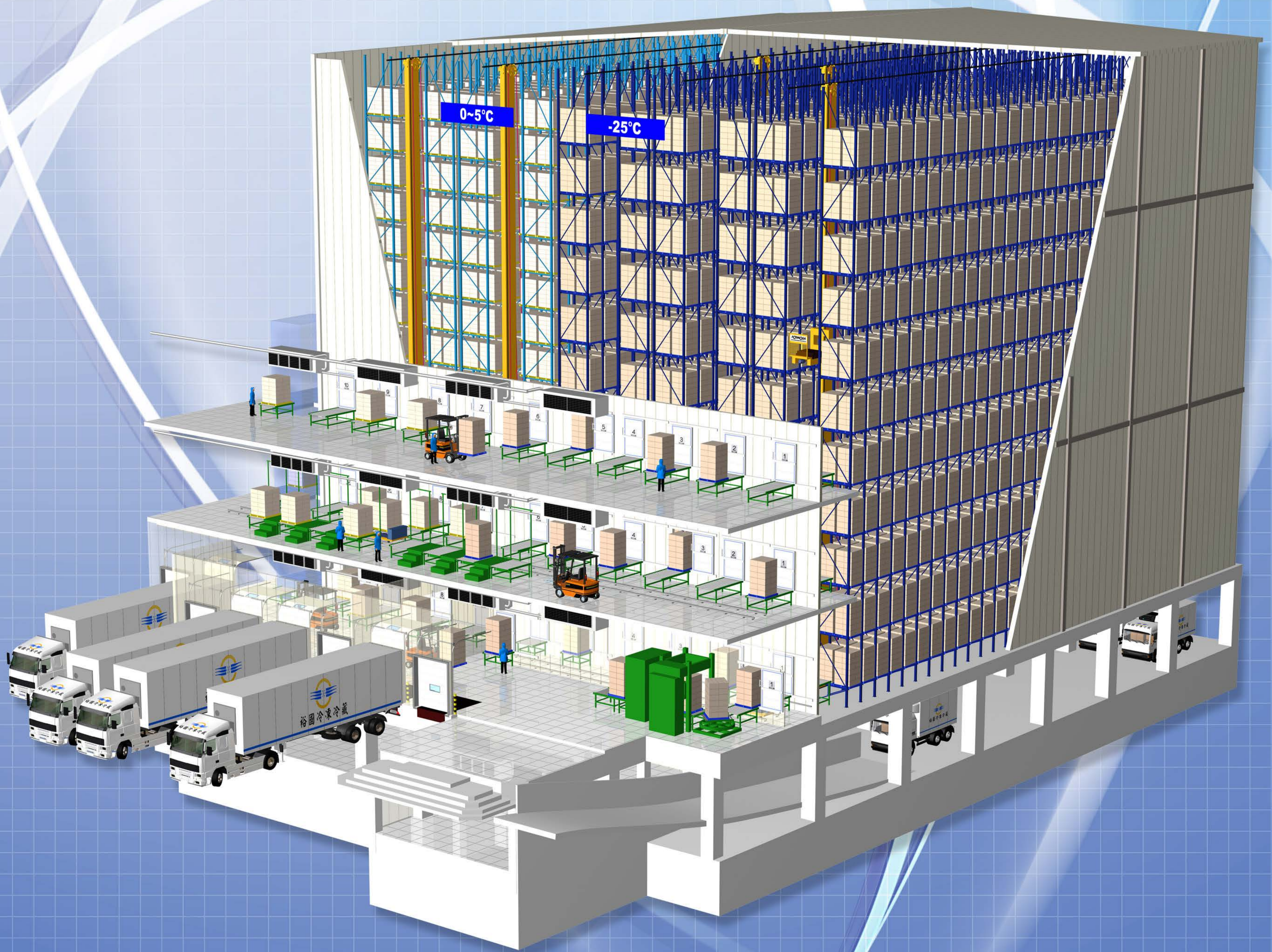
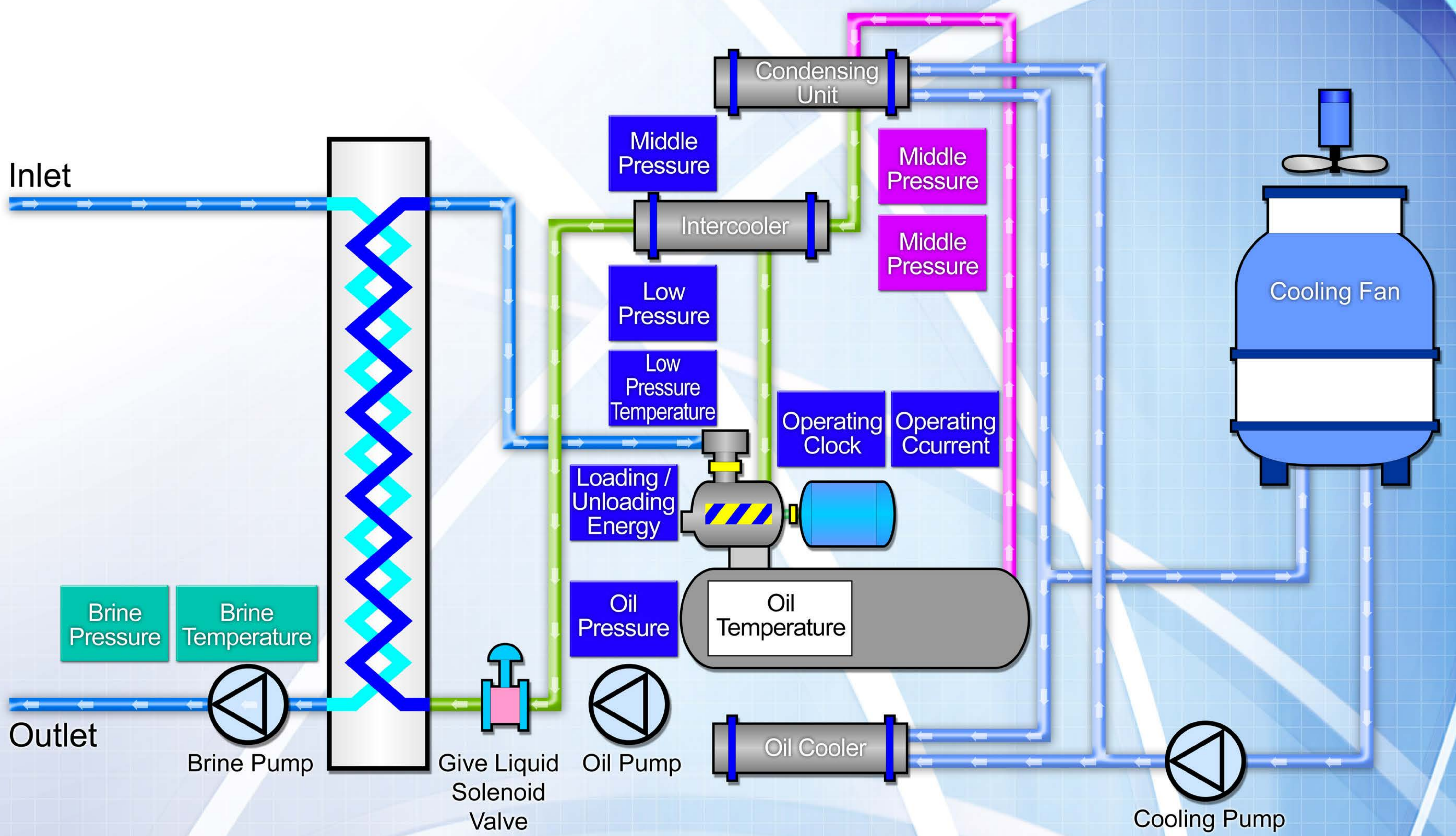


		Bucket (FB)			Heavy (FH)	Aisle Change	Pallet (FS)				
Type		FB09	FM10	FB15	FH20	FR30	FS15	FS24	FS24H	FS30	
Height		≤9M	≤10M	≤15M	≤20M	≤30M	≤18M	18M 24M 26M	≤24M	26M 30M 35M	
Load(Max)(kg)		50	50x2	50	10000	1600	1000	1000	1000	1600	1000
Speed (M/min)	Travel	180	360	200	120	160	125~200	125~180	240	200	180
	Lift	50	150	80	24	50	40	45	75/110	60	
	Fork	50	60/100	50	18	50	50	50	50/75	60	

FORMOSA

FORMOSA HEAVY INDUSTRIES CORP.

Freezing System



FORMOSA

FORMOSA HEAVY INDUSTRIES CORP.