

Decoupling Plate Mounting Kit for MA01c/ MA01a

iC2-Micro Frequency Converters

1 Overview

1.1 Description

This installation guide explains how to install the decoupling plate mounting kit for enclosure sizes MA01c and MA01a of iC2-Micro Frequency Converters.

1.2 Kit Numbers

Use these instructions with the following kits.

Table 1: Kit Numbers for Decoupling Plate Mounting Kits

Kit number	Kit description
132G0202	Decoupling plate mounting kit, MA01c
132G0204	Decoupling plate mounting kit, MA01a

1.3 Item Supplied

The following parts are contained in the kit.

Table 2: Items Supplied in Decoupling Plate Mounting Kits

Item	Quantity
Power decoupling plate	1
IO decoupling plate	1
Cable clamp	4
U-terminal	2–3 (depends on enclosure size)
M4x10 screw	4–5 (depends on enclosure size)
M4x20 screw	8

1.4 Safety Precautions

Only qualified personnel are allowed to install the decoupling plate mounting kit described in this installation guide. For important information about safety precautions for installation, refer to the drive's operating guide.

⚠ W A R N I N G ⚠

DISCHARGE TIME

The drive contains DC-link capacitors, which can remain charged even when the drive is not powered. High voltage can be present even when the warning indicator lights are off.

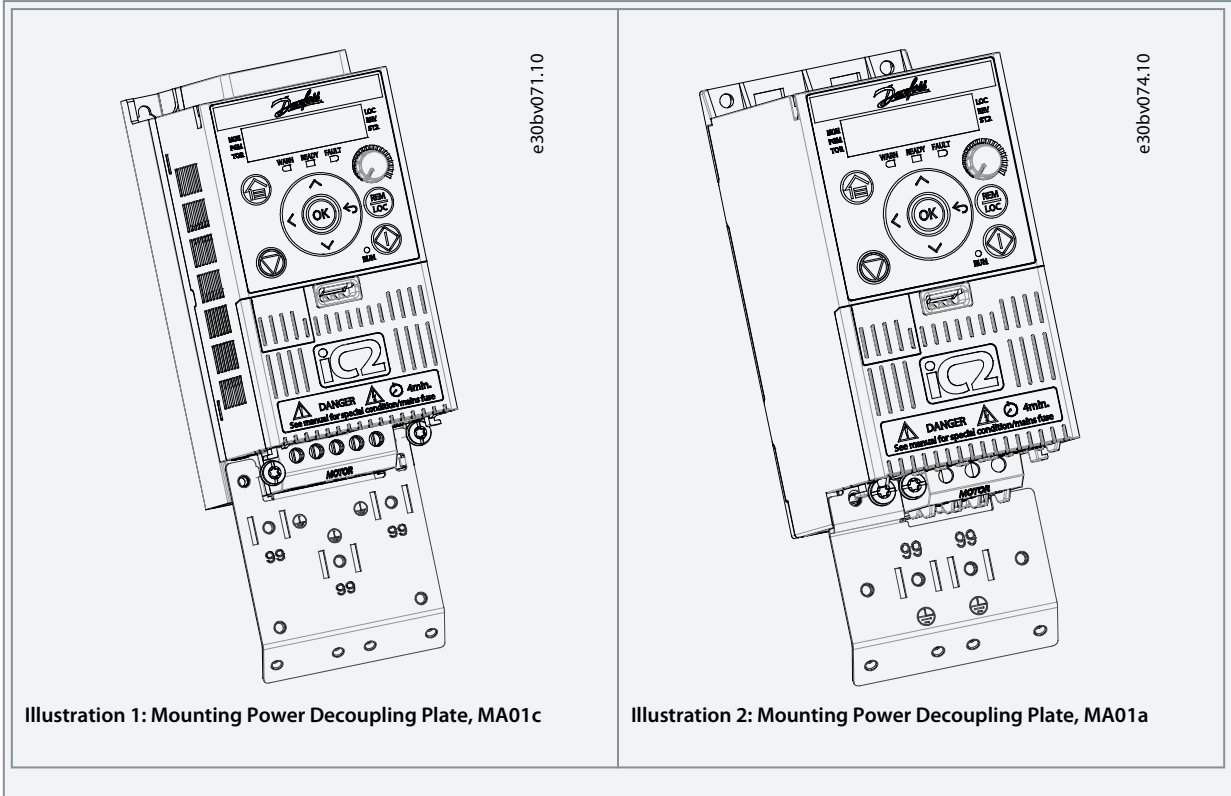
- Stop the motor, disconnect AC mains, permanent magnet type motors, and remove DC-link supplies, including battery back-ups, UPS, and DC-link connections to other drives.
- Wait for the capacitors to discharge fully and measure it before performing any service or repair work.
- The minimum waiting time is 4 minutes for MA01c and MA01a drives.

2 Installation

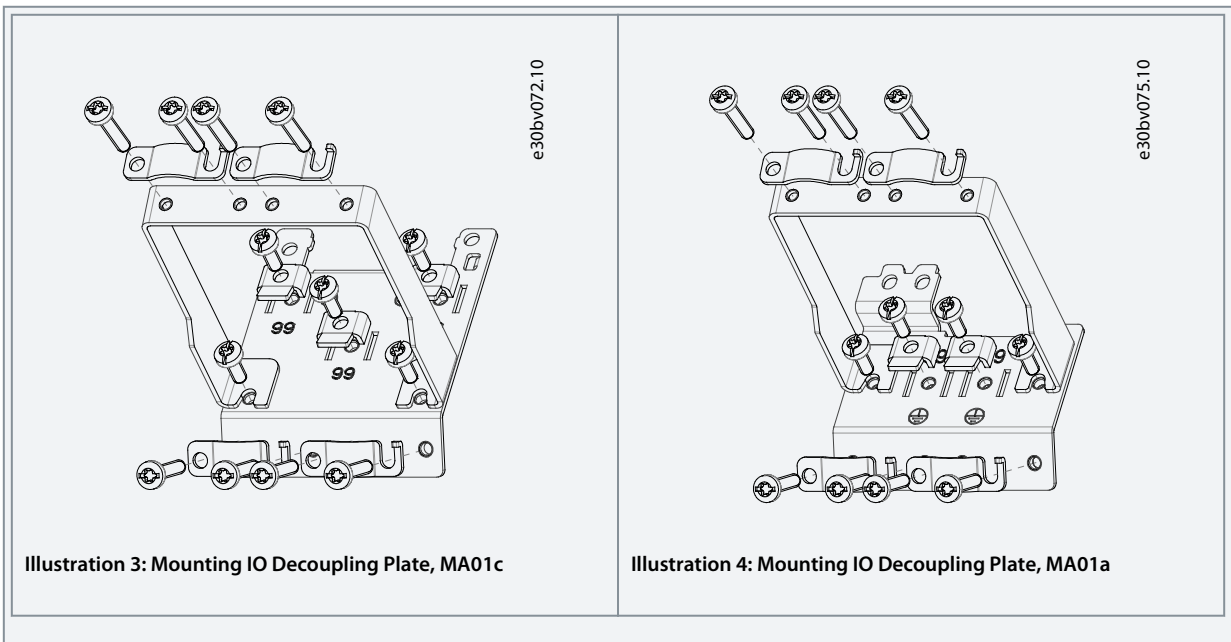
2.1 Mounting the Decoupling Plate Mounting Kit

Procedure

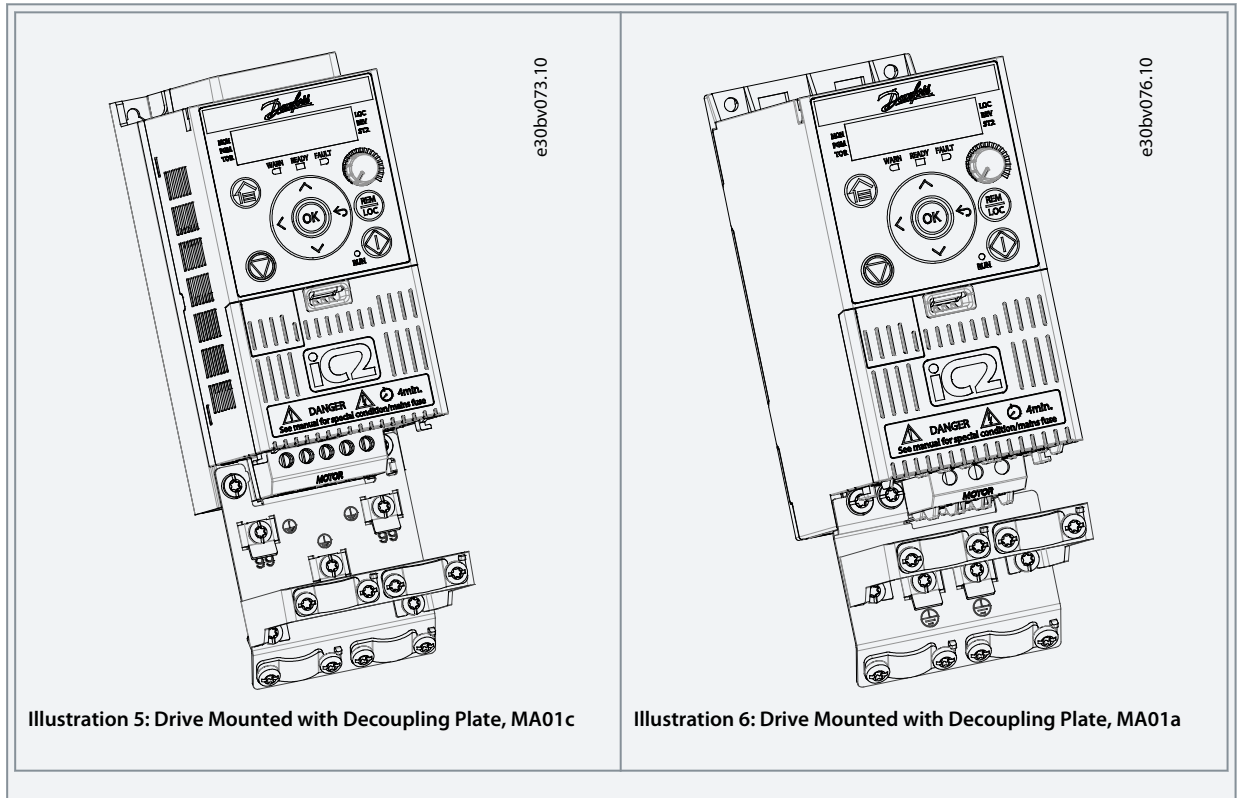
1. Release 2 screws from drive, mount the power decoupling plate on the drive and fasten with 2 screws, see [Illustration 1](#) and [Illustration 2](#). Maximum tightening torque: 2 Nm (17.7 in-lb).



2. Mount IO decoupling plate, see [Illustration 3](#) and [Illustration 4](#). Maximum tightening torque: 2 Nm (17.7 in-lb).



- See [Illustration 5](#) and [Illustration 6](#) for the drive mounted with decoupling plate.



Danfoss A/S
Ulsnaes 1
DK-6300 Graasten
drives.danfoss.com

.....
Danfoss can accept no responsibility for possible errors in catalogs, brochures, and other printed material. Danfoss reserves the right to alter its products without notice. This also applies to products already on order provided that such alterations can be made without subsequential changes being necessary in specifications already agreed. All trademarks in this material are property of the respective companies. Danfoss and the Danfoss logotype are trademarks of Danfoss A/S. All rights reserved.
.....

