

# SUN2000-5/8/10KTL-M1 Smart Energy Center



## Higher Revenue

Max. efficiency 98.6%



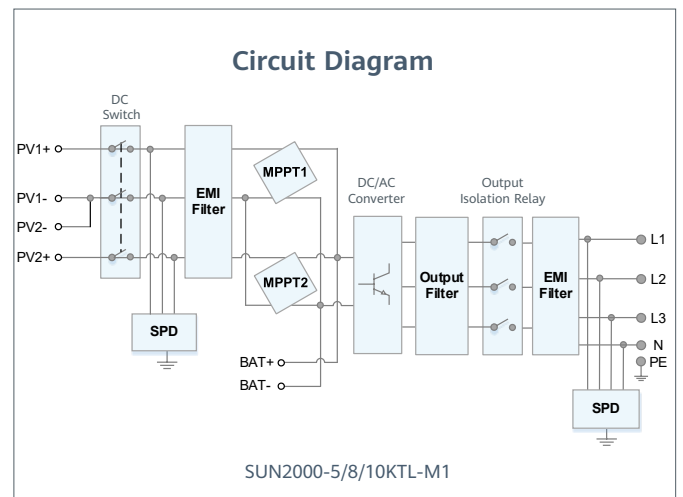
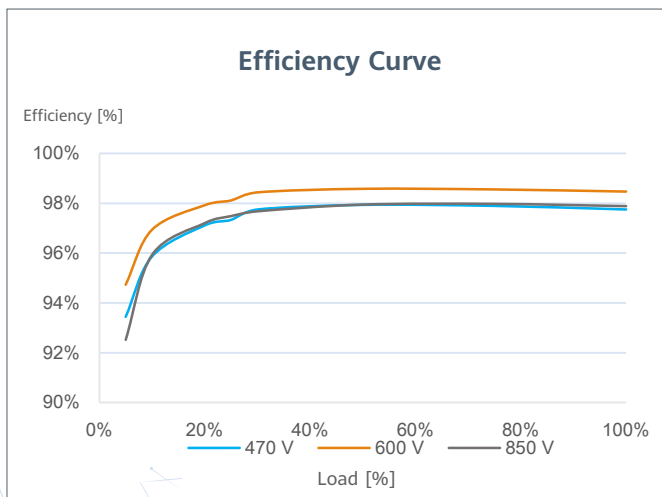
## Simple & Easy

17 kg



## Safe & Reliable

Arc fault protection



# Technical Specification

| Technical Specification                                  | SUN2000<br>-5KTL-M1   | SUN2000<br>-8KTL-M1 | SUN2000<br>-10KTL-M1   |
|--|---|---------------------|------------------------|
| <b>Efficiency</b>  |   |                     |                        |
| Max. efficiency  | 98.4%   | 98.6%               | 98.6%                  |
| European weighted efficiency                             | 97.5%   | 98.0%               | 98.1%                  |
| <b>Input (PV)</b>  |   |                     |                        |
| Recommended max. PV power <sup>1</sup>                   | 7,500 Wp  | 12,000 Wp           | 15,000 Wp              |
| Max. input voltage <sup>2</sup>                          |   | 1,100 V             |                        |
| Operating voltage range <sup>3</sup>                     |   | 140 V ~ 980 V       |                        |
| Start-up voltage   |   | 200 V               |                        |
| Rated input voltage                                      |   | 600 V               |                        |
| Max. input current per MPPT                              |   | 11 A                |                        |
| Max. short-circuit current                               |   | 15 A                |                        |
| Number of MPP trackers                                   |   | 2                   |                        |
| Max. input number per MPP tracker                        |   | 1                   |                        |
| <b>Input (DC Battery)</b>                                |   |                     |                        |
| Compatible Battery                                       | HUAWEI Smart String ESS 5kWh – 30kWh  |                     |                        |
| Operating voltage range                                  | 600 V ~ 980 V   |                     |                        |
| Max operating current                                    | 16A   |                     |                        |
| Max charge Power   | 10,000 W  |                     |                        |
| Max discharge Power                                      | 5,500 W   | 8,800 W             | 10,000 W               |
| <b>Output (On Grid)</b>                                  |   |                     |                        |
| Grid connection  | Three-phase   |                     |                        |
| Rated output power                                       | 5,000 W   | 8,000 W             | 10,000 W               |
| Max. apparent power                                      | 5,500 VA  | 8,800 VA            | 11,000 VA <sup>4</sup> |
| Rated output voltage                                     | 220 Vac / 380 Vac, 230 Vac / 400 Vac, 3W / N+PE   |                     |                        |
| Rated AC grid frequency                                  | 50 Hz / 60 Hz   |                     |                        |
| Max. output current                                      | 8.5 A   | 13.5 A              | 16.9 A                 |
| Adjustable power factor                                  | 0.8 leading ... 0.8 lagging   |                     |                        |
| Max. total harmonic distortion                           | ≤ 3 %   |                     |                        |
| <b>Output ( Backup Power via Backup Box-B1 )</b>         |   |                     |                        |
| Maximum apparent power                                   | 3,300 VA  |                     |                        |
| Rated output voltage                                     | 220 V / 230 V   |                     |                        |
| Maximum output current                                   | 15 A  |                     |                        |
| Power factor range                                       | 0.8 leading ... 0.8 lagging   |                     |                        |
| <b>Features &amp; Protections</b>                        |   |                     |                        |
| Input-side disconnection device                          | Yes   |                     |                        |
| Anti-Islanding protection                                | Yes   |                     |                        |
| DC reverse polarity protection                           | Yes   |                     |                        |
| Insulation monitoring                                    | Yes   |                     |                        |
| DC surge protection                                      | Yes, compatible with TYPE II protection class according to EN/IEC 61643-11  |                     |                        |
| AC surge protection                                      | Yes, compatible with TYPE II protection class according to EN/IEC 61643-11  |                     |                        |
| Residual current monitoring                              | Yes   |                     |                        |
| AC overcurrent protection                                | Yes   |                     |                        |
| AC short-circuit protection                              | Yes   |                     |                        |
| AC overvoltage protection                                | Yes   |                     |                        |
| Arc fault protection                                     | Yes   |                     |                        |
| Ripple receiver control                                  | Yes   |                     |                        |
| Integrated PID recovery <sup>5</sup>                     | Yes   |                     |                        |
| Battery reverse charging from grid                       | Yes   |                     |                        |
| Nighttime Power Consumption                              | < 5.5W <sup>6</sup>   |                     |                        |
| <b>General Data</b>                                      |   |                     |                        |
| Operating temperature range                              | -25 ~ + 60 °C (-13 °F ~ 140 °F)   |                     |                        |
| Relative operating humidity                              | 0 %RH ~ 100 %RH   |                     |                        |
| Operating altitude                                       | 0 ~ 4,000 m (13,123 ft.) (Derating above 2000 m)  |                     |                        |
| Cooling  | Natural convection  |                     |                        |
| Display  | LED Indicators; Integrated WLAN + FusionSolar App   |                     |                        |
| Communication  | RS485; WLAN/Ethernet via Smart Dongle-WLAN-FE; 4G / 3G / 2G via Smart Dongle-4G (Optional)  |                     |                        |
| Weight (incl. mounting bracket)                          | 17 kg (37.5 lb)   |                     |                        |
| Dimension (incl. mounting bracket)                       | 525 x 470 x 146.5 mm (20.7 x 18.5 x 5.8 inch)   |                     |                        |
| Degree of protection                                     | IP65  |                     |                        |
| <b>Optimizer Compatibility</b>                           |   |                     |                        |
| DC MBUS compatible optimizer                             | SUN2000-450W-P  |                     |                        |
| <b>Standard Compliance (more available upon request)</b> |   |                     |                        |
| Certificate  | EN/IEC 62109-1, EN/IEC 62109-2, IEC 62116   |                     |                        |
| Grid connection standards                                | G98, G99, EN 50438, CEI 0-21, VDE-AR-N-4105, AS 4777, C10/11, ABNT, UTE C15-712, RD 1699, TOR D4, NRS 097-2-1, IEC61727, IEC62116, DEWA 2.0 |                     |                        |

<sup>\*1</sup> Inverter max input PV power is 20,000 Wp when long strings are designed and fully connected with SUN2000-450W-P power optimizers.

<sup>\*2</sup> The maximum input voltage is the upper limit of the DC voltage. Any higher input DC voltage would probably damage inverter.

<sup>\*3</sup> Any DC input voltage beyond the operating voltage range may result in inverter improper operating.

<sup>\*4</sup> C10 / 11: 10,000 VA

<sup>\*5</sup> SUN2000-3~10KTL-M1 raises potential between PV- and ground to above zero through integrated PID recovery function to recover module degradation from PID. Supported module types include: P-type (mono, poly).

<sup>\*6</sup> <10 W when PID recovery function is activated  
Version No.:01-(20190716)