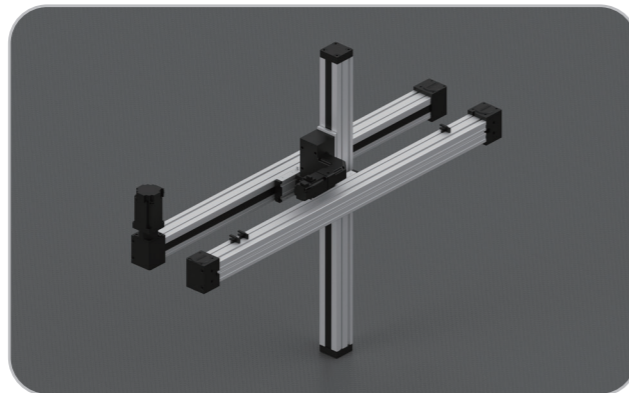
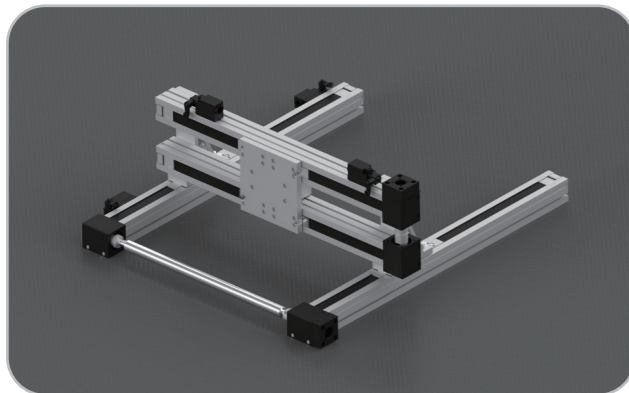
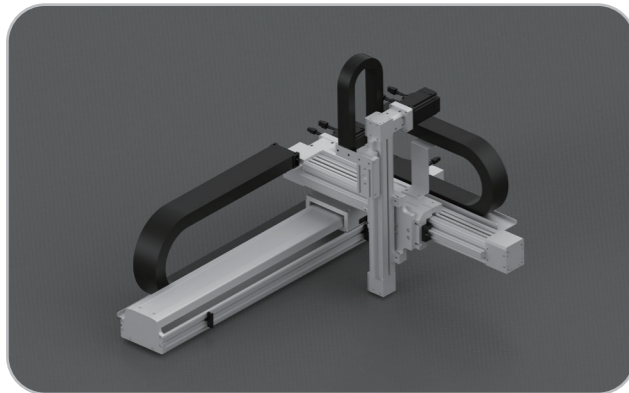


Limon提供豐富的完整直線單元運動系統設計所需的支架和安裝組件。在我們的電機和驅動套裝交付的同時，我們亦會為您提供一個完整的解決方案。尺寸選定和系統選型請聯系我們獲取詳細信息。

Linear Motion Systems can be used in almost all industries . The breadth of our range makes it possible to find the optimum solution for most applications imaginable. If the standard range is not enough, Limon is happy to discuss a custom solution that meets your needs. Contact us and we can show you many, many more.

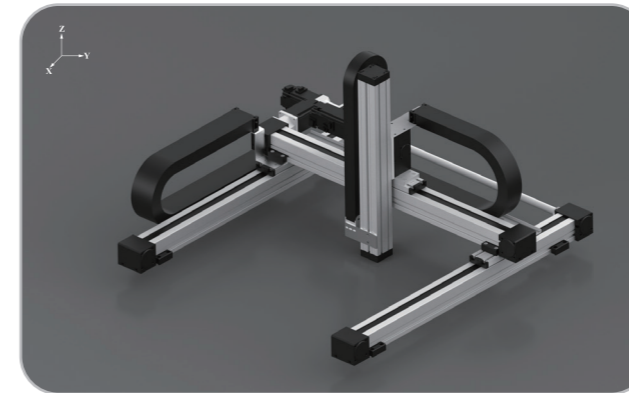


**Note:**  
All indicated item, must be chosen with linear guide.The load capacity will decline if the arm is in overlong length.For actual figure required,please contact limon robot.  
We offer all necessary fittings including brackets,clamping fixtures and adapter plates in order to build multi-axis systems. Besides standard elements,we also supply customized non-standard elements manufactured in our workshop.

以上所示產品，必須選配直線導軌。當懸臂離心過長時，負載能力會下降。請聯系萊盟機器人來根據實際圖紙獲得解決方案。我們提供監理多軸組合的所有必要配件，包括標準件，夾片和連接件。也可為客戶定制所需非標配件。

Limon提供豐富的完整直線單元運動系統設計所需的支架和安裝組件。在我們的電機和驅動套裝交付的同時，我們亦會為您提供一個完整的解決方案。尺寸選定和系統選型請聯系我們獲取詳細信息。

Linear Motion Systems can be used in almost all industries . The breadth of our range makes it possible to find the optimum solution for most applications imaginable. If the standard range is not enough, Limon is happy to discuss a custom solution that meets your needs. Contact us and we can show you many, many more.



■多軸組合模块

	Ixyz60			Ixyz80		
	X軸/ X Axis	Y軸/ Y Axis	Z軸/ Z Axis	X軸/ X Axis	Y軸/ Y Axis	Z軸/ Z Axis
軸組成 Axis Composition	ITO60	ITO60	ITZ60	ITO80	ITO80	ITZ60
重複定位精度 ( mm ) Repetitive Accuracy	± 0.05	± 0.05	± 0.05	± 0.05	± 0.05	± 0.05
驅動方式 Driving Method	同步帶/ Belt	同步帶/ Belt	同步帶/ Belt	同步帶/ Belt	同步帶/ Belt	同步帶/ Belt
最高速度 ( mm/s ) Max Speed	2000	2000	1000	2000	2000	1000
最大行程 ( mm ) Max Stroke	4000	1500	1000	4000	2500	1000
最大搬運負載 ( kg ) Max Transport Load	5kg			12kg		

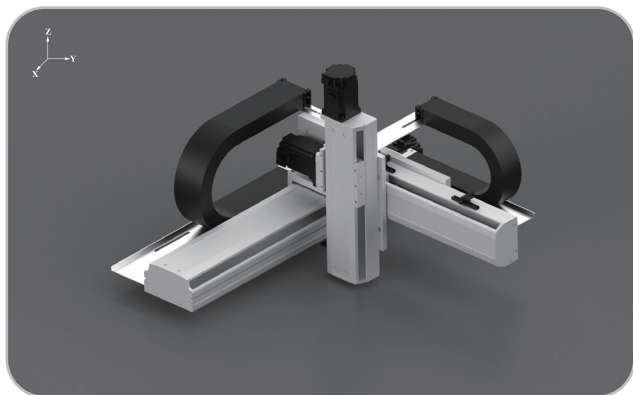
**Note:**  
All indicated item, must be chosen with linear guide.The load capacity will decline if the arm is in overlong length.For actual figure required,please contact limon robot.  
We offer all necessary fittings including brackets,clamping fixtures and adapter plates in order to build multi-axis systems. Besides standard elements,we also supply customized non-standard elements manufactured in our workshop.

以上所示產品，必須選配直線導軌。當懸臂離心過長時，負載能力會下降。請聯系萊盟機器人來根據實際圖紙獲得解決方案。我們提供監理多軸組合的所有必要配件，包括標準件，夾片和連接件。也可為客戶定制所需非標配件。

## 多軸組合 Multiaxis System

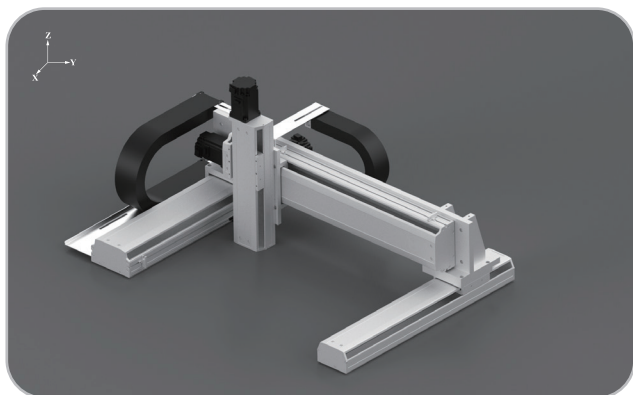
Limon提供豐富的完整直線單元運動系統設計所需的支架和安裝組件。在我們的電機和驅動套裝交付的同時，我們亦會為您提供一個完整的解決方案。尺寸選定和系統選型請聯系我們獲取詳細信息。

Linear Motion Systems can be used in almost all industries. The breadth of our range makes it possible to find the optimum solution for most applications imaginable. If the standard range is not enough, Limon is happy to discuss a custom solution that meets your needs. Contact us and we can show you many, many more.



### ■多軸組合模块

	Yxyz110-XB			Yxyz135-XB		
	X軸/ X Axis	Y軸/ Y Axis	Z軸/ Z Axis	X軸/ X Axis	Y軸/ Y Axis	Z軸/ Z Axis
軸組成 Axis Composition	YSO110	YSO110	YSC65	YSO135	YSO135	YSO110
重復定位精度 (mm) Repetitive Accuracy	± 0.01	± 0.01	± 0.01	± 0.01	± 0.01	± 0.01
驅動方式 Driving Method	滾珠絲杆 Ball Screw	滾珠絲杆 Ball Screw	滾珠絲杆 Ball Screw	滾珠絲杆 Ball Screw	滾珠絲杆 Ball Screw	滾珠絲杆 Ball Screw
最高速度 (mm/s) Max Speed	1000	1000	500	1000	1000	500
最大行程 (mm) Max Stroke	1050	450	250	1250	550	350
	Z軸行程 / Z Axis Stroke			Z軸行程 / Z Axis Stroke		
Y軸行程 (mm) Y Axis Stroke	150	250	-	150	250	350
最大搬運負載 (kg) Max Transport Load	150	5kg	5kg	-	10kg	10kg
	250	5kg	5kg	-	9kg	8kg
	350	5kg	5kg	-	7kg	6kg
	450	-	-	-	5kg	4kg
550	-	-	-	3kg	2kg	1kg



### ■多軸組合模块

	Yxyz110-LM			Yxyz135-LM		
	X軸/ X Axis	Y軸/ Y Axis	Z軸/ Z Axis	X軸/ X Axis	Y軸/ Y Axis	Z軸/ Z Axis
軸組成 Axis Composition	YSO110	YSO110	YSC65	YSO135	YSO135	YSO110
重復定位精度 (mm) Repetitive Accuracy	± 0.01	± 0.01	± 0.01	± 0.01	± 0.01	± 0.01
驅動方式 Driving Method	滾珠絲杆 Ball Screw	滾珠絲杆 Ball Screw	滾珠絲杆 Ball Screw	滾珠絲杆 Ball Screw	滾珠絲杆 Ball Screw	滾珠絲杆 Ball Screw
最高速度 (mm/s) Max Speed	1000	1000	500	1000	1000	500
最大行程 (mm) Max Stroke	1050	650	250	1250	550	350
	Z軸行程 / Z Axis Stroke			Z軸行程 / Z Axis Stroke		
Y軸行程 (mm) Y Axis Stroke	100-250			100-350		
最大搬運負載 (kg) Max Transport Load	150- 650	5kg		15kg		

#### Note:

All indicated item, must be chosen with linear guide. The load capacity will decline if the arm is in overlong length. For actual figure required, please contact limon robot. We offer all necessary fittings including brackets, clamping fixtures and adapter plates in order to build multi-axis systems. Besides standard elements, we also supply customized non-standard elements manufactured in our workshop.

以上所示產品，必須選配直線導軌。當懸臂離心過長時，負載能力會下降。請聯系萊盟機器人來根據實際圖紙獲得解決方案。我們提供監理多軸組合的所有必要配件，包括標準件，夾片和連接件。也可為客戶定制所需非標配件。