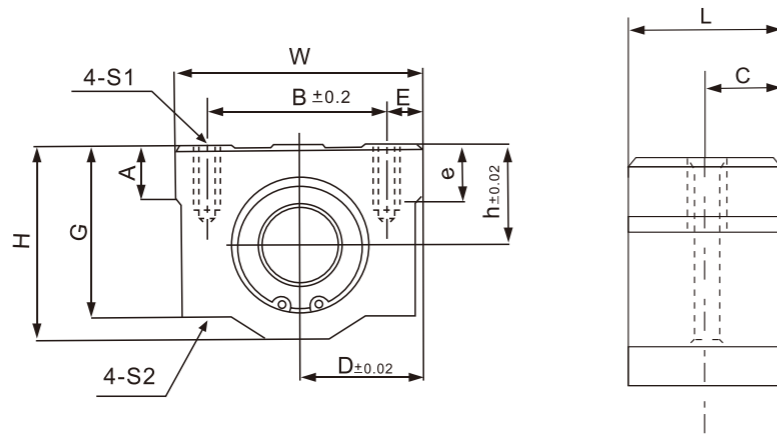




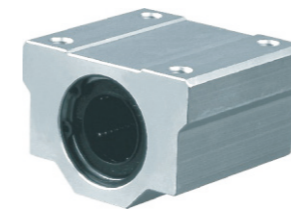
4 Slide Unit 4-1 SC Series



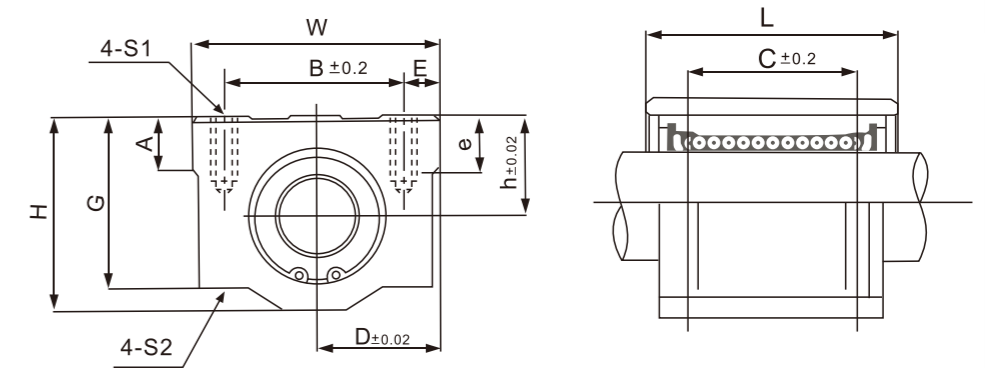
SC_S



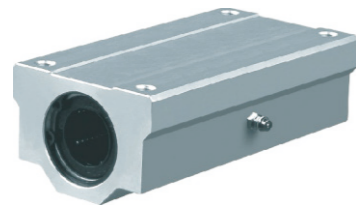
Part No.	Main Dimensions (mm)												Basic Load Rating		Weight (g)
	h	D	W	H	G	A	B	E	S1xe	S2	C	L	C N	Co N	
SC8SUU	11	17	34	22	18	6	24	5	M4X8	3.4	7.7	15.4	274	392	27
SC10SUU	13	20	40	26	21	8	28	6	M5X12	4.3	9.95	19.9	372	549	53
SC12SUU	15	21	42	28	24	8	30.5	5.75	M5X12	4.3	10.45	20.9	510	784	60
SC13SUU	15	22	44	30	24.5	8	33	5.5	M5X12	4.3	10.45	20.9	510	784	64
SC16SUU	19	25	50	38.5	32.5	9	36	7	M5X12	4.3	12	24	774	1180	110
SC20SUU	21	27	54	41	35	11	40	7	M6X12	5.2	14	28	882	1370	144
SC25SUU	26	38	76	51.5	42	12	54	11	M8X18	7	18.9	37.8	980	1570	340
SC30SUU	30	39	78	59.5	49	15	58	10	M8X18	7	20.65	41.3	1574	2740	424
SC35SUU	34	45	90	68	54	18	70	10	M8X18	7	22.65	45.3	1670	3140	626
SC40SUU	40	51	102	78	62	20	80	11	M10X25	8.7	28.15	56.3	2160	4020	1000
SC50SUU	52	61	122	102	80	25	100	11	M10X25	8.7	34.4	68.8	3820	7940	2100



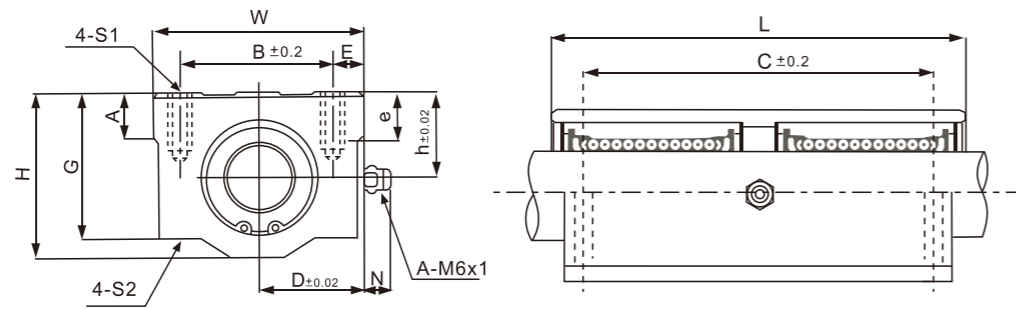
SC



Part No.	Main Dimensions (mm)												Basic Load Rating		Weight (g)
	h	D	W	H	G	A	B	E	S1xe	S2	C	L	C N	Co N	
SC8UU	11	17	34	22	18	6	24	5	M4X8	3.4	18	30	274	392	52
SC10UU	13	20	40	26	21	8	28	6	M5X12	4.3	21	35	372	549	92
SC12UU	15	21	42	28	24	8	30.5	5.75	M5X12	4.3	26	36	510	784	102
SC13UU	15	22	44	30	24.5	8	33	5.5	M5X12	4.3	26	39	510	784	120
SC16UU	19	25	50	38.5	32.5	9	36	7	M5X12	4.3	34	44	774	1180	200
SC20UU	21	27	54	41	35	11	40	7	M6X12	5.2	40	50	882	1370	255
SC25UU	26	38	76	51.5	42	12	54	11	M8X18	7	50	67	980	1570	600
SC30UU	30	39	78	59.5	49	15	58	10	M8X18	7	58	72	1574	2740	735
SC35UU	34	45	90	68	54	18	70	10	M8X18	7	60	80	1670	3140	1100
SC40UU	40	51	102	78	62	20	80	11	M10X25	8.7	60	90	2160	4020	1590
SC50UU	52	61	122	102	80	25	100	11	M10X25	8.7	80	110	3820	7940	3340



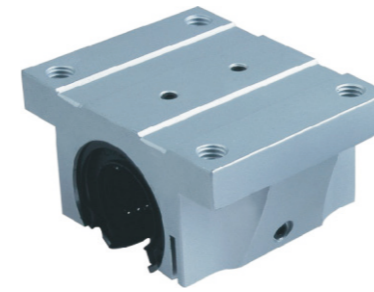
SC_L



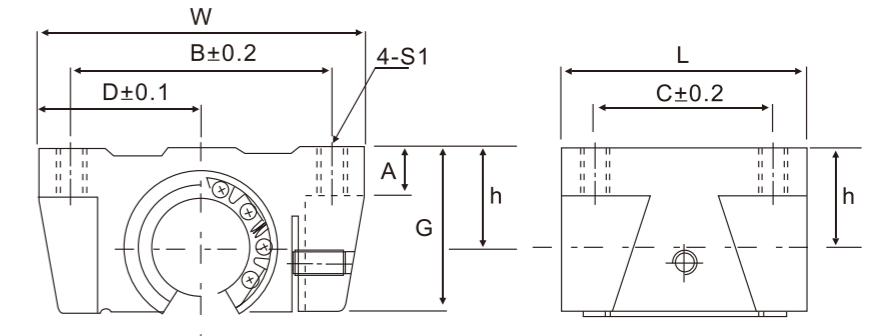
Part No.	Main Dimensions (mm)													Basic Load Rating		Weight (g)
	h	D	W	H	G	N	A	B	E	S1xe	S2	C	L	C	Co	
SC8LUU	11	17	34	22	18	7	6	24	5	M4x8	3.4	42	58	431	784	102
SC10LUU	13	20	40	26	21	7	8	28	6	M5X12	4.3	46	68	588	1100	180
SC12LUU	15	21	42	28	24	6.5	8	30.5	5.75	M5X12	4.3	50	70	813	1570	250
SC13LUU	15	22	44	30	24.5	6.5	8	33	5.5	M5X12	4.3	50	75	813	1570	240
SC16LUU	19	25	50	38.5	32.5	6	9	36	7	M5X12	4.3	60	85	1230	2350	400
SC20LUU	21	27	54	41	35	7	11	40	7	M6X12	5.2	70	96	1410	2740	570
SC25LUU	26	38	76	51.5	42	4	12	54	11	M8X18	7	100	130	1610	3140	1200
SC30LUU	30	39	78	59.5	49	5	15	58	10	M8X18	7	110	140	2450	5490	1480
SC35LUU	34	45	90	68	54	5.5	18	70	10	M8X18	7	120	155	2650	6270	2200
SC40LUU	40	51	102	78	62	5	20	80	11	M10X25	8.7	140	175	3430	8040	3200
SC50LUU	52	61	122	102	80	5	25	100	11	M10X25	8.7	160	215	6080	15900	6700



4-2 TBR Series



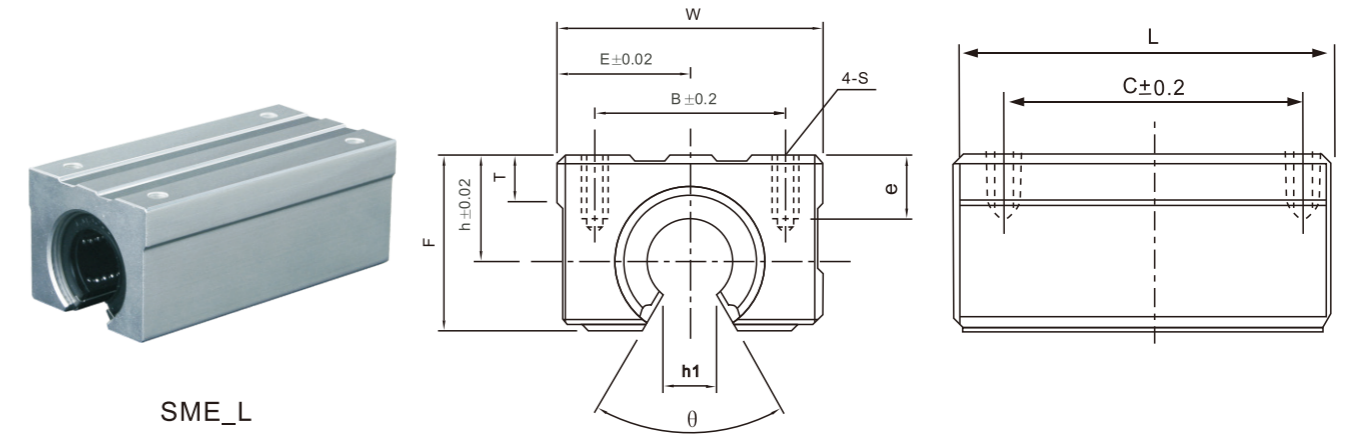
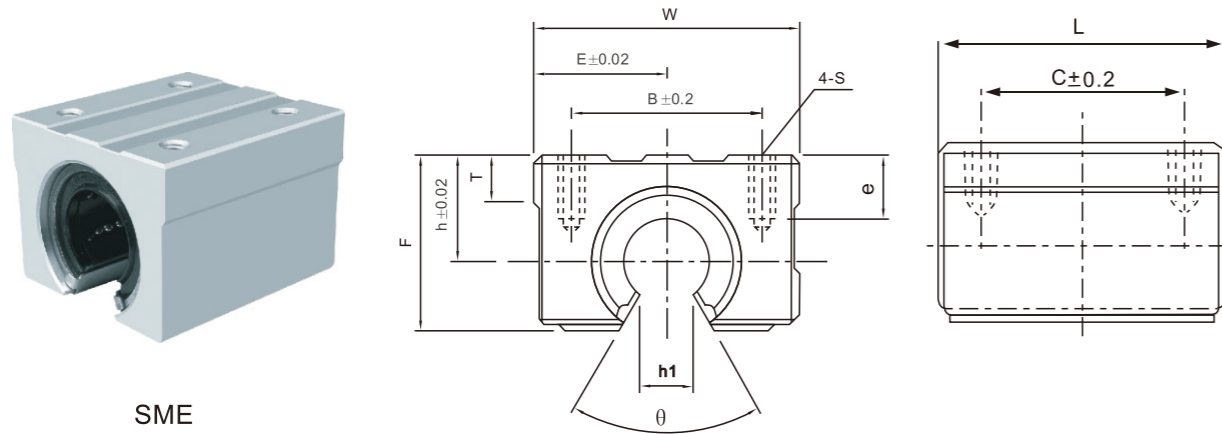
TBR



Part No.	Main Dimensions (mm)										Basic Load Rating		Weight (g)
	W	G	A	L	B	D	C	h	S1	C	Co		
TBR16UU	62	26	8	42	50	31	30	18	M5	392	490	180	
TBR20UU	68	31	10	51	54	34	37	21	M6	784	1176	300	
TBR25UU	82	41	12	65	65	41	50	28	M8	1568	2352	600	
TBR30UU	91	48	12	75	75	45.5	60	33.5	M8	1764	2940	900	



4-3 SME Series



Part No.	Main Dimensions (mm)											Slide Bush	Basic Load Rating		Weight (g)
	h	D	W	L	F	T	h1	θ	B	C	Sxe		C N	Co N	
SME16UU	20	22.5	45	45	33	9	10	80°	32	30	M5x12	LM16UU-OP	774	1180	150
SME20UU	23	24	48	50	39	11	10	60°	35	35	M6x12	LM20UU-OP	882	1370	200
SME25UU	27	30	60	65	47	14	11.5	50°	40	40	M6x12	LM25UU-OP	980	1570	450
SME30UU	33	35	70	70	56	15	14	50°	50	50	M8x18	LM30UU-OP	1570	2740	630
SME35UU	37	40	80	80	63	18	16	50°	55	55	M8x18	LM35UU-OP	1670	3140	925
SME40UU	42	45	90	90	72	20	19	50°	65	65	M10x20	LM40UU-OP	2160	4020	1330
SME50UU	53	60	120	110	92	25	23	50°	94	80	M10x20	LM50UU-OP	3820	7940	3000

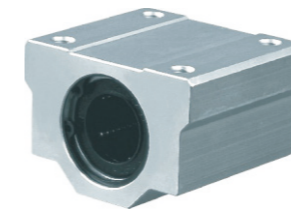
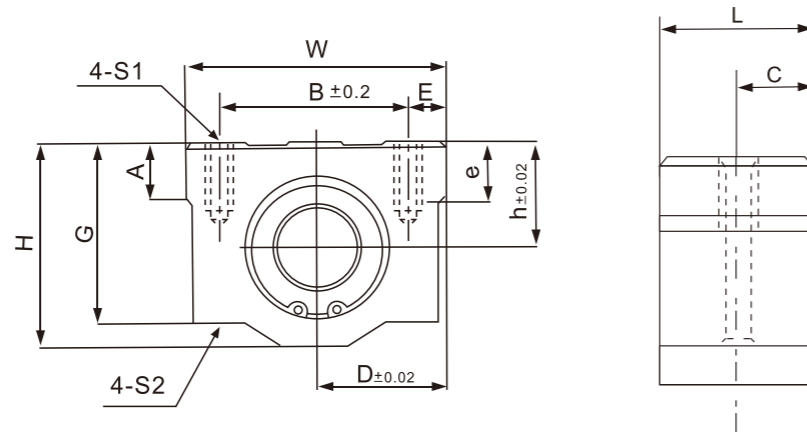
Part No.	Main Dimensions (mm)											Slide Bush	Basic Load Rating		Weight (g)
	h	D	W	L	F	T	h1	θ	B	C	Sxe		C N	Co N	
SME16LUU	20	22.5	45	85	33	9	10	80°	32	60	M5x12	LM16UU-OPx2	1230	2350	300
SME20LUU	23	24	48	95	39	11	10	60°	35	70	M6x12	LM20UU-OPx2	1400	2740	400
SME25LUU	27	30	60	130	47	14	11.5	50°	40	90	M6x12	LM25UU-OPx2	1560	3140	900
SME30LUU	33	35	70	140	56	15	14	50°	50	100	M8x18	LM30UU-OPx2	2490	5490	1260



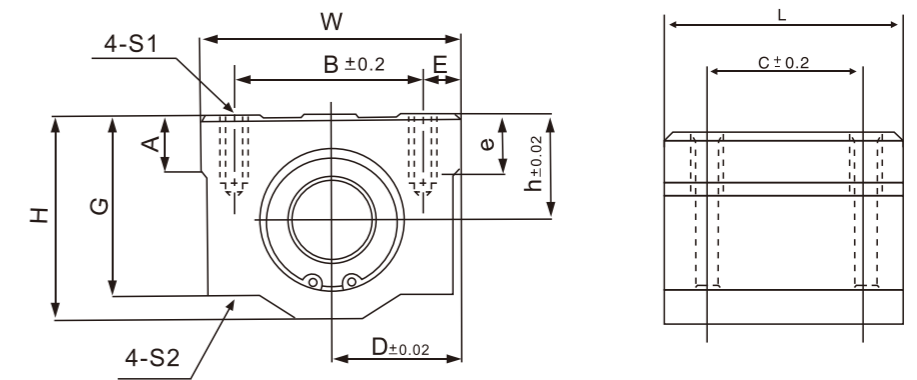
4-4 KBA Series



KBA_S



KBA



Part No.	Main Dimensions (mm)												Basic Load Rating		Weight (g)
	h	D	W	H	G	A	B	E	S1xe	S2	C	L	C N	Co N	
KBA8SUU	11	17	34	22	18	6	24	5	M4X8	3.4	7.2	14.4	274	392	25
KBA12SUU	15	22	44	30	24.5	8	33	5.5	M5X12	4.3	10.4	20.8	510	784	65
KBA16SUU	19	25	50	38.5	32.5	9	36	7	M5X12	4.3	11.2	22.4	774	1180	100
KBA20SUU	21	27	54	41	35	11	40	7	M6X12	5.2	14.5	29	882	1370	148
KBA25SUU	26	38	76	51.5	42	12	54	11	M8X18	7	20.45	40.9	980	1570	368
KBA30SUU	30	39	78	59.5	49	15	58	10	M8X18	7	24.45	48.9	1574	2740	500
KBA40SUU	40	51	102	78	62	20	80	11	M10X25	8.7	28.2	56.4	2160	4020	1000
KBA50SUU	52	61	122	102	80	25	100	11	M10X25	8.7	36.2	72.4	3820	7940	2205

Part No.	Seal Type	Shaft Diameter	Main Dimensions (mm)											Weight (g)	
			h	D	W	L	H	G	T	B	C	E	S1xe		S2
KBA10UU		10	13	20	40	35	26	21	8	28	21	6	M5x12	4.3	92
KBA12UU		12	15	22	44	39	30	24.5	8	33	26	5.5	M5x12	4.3	120
KBA16UU		16	19	25	50	44	38.5	32.5	9	36	34	7	M5x12	4.3	200
KBA20UU		20	21	27	54	53	41	35	11	40	40	7	M6x12	5.2	270
KBA25UU		25	26	38	76	67	51.5	42	12	54	50	11	M8x18	7	600
KBA30UU		30	30	39	78	76	59.5	49	15	58	58	10	M8x18	7	776
KBA40UU		40	40	51	102	90	78	62	20	80	60	11	M10x25	8.7	1590
KBA50UU		50	52	61	122	110	102	80	25	100	80	11	M10x25	8.7	3340
KBA60UU		60	58	66	132	137	114	94	30	108	90	12	M12x25	10.7	4800

Linear Bushing - KBA_L Series

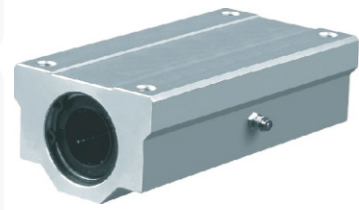


Linear Guideways

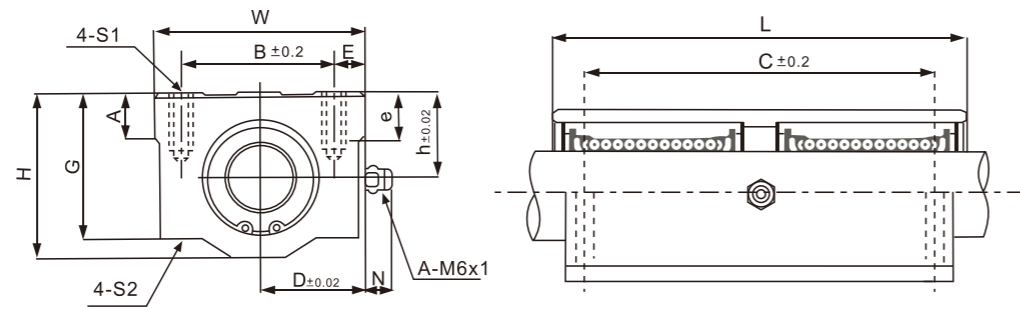
Ball Screw

Support

Linear Bushing



KBA_L



Part No.		Main Dimensions (mm)											Weight (g)	
Seal Type	Shaft Diameter	h	D	W	L	H	G	T	B	C	E	S1xe		S2
KBA10LUU	10	13	20	40	68	26	21	8	28	46	6	M5x12	4.3	180
KBA12LUU	12	15	22	44	77	30	24.5	8	33	64	5.5	M5x12	4.3	237
KBA16LUU	16	19	25	50	89	38.5	32.5	9	36	79	7	M5x12	4.3	405
KBA20LUU	20	21	27	54	100	41	35	11	40	90	7	M6x12	5.2	510
KBA25LUU	25	26	38	76	136	51.5	42	12	54	119	11	M8x18	7	1220
KBA30LUU	30	30	39	78	154	59.5	49	15	58	132	10	M8x18	7	1580
KBA40LUU	40	40	51	102	180	78	62	20	80	150	11	M10x25	8.7	3180
KBA50LUU	50	52	61	122	230	102	80	25	100	200	11	M10x25	8.7	6990

Linear Bushing - KBE Series



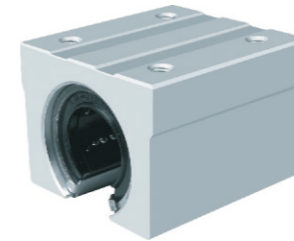
Linear Guideways

Ball Screw

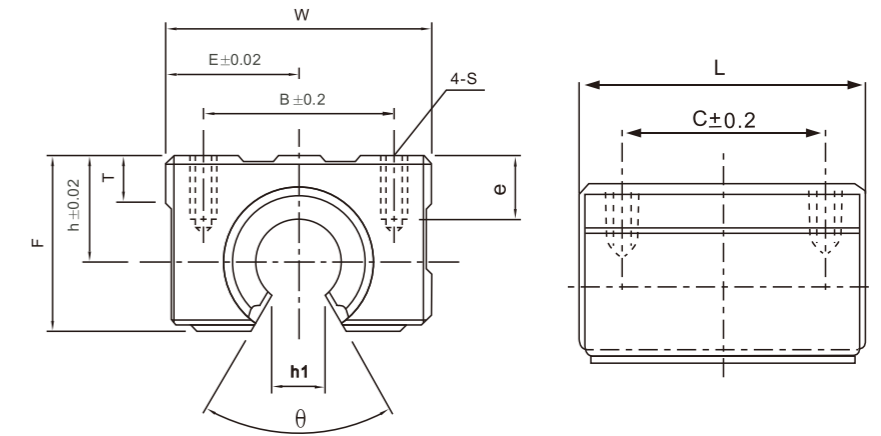
Support

Linear Bushing

4-5 KBE Series



KBE



Part No.		Main Dimensions (mm)											Basic Load Rating		Weight (g)
Seal Type	Shaft Diameter	h	D	W	L	H	T	h1	θ	B	C	Sxe	C/N	Co/N	
KBE16UU	16	20	22.5	45	45	33	9	10	80°	32	30	M5x12	774	1180	150
KBE20UU	20	23	24	48	50	39	11	10	60°	35	35	M6x12	882	1370	200
KBE25UU	25	27	30	60	65	47	14	11.5	60°	40	40	M6x12	980	1570	450
KBE30UU	30	33	35	70	70	56	15	14	60°	50	50	M8x18	1570	2740	630
KBE40UU	40	42	45	90	90	72	20	19	60°	65	65	M10x20	2160	4020	1330
KBE50UU	50	53	60	120	110	92	25	23	60°	94	80	M10x20	3820	7940	3000