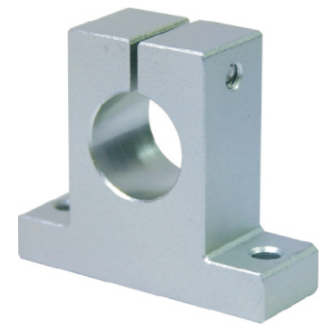
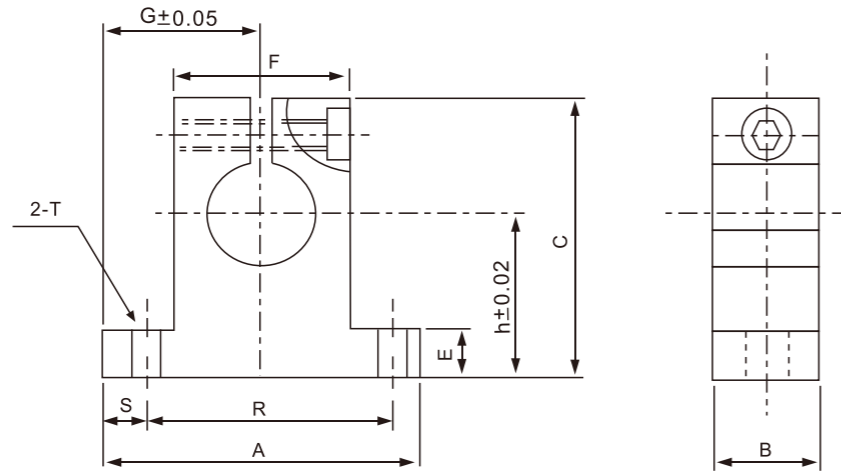




5 Shaft Support 5-1 SK Series



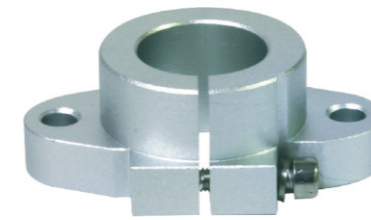
SK



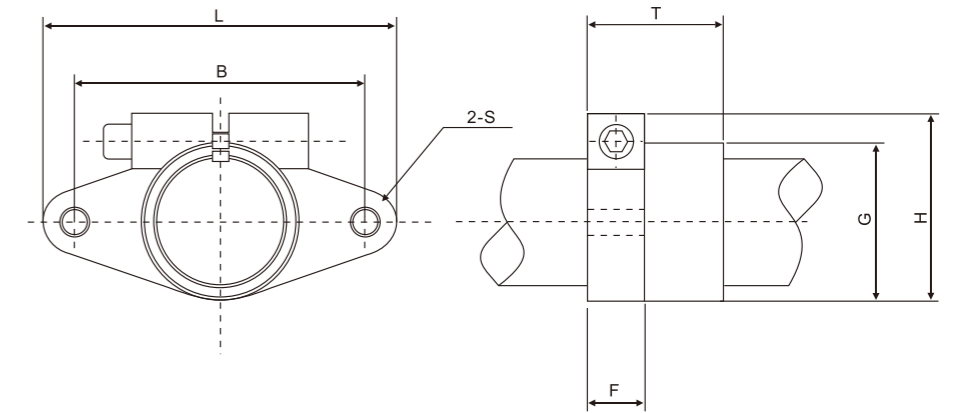
Part No.	Shaft diameter	Main Dimensions (mm)										Clamping bolt designation	Mounting bolt designation	Weight (g)
		h	G	A	B	C	E	F	R	S	T			
SK-8	8	20	21	42	14	32.8	6	18	32	5	5.5	M4	M5	24
SK-10	10	20	21	42	14	32.8	6	18	32	5	5.5	M4	M5	24
SK-12	12	23	21	42	14	37.5	6	20	32	5	5.5	M4	M5	30
SK-13	13	23	21	42	14	37.5	6	20	32	5	5.5	M4	M5	30
SK-16	16	27	24	48	16	44	8	25	38	5	5.5	M4	M5	40
SK-20	20	31	30	60	20	51	10	30	45	7.5	6.6	M5	M6	70
SK-25	25	35	35	70	24	60	12	38	56	7	6.6	M6	M6	130
SK-30	30	42	42	84	28	70	12	44	64	10	9	M6	M8	180
SK-35	35	50	49	98	32	82	15	50	74	12	11	M8	M10	270
SK-40	40	60	57	114	36	96	15	60	90	12	11	M8	M10	420
SK-50	50	70	63	126	40	120	18	74	100	13	14	M12	M12	750



5-2 SHF Series



SHF



Part No.	Shaft diameter	Main Dimensions (mm)							Clamping bolt designation	Mounting bolt designation	Weight (g)
		L	T	F	B	G	H	S			
SHF-10	10	43	10	5	32	20	24	5.5	M5	M4	13
SHF-12	12	47	13	7	36	25	28	5.5	M5	M4	20
SHF-13	13	47	13	7	36	25	28	5.5	M5	M4	20
SHF-16	16	50	16	8	40	28	31	5.5	M5	M4	27
SHF-20	20	60	20	8	48	34	37	7	M6	M5	40
SHF-25	25	70	25	10	56	40	42	7	M6	M5	60
SHF-30	30	80	30	12	64	46	50	9	M8	M6	110
SHF-35	35	92	35	14	72	50	58	12	M10	M8	380
SHF-40	40	105	40	16	80	56	67	12	M10	M10	510
SHF-50	50	122	50	19	96	70	83	14	M12	M12	890