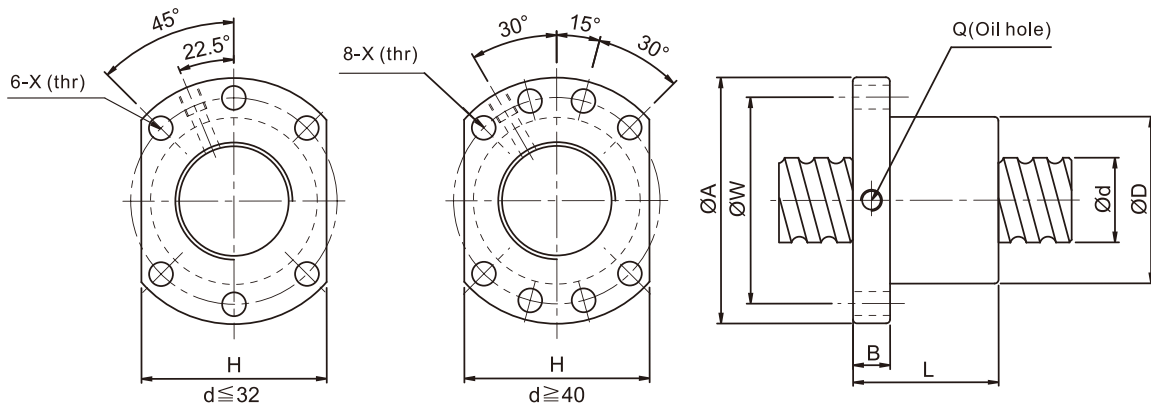


# Ball Screw - SFU Series



## 2-4 Size Table of SFU Ball Screws



l:Lead Da:Ball Diameter n:Number of Circuits K:Stiffness(Kgf/μm)

Ca:Basic Dynamic Rating Load(Kgf) Coa: Basic Static Rating Load(Kgf)

Unit:mm

Model no.	d	l	Da	Dimension									Load Rating Ca(kgf)	Load Rating Coa(kgf)
				D	A	B	L	W	H	X	Q	n		
☆ SFU 1204-3	12	4	2.5	24	40	10	40	32	30	4.5	M6×1	1×3	415	709
SFU 1604-3	16	4	2.381	28	48	10	36	38	40	5.5	M6×1	1×3	488	940
☆ SFU 1605-3		5	3.175	28	48	10	42	38	40	5.5	M6×1	1×3	666	1143
☆ SFU 1605-4		5	3.175	28	48	10	50	38	40	5.5	M6×1	1×4	1127	2288
☆ SFU 1610-3		10	3.175	28	48	10	57	38	40	5.5	M6×1	1×3	909	1848
SFU 2004-3	20	4	2.381	36	58	10	42	47	44	6.6	M6×1	1×3	541	1187
☆ SFU 2005-3		5	3.175	36	58	10	42	47	44	6.6	M6×1	1×3	749	1495
☆ SFU 2005-4		5	3.175	36	58	10	51	47	44	6.6	M6×1	1×4	1268	2991
SFU 2504-3	25	4	2.381	40	62	10	42	51	48	6.6	M6×1	1×3	605	1534
☆ SFU 2505-3		5	3.175	40	62	10	42	51	48	6.6	M6×1	1×3	839	1935
☆ SFU 2505-4		5	3.175	40	62	10	51	51	48	6.6	M6×1	1×4	1420	3872
☆ SFU 2510-3		10	4.762	40	62	10	70	51	48	6.6	M6×1	1×3	1427	2771
☆ SFU 2510-4	10	4.762	40	62	12	85	51	48	6.6	M6×1	1×4	2415	5543	
☆ SFU 3205-4	32	5	3.175	50	80	12	52	65	62	9	M6×1	1×4	1604	5103
SFU 3210-3		10	6.35	50	80	12	74	65	62	9	M6×1	1×3	2319	4575
SFU 3210-4		10	6.35	50	80	12	90	65	62	9	M6×1	1×4	3924	9152
SFU 4005-4	40	5	3.175	63	93	14	55	78	70	9	M8×1	1×4	1786	6512
SFU 4010-3		10	6.35	63	93	14	71	78	70	9	M8×1	1×3	2610	5834
SFU 4010-4		10	6.35	63	93	14	93	78	70	9	M8×1	1×4	4417	11669
SFU 5010-4	50	10	6.35	75	110	16	93	93	85	11	M8×1	1×4	4947	15488
SFU 6310-4	63	10	6.35	90	125	18	98	108	95	11	M8×1	1×4	5586	20417
SFU 6320-4		20	9.525	95	135	20	149	115	100	13.5	M8×1	1×4	9397	28512
SFU 8010-4	80	10	6.35	105	145	20	98	125	110	13.5	M8×1	1×4	6219	26049
SFU 8020-4		20	9.525	125	165	25	154	145	130	13.5	M8×1	1×4	10665	38018

Note:with sign ☆ can produce left helix