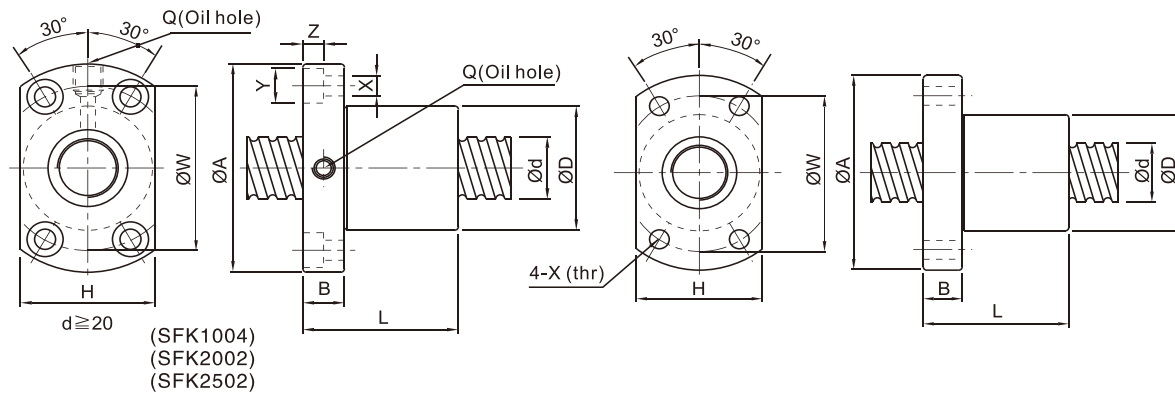




2-6 Size Table of SFK Ball Screws



I:Lead D_a :Ball Diameter n :Number of Circuits K :Stiffness(Kgf/ μm)

C_a :Basic Dynamic Rating Load(Kgf) C_{oa} : Basic Static Rating Load(Kgf)

Unit:mm

Model no.	d	I	D_a	Dimension										Load Rating C_a (kgf)	Load Rating C_{oa} (kgf)	
				D	A	B	L	W	H	X	Y	Z	Q			n
SFK0401	4	1	0.8	10	20	3	12	15	14	2.9	-	-	-	1×2	64	97
SFK0601	6	1	0.8	12	24	3.5	15	18	16	3.4	-	-	-	1×3	111	224
SFK0801	8	1	0.8	14	27	4	16	21	18	3.4	-	-	-	1×4	161	403
SFK0802		2	1.2	14	27	4	16	21	18	3.4	-	-	-	1×3	222	458
SFK082.5		2.5	1.2	16	29	4	26	23	20	3.4	-	-	-	1×3	221	457
SFK1002	10	2	1.2	18	35	5	28	27	22	4.5	-	-	-	1×3	243	569
SFK1004		4	2	26	46	10	34	36	28	4.5	8	4.5	M6	1×3	468	905
SFK1204	12	2	1.2	20	37	5	28	29	24	4.5	-	-	-	1×4	334	906
SFK1205		4	2.5	24	40	6	28	32	25	3.5	-	-	-	1×3	454	722
SFK 1202		5	2.5	22	37	8	39	29	24	4.5	-	-	-	1×3	675	1316
SFK 1402	14	2	1.2	21	40	6	23	31	26	5.5	-	-	-	1×4	354	1053
SFK1602	16	2	1.2	25	43	10	40	35	29	5.5	-	-	M6	1×4	373	1200
SFK2002	20	2	1.2	50	80	15	55	65	68	6.5	10.5	6	M6	1×6	581	2284
SFK2502	25	2	1.2	50	80	13	43	65	68	6.5	10.5	6	M6	1×5	540	2381