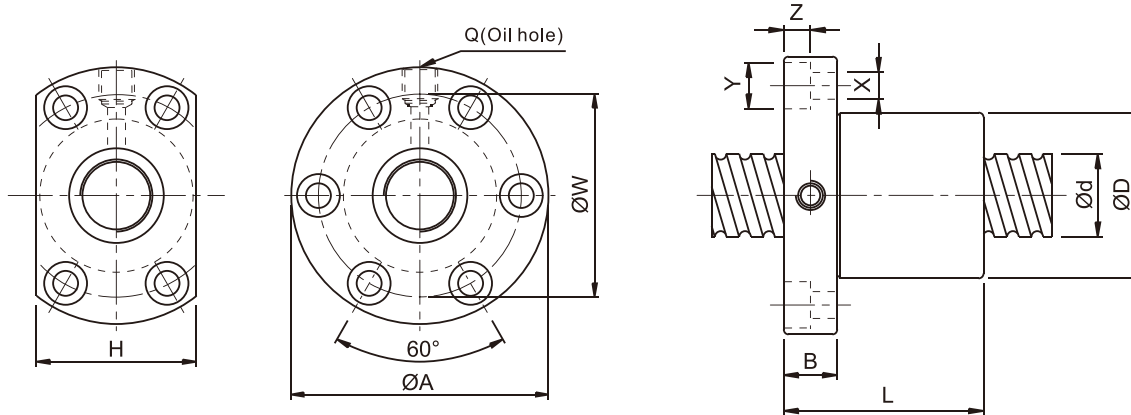




2-10 Size Table of SFI Ball Screws



I:Lead Da:Ball Diameter n:Number of Circuits K:Stiffness(Kgf/μm)

Ca:Basic Dynamic Rating Load(Kgf) Coa: Basic Static Rating Load(Kgf)

Unit:mm

Model no.	d	I	Da	Dimension											Load Rating Ca(kgf)	Load Rating Coa(kgf)
				D	A	B	L	W	H	X	Y	Z	Q	n		
☆ SFI1605-4	16	5	3.175	30	49	10	50	39	34	4.5	8	4.5	M6×1	1×4	1127	2288
☆ SFI1610-3		10	3.175	34	58	10	57	45	34	5.5	9.5	5.5	M6×1	1×3	909	1848
☆ SFI2005-4	20	5	3.175	34	57	11	51	45	40	5.5	9.5	5.5	M6×1	1×4	1268	2991
☆ SFI2505-4	25	5	3.175	40	63	11	51	51	46	5.5	9.5	5.5	M8×1	1×4	1420	3872
☆ SFI2510-4		10	4.762	46	72	12	85	58	52	6.5	11	6.5	M8×1	1×4	2415	5543
☆ SFI3205-4	32	5	3.175	46	72	12	52	58	52	6.5	11	6.5	M8×1	1×4	1604	5103
☆ SFI3210-4		10	6.35	54	88	15	90	70	62	9	14	8.5	M8×1	1×4	3924	9152
☆ SFI4005-4	40	5	3.175	56	90	15	55	72	64	9	14	8.5	M8×1	1×4	1786	6512
☆ SFI4010-4		10	6.35	62	104	18	93	82	70	11	17.5	11	M8×1	1×4	4417	11669
☆ SFI5010-4	50	10	6.35	72	114	18	93	92	82	11	17.5	11	M8×1	1×4	4947	15488
☆ SFI6310-4	63	10	6.35	85	131	22	98	107	95	14	20	13	M8×1	1×4	5586	20417
☆ SFI8010-4	80	10	6.35	105	150	22	98	127	115	14	20	13	M8×1	1×4	6219	26049

Note:with sign ☆ can produce left helix