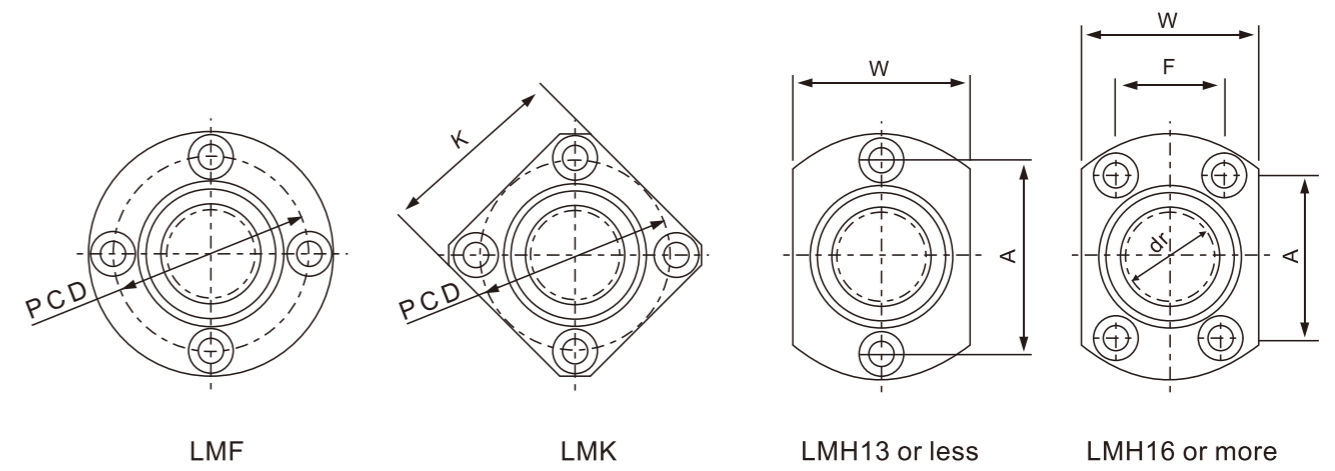
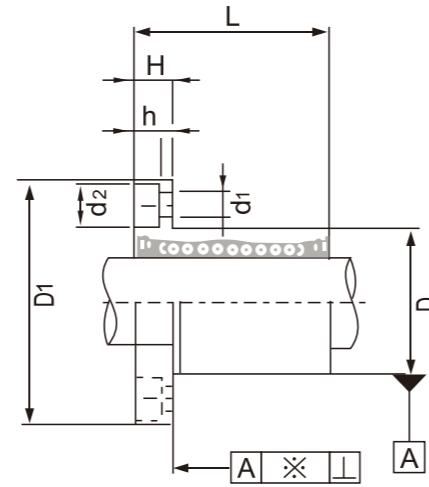




3 Flanged Linear Motion Ball Bearing
3-1 LMF/K/H Series



Linear Guideways

Ball Screw

Support

Linear Bushing

Linear Guideways

Ball Screw

Support

Linear Bushing

Part No.			Main Dimensions and Tolerance												
Seal Type	Ball Circuit	dr (mm)	Tolerance (μm)	D (mm)	Tolerance (μm)	L (mm)	Tolerance (μm)	D1 (mm)	H (mm)	PCD (mm)	K (mm)	W (mm)	A (mm)		
LMF6UU	LMK6UU	LMH6UU	4	6	0 -11	12	19	±300	28	5	20	22	18	20	
LMF8UU	LMK8UU	LMH8UU	4	8		15	24		32	5	24	25	21	24	
☆LMF10UU	☆LMK10UU	☆LMH10UU	4	10		19	29		40	6	29	30	25	29	
☆LMF12UU	☆LMK12UU	☆LMH12UU	4	12	0 -13	21	30	-200	42	6	32	32	27	32	
LMF13UU	LMK13UU	LMH13UU	4	13		23	32		43	6	33	34	29	33	
☆LMF16UU	☆LMK16UU	☆LMH16UU	5	16		28	37		48	6	38	37	34	31	
☆LMF20UU	☆LMK20UU	☆LMH20UU	5	20	0 -16	32	42	-300	54	8	43	42	38	36	
☆LMF25UU	☆LMK25UU	☆LMH25UU	6	25		40	59		62	8	51	50	46	40	
☆LMF30UU	☆LMK30UU	☆LMH30UU	6	30		45	64		74	10	60	58	51	49	
LMF35UU	LMK35UU	LMK35UU	6	35	0 -19	52	70	-300	82	10	67	64	60	55	
☆LMF40UU	☆LMK40UU	LMK40UU	6	40		60	80		96	13	78	75	70	64	
LMF50UU	LMK50UU	-	6	50		80	100		116	13	98	92	-	-	
LMF60UU	LMK60UU	-	6	60	0/-15	90	0/-22	110	-400	134	18	112	106	-	

Note : ☆ means steel retainer is available.

F (mm)	d1xd2xh (mm)	Eccentricity (max) μm	Radial Clearance (max) μm	Basic Load Rating		Weight (g)
				C N	Co N	
-	3.5x6x3.1	12	-3	206	265	24
-	3.5x6x3.1			274	392	37
-	4.5x7.5x4.1			372	549	72
-	4.5x7.5x4.1	15	-4	510	784	76
-	4.5x7.5x4.1			510	784	88
22	4.5x7.5x4.1			774	1180	120
24	5.5x9x5.1	20	-6	882	1370	180
32	5.5x9x5.1			980	1570	340
35	6.6x11x6.1			1570	2740	470
38	6.6x11x6.1	25	-8	1670	3140	650
45	9x14x8.1			2160	4020	1060
-	9x14x8.1			3820	7940	2200
-	11x17x11.1	-13	-10	4700	10000	3000
-	11x17x11.1			4700	10000	3000



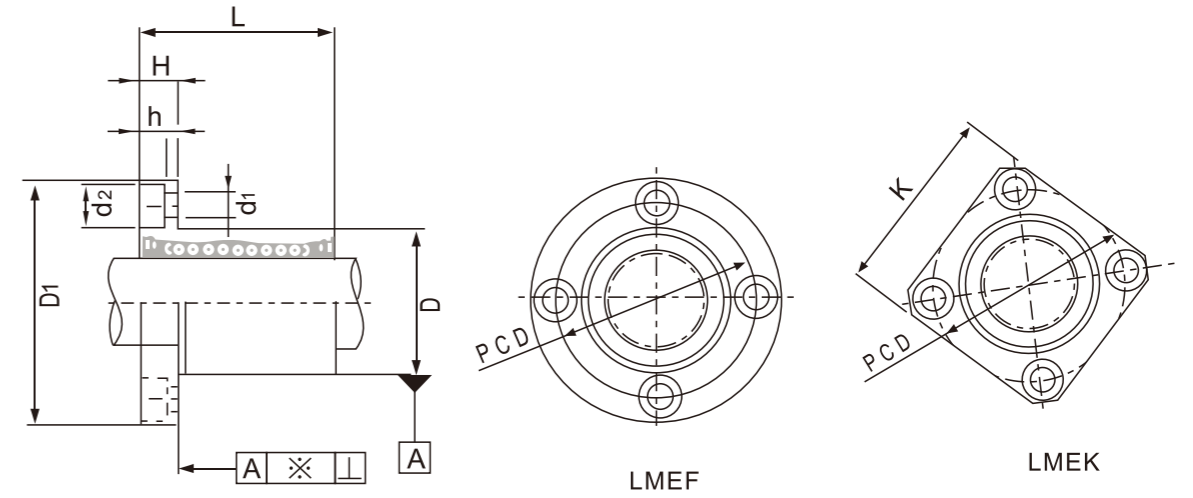
3-2 LMEF/K/H Series



LMEF



LMEK



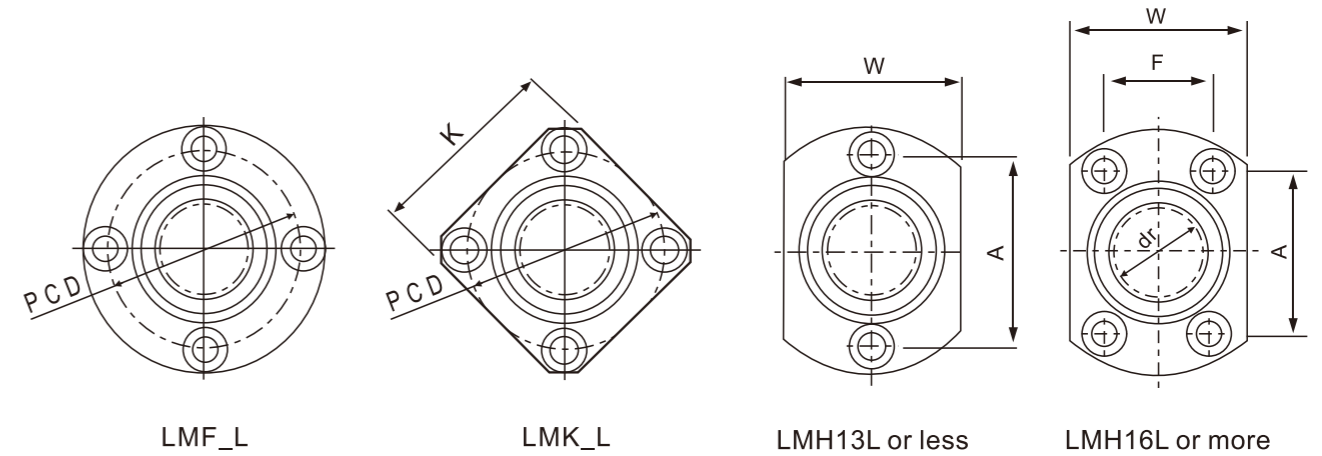
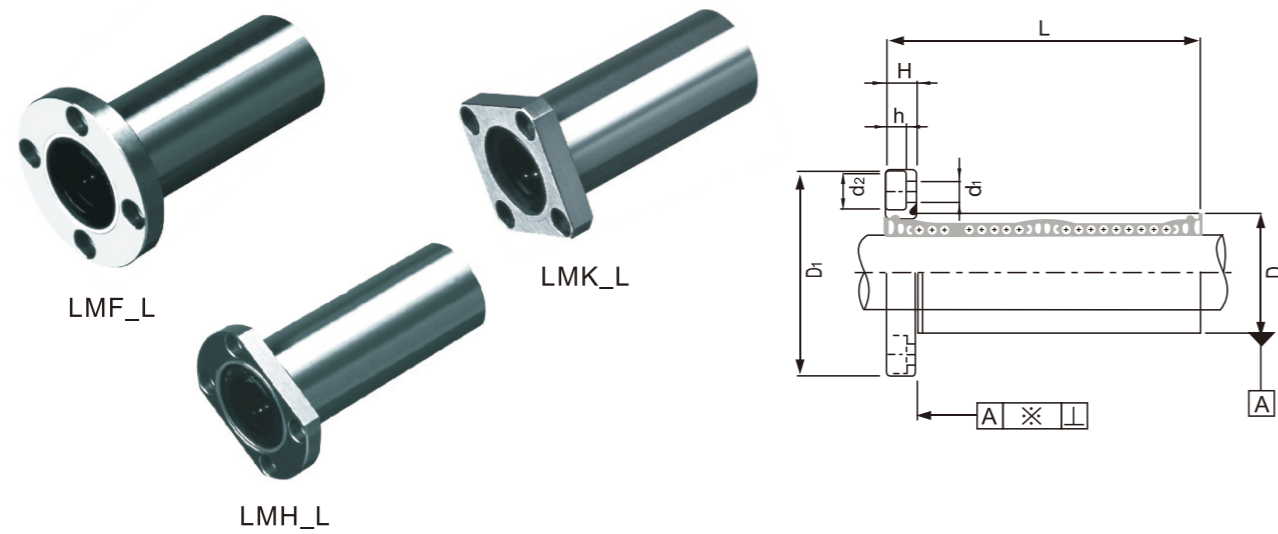
Part No.			Main Dimensions and Tolerance							
Seal Type	Ball Circuit		dr (mm)	Tolerance (μm)	D (mm)	Tolerance (μm)	L (mm)	Tolerance (μm)	D1 (mm)	
LMEF8UU	LMEK8UU	LMEH8UU	4	8	16	0/-11	25	±300	32	
☆ LMEF12UU	☆ LMEK12UU	☆ LMEH12UU	4	12	22	0	32		42	
☆ LMEF16UU	☆ LMEK16UU	☆ LMEH16UU	5	16	26	-13	36	-200	46	
☆ LMEF20UU	☆ LMEK20UU	☆ LMEH20UU	5	20	32		45		54	
☆ LMEF25UU	☆ LMEK25UU	☆ LMEH25UU	6	25	40	0	58		62	
☆ LMEF30UU	☆ LMEK30UU	☆ LMEH30UU	6	30	47	-16	68		76	
☆ LMEF40UU	☆ LMEK40UU	☆ LMEH40UU	6	40	62	0	80	-300	98	
LMEF50UU	LMEK50UU	LMEH50UU	6	50	75	-19	100		112	
LMEF60UU	LMEK60UU	LMEH60UU	6	60	90	0/-22	125	-400	134	

Note : ☆ means steel retainer is available.

Main Dimensions and Tolerance				Eccentricity (max) μm	Radial Clearance (max) μm	Basic Load Rating		Weight (g)
H (mm)	PCD (mm)	K (mm)	d1xd2xh (mm)			C N	Co N	
5	24	25	3.5x6x3.1	12	-3	265	402	41
6	32	32	4.5x7.5x4.1		-4	510	784	80
6	36	35	4.5x7.5x4.1	15		-6	578	892
8	43	42	5.5x9x5.1		862		1370	182
8	51	50	5.5x9x5.1		980		1570	335
10	62	60	6.6x11x6.1	20	-8	1570	2740	560
13	80	75	9x14x8.1			2160	4020	1175
13	94	88	9x14x8.1			3820	7940	1745
18	112	106	11x17x11.1	25	-13	4700	9800	3220



3-3 LMF/K/H_L Series



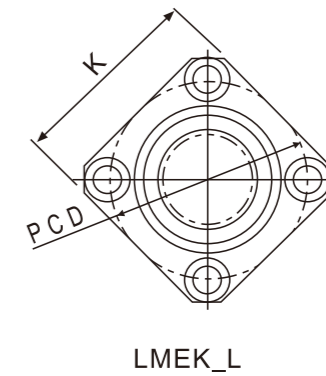
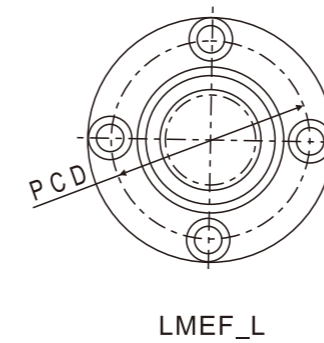
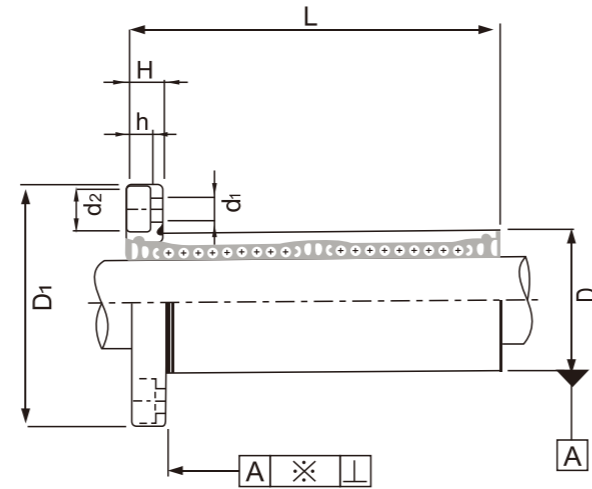
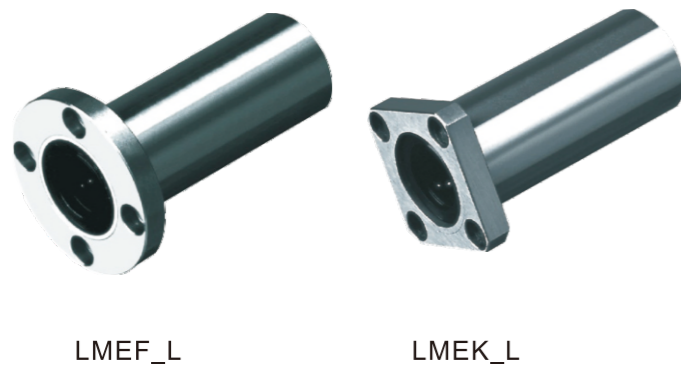
Part No.			Main Dimensions and Tolerance							
Seal Type	Ball Circuit	dr (mm)	Tolerance (μm)	D (mm)	Tolerance (μm)	L (mm)	Tolerance (μm)	D1 (mm)	H (mm)	
LMF6LUU LMK6LUU LMH6LUU	4	6	0 -10	12	0 -13	35	±300	28	5	
LMF8LUU LMK8LUU LMH8LUU	4	8		15		45		32	5	
☆ LMF10LUU ☆ LMK10LUU ☆ LMH10LUU	4	10		19		55		40	6	
☆ LMF12LUU ☆ LMK12LUU ☆ LMH12LUU	4	12	0 -16	21	0 -16	57	-300	42	6	
LMF13LUU LMK13LUU ☆ LMH13LUU	4	13		23		61		43	6	
☆ LMF16LUU ☆ LMK16LUU ☆ LMH16LUU	5	16	0 -12	28	0 -19	70	-400	48	6	
☆ LMF20LUU ☆ LMK20LUU ☆ LMH20LUU	5	20		32		80		54	8	
☆ LMF25LUU ☆ LMK25LUU ☆ LMH25LUU	6	25		40		112		62	8	
☆ LMF30LUU ☆ LMK30LUU ☆ LMH30LUU	6	30	0 -15	45	0 -22	123	-400	74	10	
LMF35LUU LMK35LUU LMH35LUU	6	35		52		135		82	10	
☆ LMF40LUU LMK40LUU -	6	40	0 -15	60	0 -22	151	-400	96	13	
LMF50LUU LMK50LUU -	6	50		80		192		116	13	
LMF60LUU LMK60LUU -	6	60	0/-20	90	0/-25	209	-400	134	18	

Note : ☆ means steel retainer is available.

Main Dimensions and Tolerance						Eccentricity (max) μm	Radial Clearance (max) μm	Basic Load Rating		Weight (g)
PCD (mm)	K (mm)	W (mm)	A (mm)	F (mm)	d1xd2xh (mm)			C N	Co N	
20	22	18	20	-	3.5x6x3.1	15	-3	323	529	31
24	25	21	24	-	3.5x6x3.1		-3	431	784	51
29	30	25	29	-	4.5x7.5x4.1		-4	588	1100	98
32	32	27	32	-	4.5x7.5x4.1		-4	813	1570	110
33	34	29	33	-	4.5x7.5x4.1		-4	813	1570	130
38	37	34	31	22	4.5x7.5x4.1		-6	1230	2350	190
43	42	38	36	24	5.5x9x5.1	20	-6	1400	2740	260
51	50	46	40	32	5.5x9x5.1		-6	1560	3140	540
60	58	51	49	35	6.6x11x6.1		-8	2490	5490	680
67	64	60	55	38	6.6x11x6.1	25	-8	2650	6270	1020
78	75	-	-	-	9x14x8.1		-10	3430	8040	1570
98	92	-	-	-	9x14x8.1		-13	6080	15900	3600
112	106	-	-	-	11x17x11.1		-13	7550	20000	4500



3-4 LMEF/K_L Series



Part No.		Main Dimensions and Tolerance								
Seal Type	Ball Circuit	dr (mm)	Tolerance (μm)	D (mm)	Tolerance (μm)	L (mm)	Tolerance (μm)	D1 (mm)	H (mm)	
LMEF8LUU	LMEK8LUU	4	8	+9 -1	16	0/-13	46	±300	32	5
☆ LMEF12LUU	☆ LMEK12LUU	4	12	+11 -1	22	0 -16	61	-300	42	6
☆ LMEF16LUU	☆ LMEK16LUU	5	16		26	68	46		6	
☆ LMEF20LUU	☆ LMEK20LUU	5	20	+13 -2	32	0 -19	80	-400	54	8
☆ LMEF25LUU	☆ LMEK25LUU	6	25		40	112	62		8	
☆ LMEF30LUU	☆ LMEK30LUU	6	30	+16 -4	47	0 -22	123	-400	76	10
☆ LMEF40LUU	☆ LMEK40LUU	6	40		62	151	98		13	
LMEF50LUU	LMEK50LUU	6	50	+16 -4	75	0 -22	192	-400	112	13
LMEF60LUU	LMEK60LUU	6	60		90	209	134		18	

Note : ☆ means steel retainer is available.

Main Dimensions and Tolerance			Eccentricity (max) μm	Radial Clearance (max) μm	Basic Load Rating		Weight (g)
PCD (mm)	K (mm)	d1xd2xh (mm)			C N	Co N	
24	25	3.5x6x3.1	12	-3	365	402	41
32	32	4.5x7.5x4.1		-4	510	784	80
36	35	4.5x7.5x4.1			578	892	103
43	42	5.5x9x5.1	15	-6	862	1370	182
51	50	5.5x9x5.1			980	1570	335
62	60	6.6x11x6.1		20	-8	1570	2740
80	75	9x14x8.1	2160			4020	1175
94	88	9x14x8.1	-13		3820	7940	1745
112	106	11x17x11.1		4700	9800	3220	

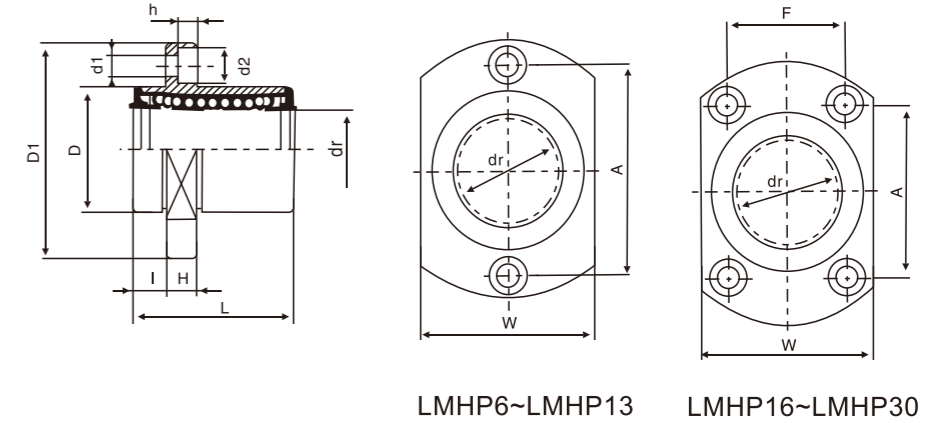
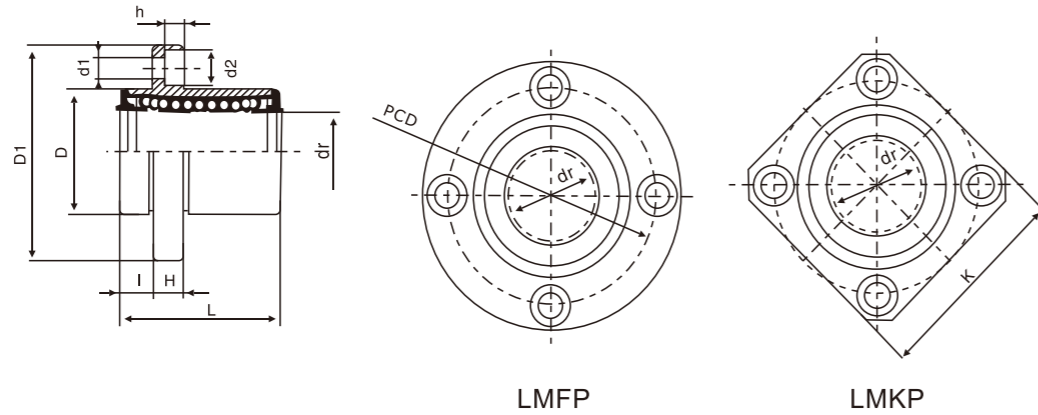
Linear Bushing - LMF/KP Series



Linear Bushing - LMHP Series



3-5 LMF/K/HP Series



Part No.		Main Dimensions and Tolerance													Eccentricity	Basic Load Rating		Weight (g)
Seal Type	Ball Circuit	dr (mm)	Tolerance (μm)	D (mm)	Tolerance (μm)	L (mm)	Tolerance (μm)	I (mm)	D1 (mm)	K (mm)	H (mm)	PCD (mm)	d1xd2xh (mm)	C		Co	N	
LMFP6UU	LMKP6UU	4	6	0	12	0	19	±300	5	28	22	5	20	3.5x6x3.1	12	206	265	24
LMFP8UU	LMKP8UU	4	8		15		24		5	32	25	5	24			3.5x6x3.1	274	392
☆LMFP10UU	☆LMKP10UU	4	10	0	19	0	29	-200	6	40	30	6	29	4.5x7.5x4.1	12	372	549	72
☆LMFP12UU	☆LMKP12UU	4	12		21		30		6	42	32	6	32			4.5x7.5x4.1	510	784
LMFP13UU	LMKP13UU	4	13	0	23	0	32	-300	6	43	34	6	33	4.5x7.5x4.1	12	510	784	88
☆LMFP16UU	☆LMKP16UU	5	16		28		37		6	48	37	6	38			4.5x7.5x4.1	774	1180
☆LMFP20UU	☆LMKP20UU	5	20	0	32	0	42	-300	8	54	42	8	43	5.5x9x5.1	15	882	1370	180
☆LMFP25UU	☆LMKP25UU	6	25		40		59		8	62	50	8	51			5.5x9x5.1	980	1570
☆LMFP30UU	☆LMKP30UU	6	30	0	45	0	64	-300	10	74	58	10	60	6.6x11x6.1	20	1570	2740	470
LMFP35UU	LMKP35UU	6	35		52		70		10	82	64	10	67			6.6x11x6.1	1670	3140
☆LMFP40UU	☆LMKP40UU	6	40	0	60	0	80	-300	13	96	75	13	78	9x14x8.1	25	2160	4020	1060
LMFP50UU	LMKP50UU	6	50		80		100		13	116	92	13	98			9x14x8.1	3820	7940
LMFP60UU	LMKP60UU	6	60	0	90	0	110	-400	18	134	106	18	122	11x17x11.1	25	4700	10000	3000

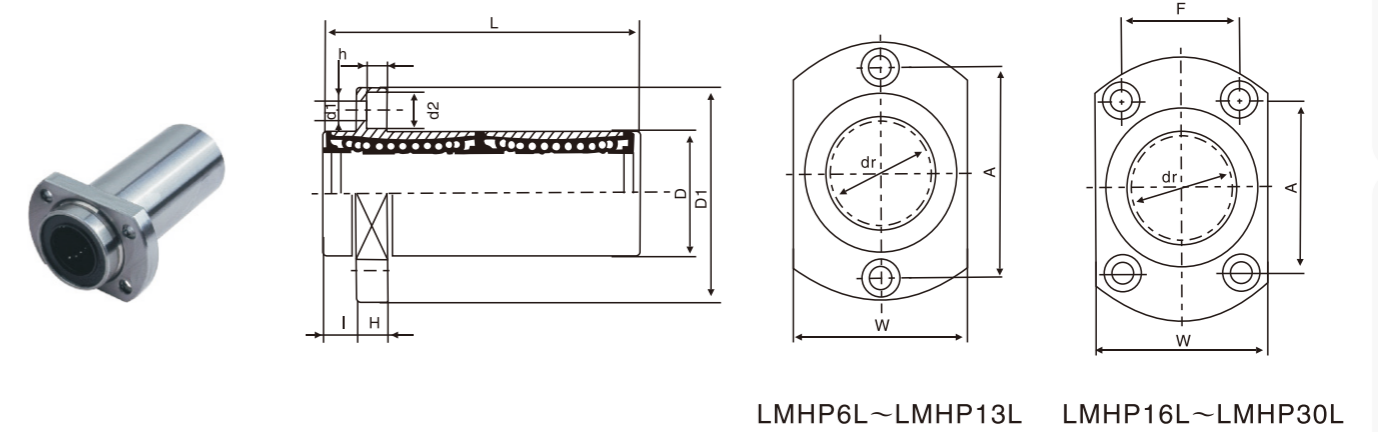
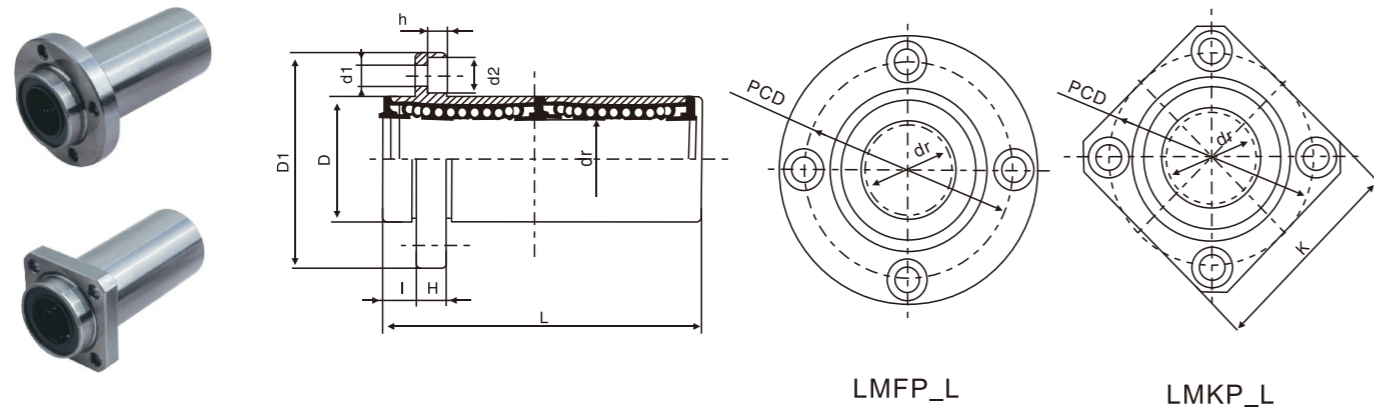
Note : ☆ means steel retainer is available.

Part No.		Main Dimensions and Tolerance															Eccentricity	Basic Load Rating		Weight (g)
Seal Type	Ball Circuit	dr (mm)	Tolerance (μm)	D (mm)	Tolerance (μm)	L (mm)	Tolerance (μm)	I (mm)	D1 (mm)	W (mm)	H (mm)	A (mm)	F (mm)	D1xd2xh (mm)	C	Co		N	N	
LMHP6UU	4	6	0	12	0	19	±300	5	28	18	5	20	-	3.5x6x3.1	12	206	265	21		
LMHP8UU	4	8		15		24		5	32	21	5	24	-			3.5x6x3.1	274	392	33	
☆LMHP10UU	4	10	0	19	0	29	-200	6	40	25	6	29	-	4.5x7.5x4.1	12	372	549	64		
☆LMHP12UU	4	12		21		30		6	42	27	6	32	-			4.5x7.5x4.1	510	784	68	
LMHP13UU	4	13	0	23	0	32	-300	6	43	29	6	33	-	4.5x7.5x4.1	12	510	784	81		
☆LMHP16UU	5	16		28		37		6	48	34	6	31	22			4.5x7.5x4.1	774	1180	112	
☆LMHP20UU	5	20	0	32	0	42	-300	8	54	38	8	36	24	5.5x9x5.1	15	882	1370	167		
☆LMHP25UU	6	25		40		59		8	62	46	8	40	32			5.5x9x5.1	980	1570	325	
☆LMHP30UU	6	30	0	45	0	64	-300	10	74	51	10	49	35	6.6x11x6.1	25	1570	2740	388		

Note : ☆ means steel retainer is available.



3-6 LMF/K/HP_L Series



Linear Guideways

Ball Screw

Support

Linear Bushing

Linear Guideways

Ball Screw

Support

Linear Bushing

Part No.		Main Dimensions and Tolerance												Eccentricity	Basic Load Rating		Weight (g)
Seal Type	Ball Circuit	dr (mm)	Tolerance (μm)	D (mm)	Tolerance (μm)	L (mm)	Tolerance (μm)	I (mm)	D1 (mm)	K (mm)	H (mm)	PCD (mm)	d1xd2xh (mm)		C N	Co N	
LMFP6LUU	LMKP6LUU	4	6	12	0	35	±300	5	28	22	5	20	3.5x6x3.1	323	529	31	
LMFP8LUU	LMKP8LUU	4	8	15	-13	45	±300	5	32	25	5	24	3.5x6x3.1	431	784	51	
☆LMFP10LUU	☆LMKP10LUU	4	10	19	0	55	-200	6	40	30	6	29	4.5x7.5x4.1	588	1100	98	
☆LMFP12LUU	☆LMKP12LUU	4	12	21	0	57	-200	6	42	32	6	32	4.5x7.5x4.1	813	1570	110	
LMFP13LUU	LMKP13LUU	4	13	23	-16	61	-200	6	43	34	6	33	4.5x7.5x4.1	813	1570	130	
☆LMFP16LUU	☆LMKP16LUU	5	16	28	0	70	-200	6	48	37	6	38	4.5x7.5x4.1	1230	2350	190	
☆LMFP20LUU	☆LMKP20LUU	5	20	32	0	80	-200	8	54	42	8	43	5.5x9x5.1	1400	2740	260	
☆LMFP25LUU	☆LMKP25LUU	6	25	40	0	112	-300	8	62	50	8	51	5.5x9x5.1	1560	3140	540	
☆LMFP30LUU	☆LMKP30LUU	6	30	45	0	123	-300	10	74	58	10	60	6.6x11x6.1	2490	5490	680	
LMFP35LUU	LMKP35LUU	6	35	52	0	135	-300	10	82	64	10	67	6.6x11x6.1	2650	6270	1020	
☆LMFP40LUU	☆LMKP40LUU	6	40	60	0	151	-300	13	96	75	13	78	9x14x8.1	3430	8040	1570	
LMFP50LUU	LMKP50LUU	6	50	80	0	192	-300	13	116	92	13	98	9x14x8.1	6080	15900	3600	
LMFP60LUU	LMKP60LUU	6	60	90	0	209	-400	18	134	106	18	112	11x17.5x10.8	7550	20000	4500	

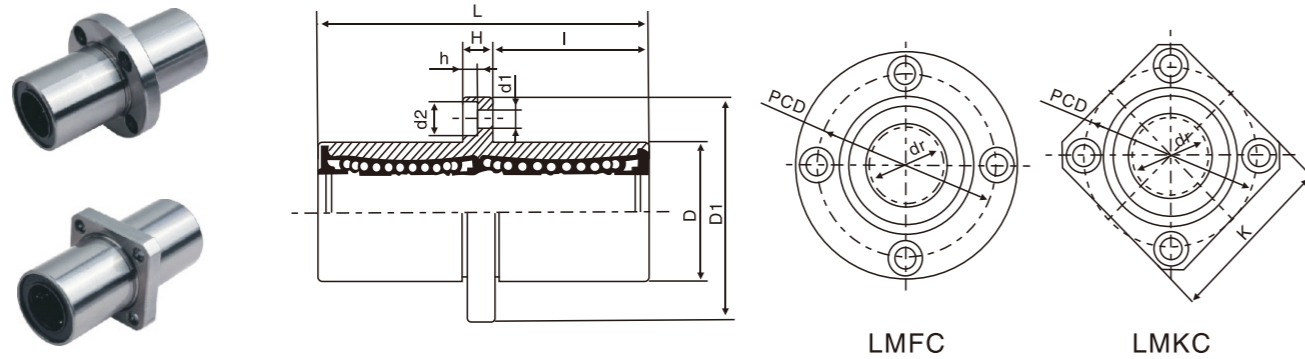
Note : ☆ means steel retainer is available.

Part No.		Main Dimensions and Tolerance														Eccentricity	Basic Load Rating		Weight (g)
Seal Type	Ball Circuit	dr (mm)	Tolerance (μm)	D (mm)	Tolerance (μm)	L (mm)	Tolerance (μm)	I (mm)	D1 (mm)	W (mm)	H (mm)	A (mm)	F (mm)	d1xd2xh (mm)	C N		Co N		
LMHP6LUU	4	6	12	0	35	±300	5	28	18	5	20	-	3.5x6x3.1	323	529	28			
LMHP8LUU	4	8	15	-13	45	±300	5	32	21	5	24	-	3.5x6x3.1	431	784	47			
☆LMHP10LUU	4	10	19	0	55	-200	6	40	25	6	29	-	4.5x7.5x4.1	588	1100	90			
☆LMHP12LUU	4	12	21	0	58	-200	6	42	27	6	32	-	4.5x7.5x4.1	813	1570	102			
☆LMHP13LUU	4	13	23	-16	61	-200	6	43	29	6	33	-	4.5x7.5x4.1	813	1570	123			
☆LMHP16LUU	5	16	28	0	70	-300	6	48	34	6	31	22	4.5x7.5x4.1	1230	2350	182			
☆LMHP20LUU	5	20	32	0	80	-300	8	54	38	8	36	24	5.5x9x5.1	1400	2740	247			
☆LMHP25LUU	6	25	40	0	112	-300	8	62	46	8	40	32	5.5x9x5.1	1560	3140	525			
☆LMHP30LUU	6	30	45	0	123	-300	10	74	51	10	49	35	6.6x11x6.1	2490	5490	645			

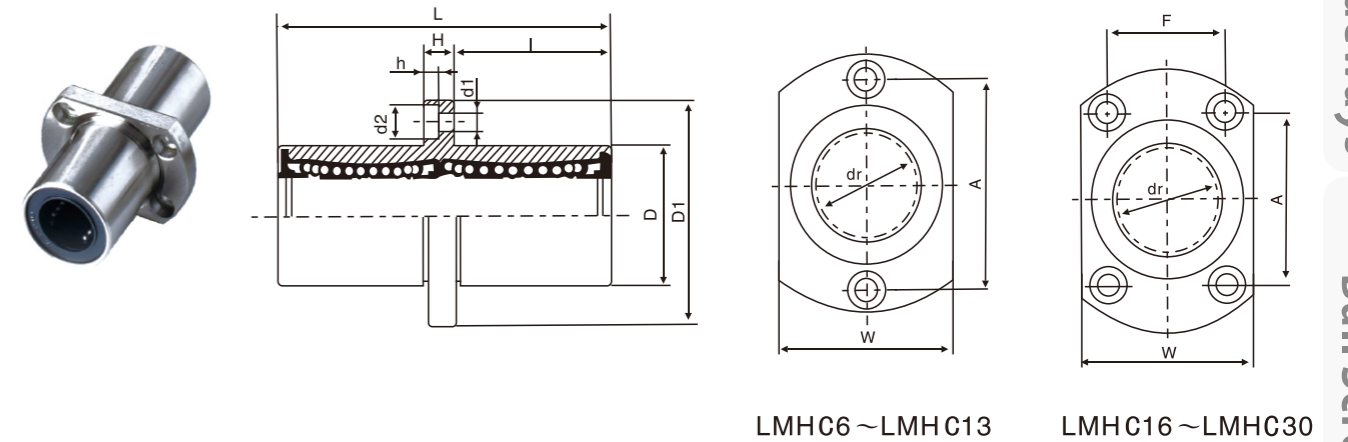
Note : ☆ means steel retainer is available.



3-7 LMF/KC Series



3-8 LMHC Series



Part No.		Main Dimensions and Tolerance											Eccentricity	Basic Load Rating		Weight (g)	
Seal Type	Ball Circuit	dr (mm)	Tolerance (μm)	D (mm)	Tolerance (μm)	L (mm)	Tolerance (μm)	I (mm)	D1 (mm)	K (mm)	H (mm)	PCD (mm)		d1 x d2 x h (mm)	C N		Co N
LMFC6UU	LMKC6UU	4	6	12	0	35	±300	15	28	22	5	20	3.5x6x3.1	323	529	31	
LMFC8UU	LMKC8UU	4	8	15	-13	45	±300	20	32	25	5	24	3.5x6x3.1	431	784	51	
☆LMFC10UU	☆LMKC10UU	4	10	19	0	55	-200	24.5	40	30	6	29	4.5x7.5x4.1	588	1100	98	
☆LMFC12UU	☆LMKC12UU	4	12	21	0	57	-200	25.5	42	32	6	32	4.5x7.5x4.1	813	1570	110	
LMFC13UU	LMKC13UU	4	13	23	-16	61	-200	27.5	43	34	6	33	4.5x7.5x4.1	813	1570	130	
LMFC16UU	LMKC16UU	5	16	28	-16	70	-200	32	48	37	6	38	4.5x7.5x4.1	1230	2350	190	
☆LMFC20UU	☆LMKC20UU	5	20	32	-16	80	-200	36	54	42	8	43	5.5x9x5.1	1400	2740	260	
☆LMFC25UU	☆LMKC25UU	6	25	40	0	112	-300	52	62	50	8	51	5.5x9x5.1	20	1560	3140	540
☆LMFC30UU	☆LMKC30UU	6	30	45	0	123	-300	56.5	74	58	10	60	6.6x11x6.1	2490	5490	680	
LMFC35UU	LMKC35UU	6	35	52	0	135	-300	62.5	82	64	10	67	6.6x11x6.1	2650	6270	1020	
☆LMFC40UU	☆LMKC40UU	6	40	60	0	151	-300	69	96	75	13	78	9x14x8.1	25	3430	8040	1570
LMFC50UU	LMKC50UU	6	50	80	0	192	-300	89.5	116	92	13	98	9x14x8.1	6080	15900	3600	
LMFC60UU	LMKC60UU	6	60	90	0	209	-400	95.5	134	106	18	112	11x17x11.1	30	7550	20000	4500

Note : ☆ means steel retainer is available.

Part No.		Main Dimensions and Tolerance														Eccentricity	Basic Load Rating		Weight (g)
Seal Type	Ball Circuit	dr (mm)	Tolerance (μm)	D (mm)	Tolerance (μm)	L ±0.3 (mm)	Tolerance (μm)	I (mm)	D1 (mm)	W (mm)	H (mm)	A (mm)	F (mm)	d1 x d2 x h (mm)	C N		Co N		
LMHC6UU	4	6	12	0	35	±300	15	28	18	5	20	-	3.5x6x3.1	323	529	28			
LMHC8UU	4	8	15	-13	45	±300	20	32	21	5	24	-	3.5x6x3.1	431	784	47			
LMHC10UU	4	10	19	0	55	-200	24.5	40	25	6	29	-	4.5x7.5x4.1	588	1100	90			
LMHC12UU	4	12	21	0	58	-200	25.5	42	27	6	32	-	4.5x7.5x4.1	813	1570	102			
LMHC13UU	4	13	23	-16	61	-200	27.5	43	29	6	33	-	4.5x7.5x4.1	813	1570	123			
LMHC16UU	5	16	28	-16	70	-200	32	48	34	6	31	22	4.5x7.5x4.1	1230	2350	182			
LMHC20UU	5	20	32	-16	80	-300	36	54	38	8	36	24	5.5x9x5.1	1400	2740	247			
LMHC25UU	6	25	40	0	112	-300	52	62	46	8	40	32	5.5x9x5.1	20	1560	3140	525		
LMHC30UU	6	30	45	0	123	-300	56.5	74	51	10	49	35	6.6x11x6.1	2490	5490	645			