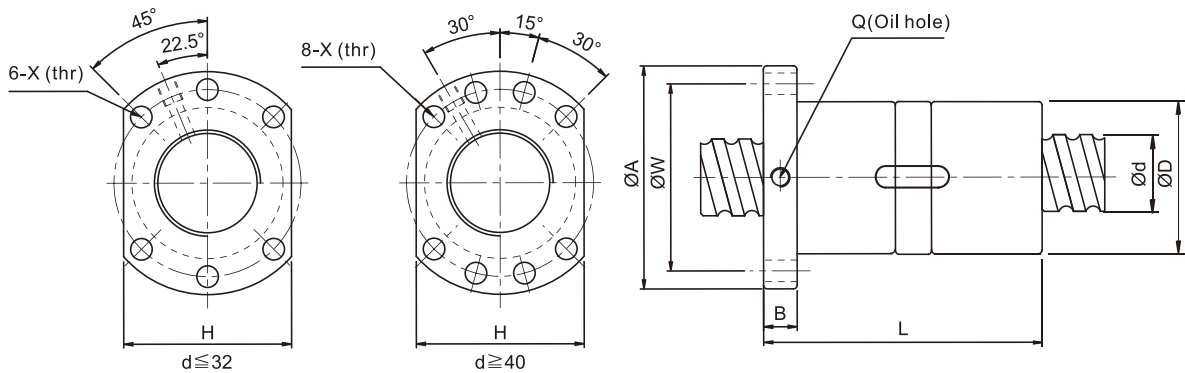




# Ball Screw - DFU Series

## 2-5 Size Table of DFU Ball Screws



I:Lead Da:Ball Diameter n:Number of Circuits K:Stiffness(Kgf/μm)

Ca:Basic Dynamic Rating Load(Kgf) Coa: Basic Static Rating Load(Kgf)

Unit:mm

Model no.	d	I	Da	Dimension									Load Rating Ca(kgf)	Load Rating Coa(kgf)
				D	A	B	L	W	H	X	Q	n		
DFU 1604-3	16	4	2.381	28	48	10	80	38	40	5	M6×1	1×3	488	940
☆ DFU 1605-4		5	3.175	28	48	10	100	38	40	5	M6×1	1×4	1123	2288
☆ DFU 1610-3		10	3.175	28	48	10	118	38	40	5	M6×1	1×3	716	1232
DFU 2004-3	20	4	2.381	36	58	10	80	47	44	6.6	M6×1	1×3	541	1187
☆ DFU 2005-4		5	3.175	36	58	10	101	47	44	6.6	M6×1	1×4	1268	2291
DFU 2504-3	25	4	2.381	40	62	10	80	51	48	6.6	M6×1	1×3	605	1534
☆ DFU 2505-4		5	3.175	40	62	10	101	51	48	6.6	M6×1	1×4	1420	3872
☆ DFU 2510-4		10	4.762	40	62	12	145	51	48	6.6	M6×1	1×4	2246	4157
☆ DFU 3205-4	32	5	3.175	50	80	12	102	65	62	9	M6×1	1×4	1604	5103
DFU 3210-4		10	6.35	50	80	12	162	65	62	9	M6×1	1×4	3924	9152
DFU 4005-4	40	5	3.175	63	93	14	105	78	70	9	M8×1	1×4	1786	6512
DFU 4010-4		10	6.35	63	93	14	165	78	70	9	M8×1	1×4	4417	11969
DFU 5010-4	50	10	6.35	75	110	16	171	93	85	11	M8×1	1×4	4947	15488
DFU 6310-4	63	10	6.35	90	125	18	182	108	95	11	M8×1	1×4	5586	20417
DFU 6320-4		20	9.525	95	135	20	290	115	100	13.5	M8×1	1×4	9397	28512
DFU 8010-4	80	10	6.35	105	145	20	182	125	110	13.5	M8×1	1×4	6219	26049
DFU 8020-4		20	9.525	125	165	25	295	145	130	13.5	M8×1	1×4	10665	38018

Note:with sign ☆ can produce left helix