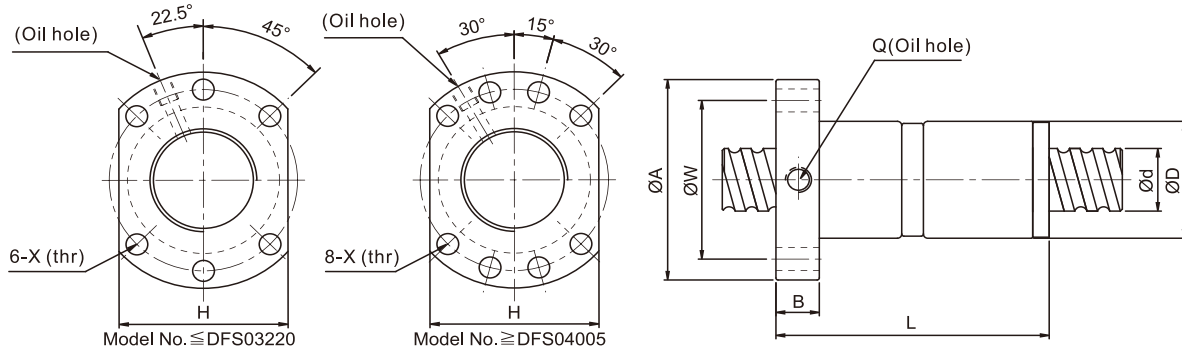




Ball Screw- DFS Series

2-3 Size Table of DFS Ball Screws



l:Lead Da:Ball Diameter n:Number of Circuits K:Stiffness(Kgf/μm)

Ca:Basic Dynamic Rating Load(Kgf) Coa: Basic Static Rating Load(Kgf)

Unit:mm

Model no.	d	l	Da	Dimension									Load Rating Ca(kgf)	Load Rating Coa(kgf)
				D	A	B	L	W	H	X	Q	n		
DFS1605-3.8	15	5	2.778	28	48	10	73	38	40	5.5	M6×1	3.8×1	1112	2507
DFS1610-2.8		10	2.778	28	48	10	97	38	40	5.5	M6×1	2.8×1	839	1821
DFS2005-3.8	20	5	3.175	36	58	10	75	47	44	6.6	M6×1	3.8×1	1484	3681
DFS2010-3.8		10	3.175	36	58	10	120	47	44	6.6	M6×1	3.8×1	1516	3833
DFS2505-3.8	25	5	3.175	40	62	10	75	51	48	6.6	M6×1	3.8×1	1650	4658
DFS2510-3.8		10	3.175	40	62	12	122	51	48	6.6	M6×1	3.8×1	1638	4633
DFS2520-2.8		10	3.969	50	62	12	140	51	48	6.6	M6×1	2.8×1	1206	2695
DFS3205-3.8	32	5	3.175	50	80	12	82	65	62	9	M6×1	3.8×1	1839	6026
DFS3210-3.8	31	10	3.969	50	80	13	122	65	62	9	M6×1	3.8×1	2460	7255
DFS3220-2.8		20	3.969	50	80	12	160	65	62	9	M6×1	2.8×1	1907	5482
DFS4005-3.8	40	5	3.175	63	63	15	85	78	70	9	M8×1	3.8×1	2018	7589
DFS4010-3.8	38	10	6.35	63	63	14	123	78	70	9	M8×1	3.8×1	5035	13943
DFS4020-2.8		20	6.35	63	63	14	162	78	70	9	M8×1	2.8×1	3959	10715
DFS5005-3.8	50	5	3.175	75	75	15	85	93	85	11	M8×1	3.8×1	2207	9542
DFS5010-3.8	48	10	6.35	75	75	18	138	93	85	11	M8×1	3.8×1	5638	17852
DFS5020-3.8		20	6.35	75	75	18	218	93	85	11	M8×1	3.8×1	5749	18485

Linear Guideways

Ball Screw

Support

Linear Bushing