

M500K /M400K Call Point



Model Available

M500K Analogue Callpoint

M400K Conventional Callpoint

Features

- Wide Operating temperature range
- Suitable for flush mounting or surface mounting
- Addressable callpoint used system sensor 200/500 protocol
- Interface conventional callpoints with analogue system
- Screw terminals for simple wiring
- A LED for local indication of activation
- 3-year warranty

Specifications

Electronical:

Operation Voltage: 15-30VDC

Stand-by Current: <200 μ A

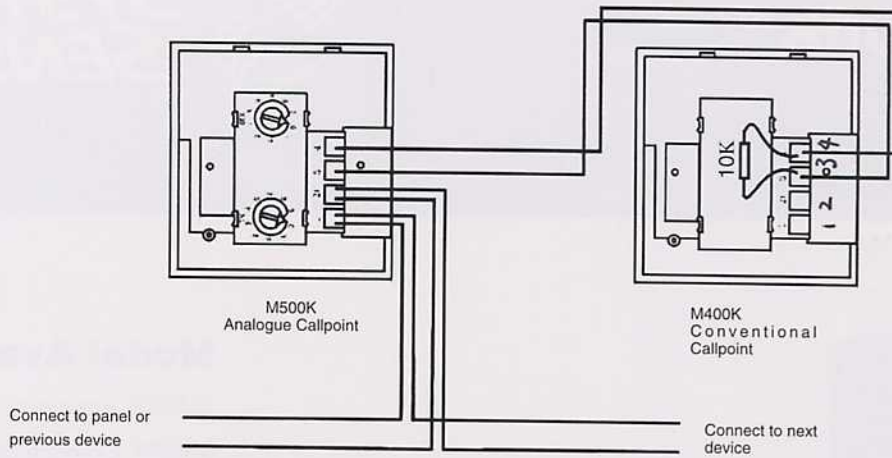
Alarm current: 5mA(LED current 30mA MAX)

General Description

The 500K Callpoint is designed to be used as a component of a compatible fire control system using System Sensor analogue devices. It is a dedicated addressable callpoint for installation on the two wire communication circuit providing both signal of alarm to the monitoring control panel and local LED indication of activation.

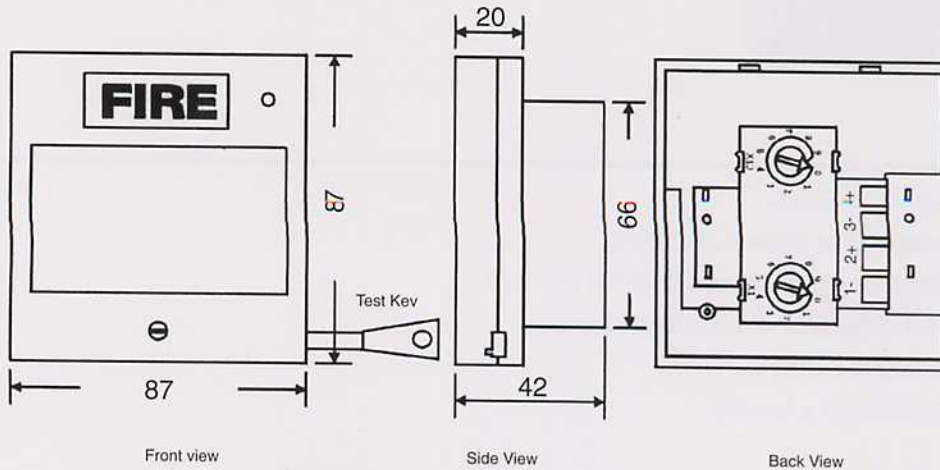
The M500K can connect up to 8 M400K conventional callpoints from terminal 3(-), 4(+), as shown Fig.1. Any of the interfaced conventional callpoint can send alarm signal to the panel as well as the M500K if it is activated. On the last conventional callpoint, a 10 kohm end of line resistor must be connected for wiring supervision.

Fig.1.



Mechanical

See Fig .2 . for dimensions



System Sensor Worldwide Manufacturing & Distribution

System Sensor Headquarters
 3825 Ohio Avenue
 St. Charles, IL 60174
 Ph:800-SENSOR2
 Fx:630/377-6495
 Documents on Demand:
 1-800-736-7672 x 3
 Web:www.systemsensor.com

System Sensor in China
 Ph: ++ 86.29.524.6253
 Fx: ++ 86.29.524.6259

System Sensor in Europe
 Ph: ++ 44.1403.276500
 Fx: ++ 44.1403.276501

System Sensor Canada
 Ph: ++1.905.812.0767
 Fx: ++1.905.812.0771

System Sensor in Singapore
 Ph: ++ 65.273.2230
 Fx: ++ 65.273.2610

System Sensor - Far East
 Ph: ++ 852.2191.9003
 Fx: ++ 852.2736.6580

System Sensor- Australia
 Ph: ++ 613.54.281.142
 Fx: ++ 613.54.281.172