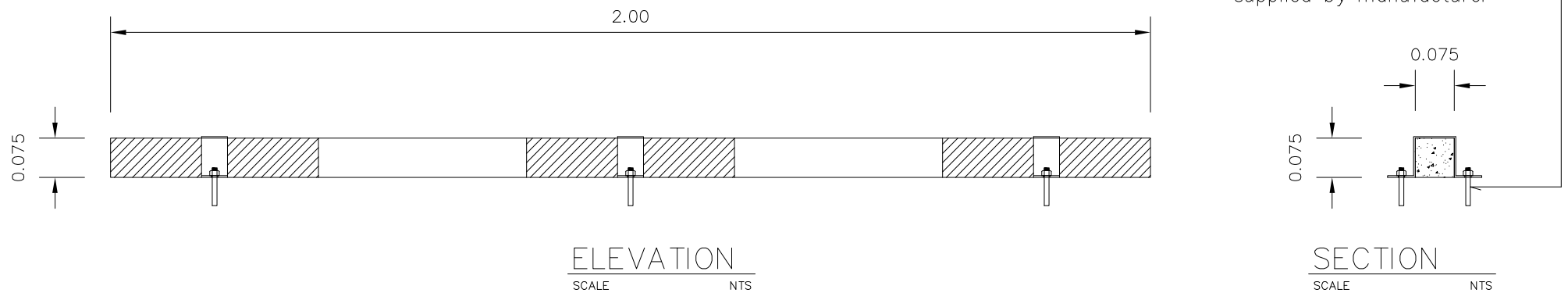
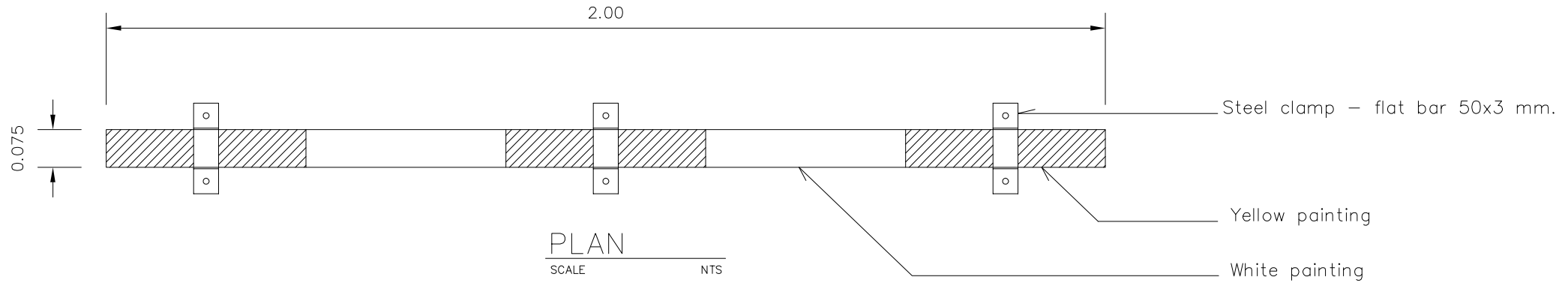


Concrete Wheel Stopper. size W75 H75 L2000 mm.



MAX way solution.

845 Thoet–Thai Rd. Bangwa,
Pasricharoen, BKK 10160
<http://www.maxwaysolution.com>

drawing by Ananda Averyham

