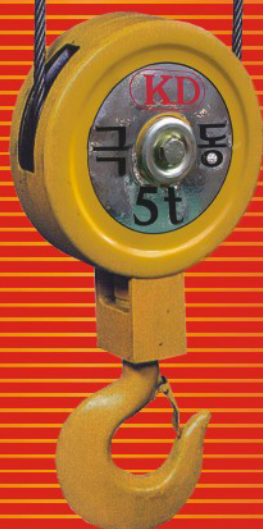


극동호이스트
제한하중
5000 kg



<http://www.kdhoist.com>

WIRE HOIST



KD 극동호이스트(주)
KUKDONG HOIST CO.,LTD.



2 PAGE · 기본사양/형식 및 기종선정방법 Specifications / Model Classification of Hoist

3 PAGE · 호이스트 단면구조도/호이스트 사용예 Cross-SectionView / Examples Using Hoist

Ordinary Hoist

4 PAGE · Ordinary Type Suspension Hoist

6 PAGE · Ordinary Type Hoist With Motor - Driven Trolley

8 PAGE · Double - Rail Type Hoist With Motor - Driven Trolley

10 PAGE · Low - Head Type Hoist With Motor - Driven Trolley

11 PAGE · Special Type Hoist With Motor - Driven Trolley

12 PAGE · Main & Aux Type Hoist With Motor - Driven Trolley

Creep Hoist

14 PAGE · Creep Hoist의 특징

15 PAGE · Ordinary Type Creep Hoist With Motor - Driven Trolley

17 PAGE · Low - Head Type Creep Hoist With Motor - Driven Trolley

18 PAGE · Double - Rail Type Creep Hoist With Motor - Driven Trolley

19 PAGE · Main & Aux Type Creep Hoist With Motor - Driven Trolley

Large-sized Hoist

21 PAGE · Large - Sized Hoist의 특징

22 PAGE · Ordinary Type Suspension Hoist

23 PAGE · Double - Rail Type Hoist With Motor - Driven Trolley

24 PAGE · Double - Rail Type Creep Hoist With Motor - Driven Trolley

Other Product

25 PAGE · Geared Motor

26 PAGE · Reference Data



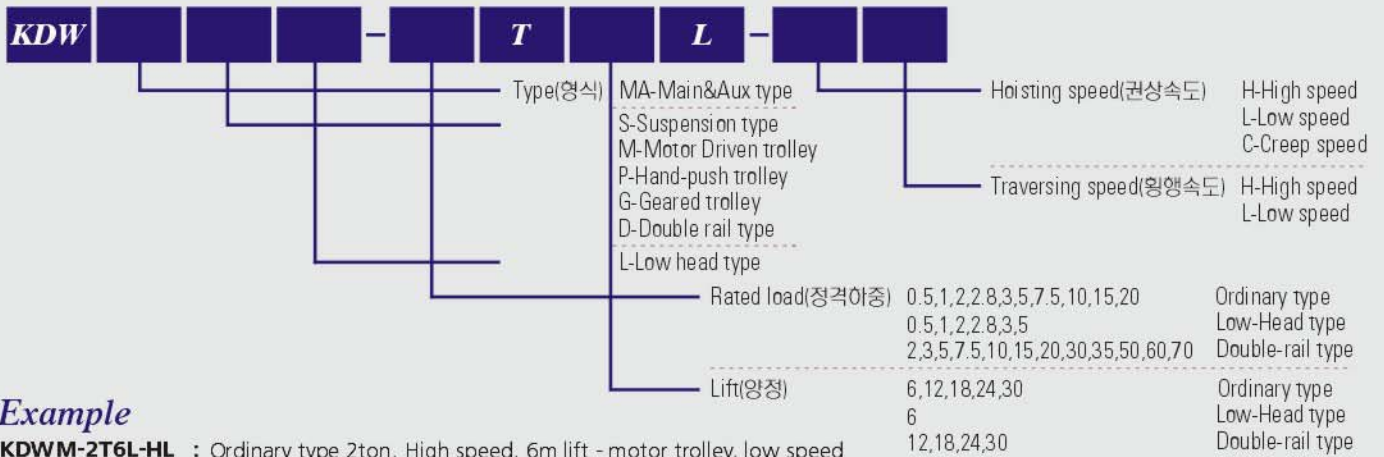
기본사양 / 형식 및 기종선정방법

SPECIFICATIONS / MODEL CLASSIFICATION OF HOIST

WIDE
HOIST

Type & Model Selection

Explanation of KUKDONG Hoist



Example

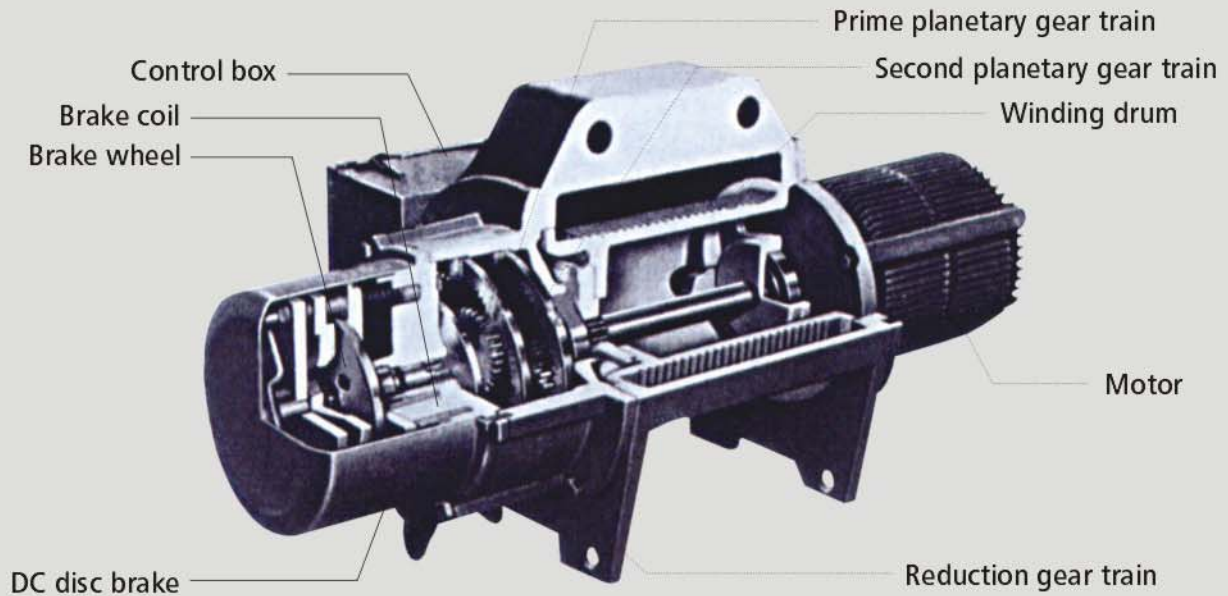
- KDWM-2T6L-HL** : Ordinary type 2ton, High speed, 6m lift - motor trolley, low speed
- KDWML-2T6L-HL** : Low-head type 2ton, High speed, 6m lift - motor trolley, low speed
- KDWD-2T5L-HL** : Double-rail type 2ton, High speed, 6m lift - motor trolley, low speed

Optimum Model from Various Hoist type

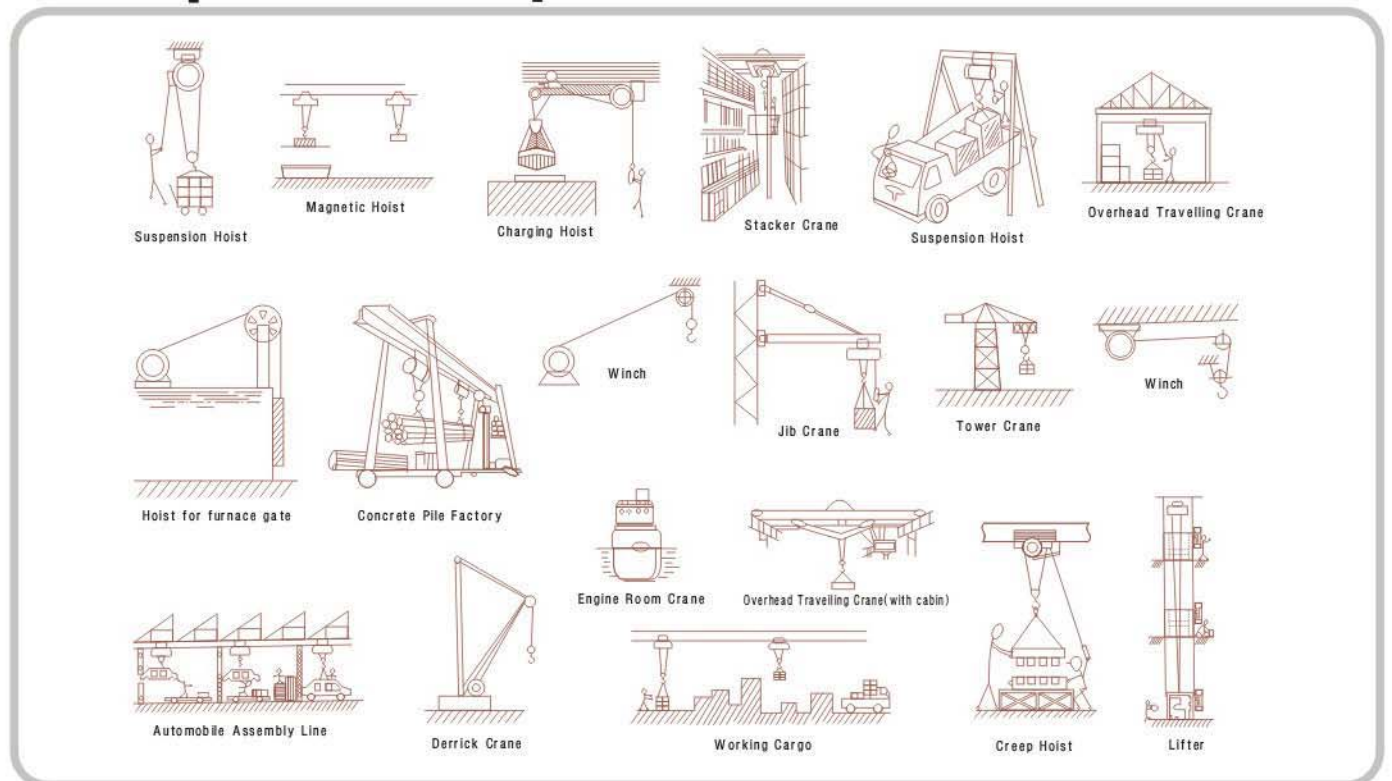
TYPE	LIFT	0.5ton	1ton	2ton	2.8ton	3ton	5ton	7.5ton	10ton	15ton	20ton	30ton
ORDINARY	6M	○	○	○	○	○	○					
	12M	○	○	○	○	○	○	○	○	○	○	○
	18M	○	○	○	○	○	○	○	○	○	○	○
	24M	○	○	○	○	○	○	○	○	○	○	○
	30M	○	○	○	○	○	○	○	○			
LOW HEAD	6M	○	○	○	○	○	○	○				
	9M	○	○	○	○	○	○	○				
DOUBLE	12M			○	○	○	○	○	○	○	○	○
	18M			○	○	○	○	○	○	○	○	○
	24M			○	○	○	○	○	○	○	○	○
	30M			○	○	○	○	○	○			
LOW DOUBLE	6M			○	○	○	○	○	○			

CROSS-SECTION VIEW

WIRE HOIST

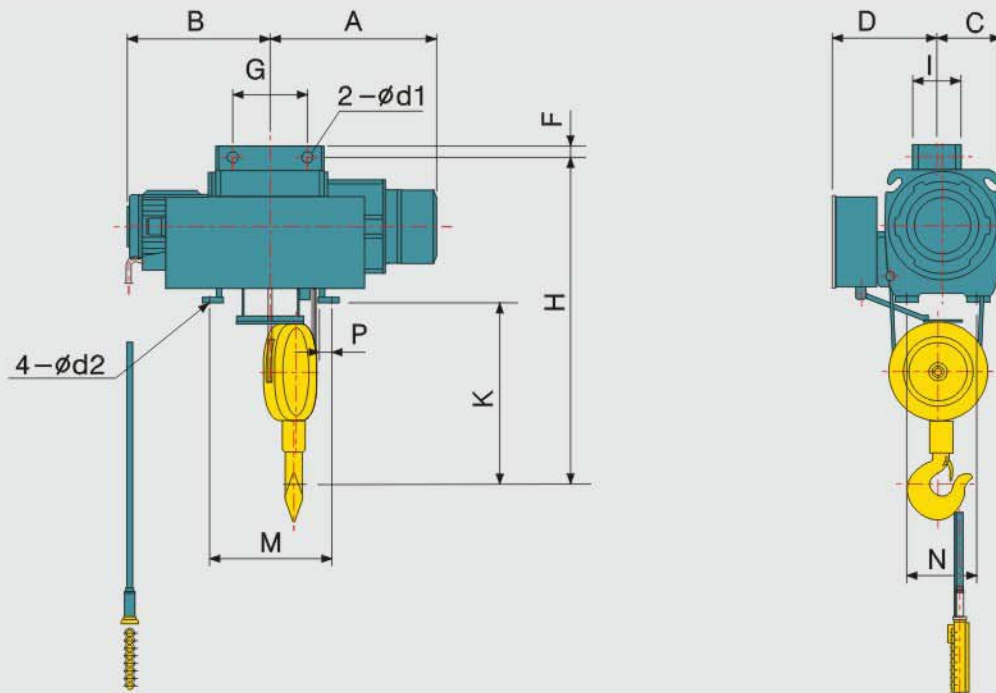


EXAMPLES USING HOIST



ORDINARY Type SUSPENSION Hoist

WIRE HOIST



Ordinary Hoist

Tables of Dimensions

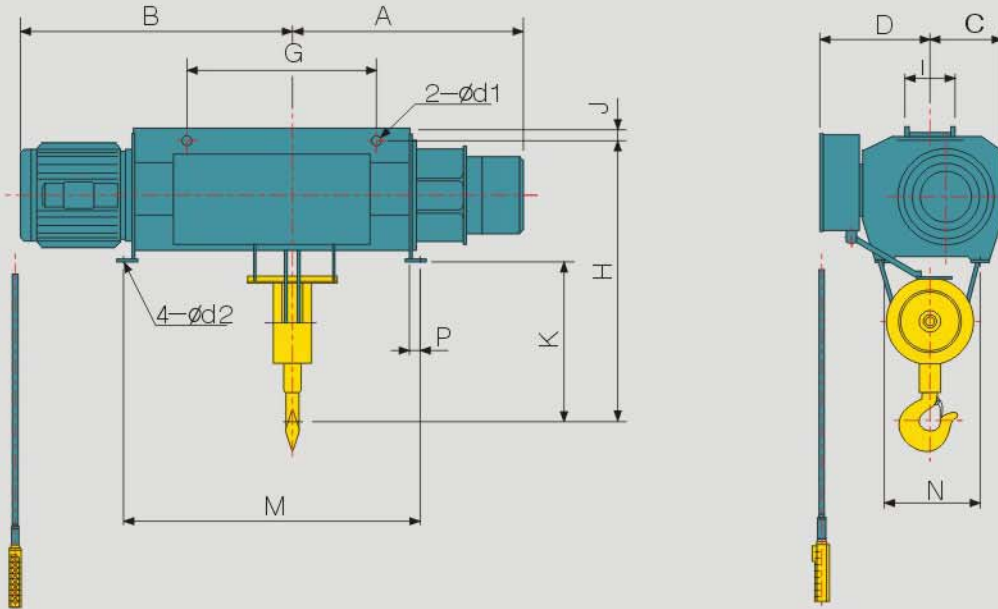
Capacity (ton)		0.5	1	2	2.8	3	5	
Model		KDWS 0.5	KDWS 1	KDWS 2	KDWS 2.8	KDWS 3	KDWS 5	
Hoisting Lift (m)		6(12)	6(12)	6(12)	6(12)	6(12)	6(12)	
Hoisting	Speed(m/min)	High speed 50/60(Hz)	10/12	10/12	8.4/10	7.5/9	7.5/9	4.7/5.6
		Low speed 50/60(Hz)	5/6	5/6	4.2/5	3.7/4.5	3.7/4.5	3.5/4.2
	Motor(KwXP)	High speed	1.2 X 4	2.4 X 4	3.7 X 4	4.8 X 4	5.5 X 4	5.5 X 6
		Low speed	0.6 X 8	1.2 X 8	1.8 X 8	2.4 X 8	2.8 X 8	4.2 X 8
Brake		D.C Magnetic Disc Brake						
Wire rope	Construction Dia.(mm)	6 X 19	6 X 19	6 X 37	6 X 37	6 X 37	6 X 37	
	X no. of ropes	6φ X 2	8φ X 2	10φ X 2	12.5φ X 2	12.5φ X 2	16φ X 2	
Dimensions (approx.)(mm)	H	640	750	920	1060	1060	1245	
	A	375(460)	400(425)	465(485)	520(530)	520(530)	615(625)	
	B	355(450)	380(560)	430(590)	445(635)	445(635)	515(705)	
	C	150	170	205	210	210	250	
	D	255	255	290	350	350	415	
	G	160	160	200	200	200	280	
	F	28	28	34	34	34	45	
	I	112	112	150	150	150	180	
	K	295	360	470	560	560	690	
	M	340(530)	350(550)	350(550)	364(564)	364(564)	450(650)	
	N	160	160	200	200	200	250	
	P	48	48	47	45	45	55	
	d2	28	26	33	33	33	47	
d2	17	17	17	17	17	22		
Approx.Weight(kg)		100(120)	146(170)	205(240)	300(345)	300(345)	480(525)	

[정밀수치를 요하는 현장은 당사에 사전 확인바랍니다. If minute dimension is required on the side. It should be informed to us in advance.

ORDINARY Type SUSPENSION HOIST

WIRE HOIST

Ordinary Hoist



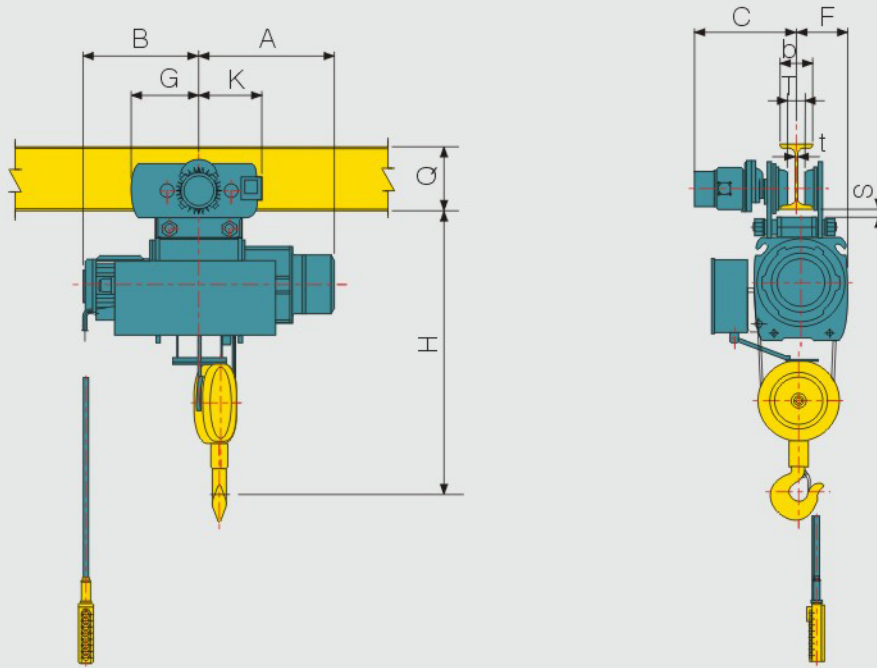
Tables of Dimensions

Capacity (ton)		7.5	10	15	20	
Model		KDWS 7.5	KDWS 10	KDWS 15	KDWS 20	
Hoisting Lift (m)		12	12	12	12	
Hoisting	Speed(m/min)	High speed 50/60(Hz)	3.1/3.8	3.7/4.5	3.7/4.5	3.5/4.2
		Low speed 50/60(Hz)	2.3/2.8	2.5/3	2.5/3	2.3/2.8
	Motor(KwXP)	High speed	5.5 X 6	9 X 8	13 X 8	17 X 8
		Low speed	4.2 X 8	6 X 12	8.5 X 12	11.5 X 12
Brake		D.C Magnetic Disc Brake				
Wire rope	Construction Dia.(mm)	6 X 37	6 X 37	6 X 37	6 X 37	
	X no. of ropes	14φX 4	16φX 4	20φX 4	22.4φX 4	
Approx. Dimensions (mm)	H	1270	1330	1660	1900	
	A	935	975	1075	1165	
	B	835	955	1005	1195	
	C	295	320	365	400	
	D	465	530	615	640	
	G	800	800	800	850	
	I	232	232	272	272	
	J	50	50	65	65	
	K	720	740	965	1150	
	M	1100	1100	1150	1250	
	N	400	400	500	500	
	P	62	62	70	70	
	d1	47	47	63	63	
	d2	25	25	25	25	
Approx.Weight(kg)		700	1000	1500	1900	

[정밀수치를 요하는 현장은 당사에 사전 확인바랍니다. If minute dimension is required on the side. It should be informed to us in advance.

ORDINARY Type Hoist With MOTOR-DRIVEN Trolley

WIRE
HOIST



Ordinary Hoist

Tables of Dimensions

Capacity (ton)		0.5	1	2	2.8	3	5	
Model		KDWM 0.5	KDWM 1	KDWM 2	KDWM 2.8	KDWM 3	KDWM 5	
Hoisting Lift (m)		6(12)	6(12)	6(12)	6(12)	6(12)	6(12)	
Hositing	Speed(m/min)	High speed 50/60(Hz)	10/12	10/12	8.4/10	7.5/9	7.5/9	4.7/5.6
		Low speed 50/60(Hz)	5/6	5/6	4.2/5	3.7/4.5	3.7/4.5	3.5/4.2
	Motor(KwXP)	High speed	1.2 X 4	2.4 X 4	3.7 X 4	4.8 X 4	5.5 X 4	5.5 X 6
		Low speed	0.6 X 8	1.2 X 8	1.8 X 8	2.4 X 8	2.8 X 8	4.2 X 8
Brake		D.C Magnetic Disc Brake						
Traversing	Traversing Speed (m/min)	High speed 50/60(Hz)	20/24	20/24	20/24	20/24	20/24	20/24
		Low speed 50/60(Hz)	13/16	13/16	13/16	13/16	13/16	13/16
	Traversing Motor (KwXP)	High speed	0.4 X 4	0.4 X 4	0.75 X 4	0.75 X 4	0.75 X 4	0.75 X 4
		Low speed	0.2 X 6	0.2 X 6	0.5 X 6	0.5 X 6	0.5 X 6	0.5 X 6
Wire rope DIA(mm) No. Of Falls		6φ X 2	8φ X 2	10φ X 2	12.5φ X 2	12.5φ X 2	16φ X 2	
Approx. Dimensions(mm)	H	705	815	980	1115	1115	1325	
	A	375(460)	400(425)	465(485)	520(530)	520(530)	615(625)	
	B	355(450)	380(560)	430(590)	445(635)	445(635)	515(705)	
	F	140	165	195	200	200	240	
	G	255	255	260	260	260	275	
	K	200	200	225	225	225	275	
Dimensions with respect to I-beam	a X b X t	C S T	C S T	C S T	C S T	C S T	C S T	
	I-200 X 100 X 7	400 39 60	400 39 60	454 35 45	454 35 45	454 35 45	- - -	
	I-250 X 125 X 7.5	411 37 85	411 37 85	467 34 76	467 34 76	467 34 76	485 46 60	
	I-300 X 150 X 10	424 32 110	424 32 110	479 29 95	479 29 95	479 29 95	490 40 85	
Min curve of radius(m)		1.5	1.5	1.8	1.8	1.8	2.3	
Approx.Weight(kg)		147(167)	190(218)	278(314)	374(418)	374(418)	577(642)	

*Note : 1) Figures in parentheses show hoists of 12m Lift.

2) Dimensions of I-beam in sections are standard ones. Other I-beam also can be used by changing spacers.

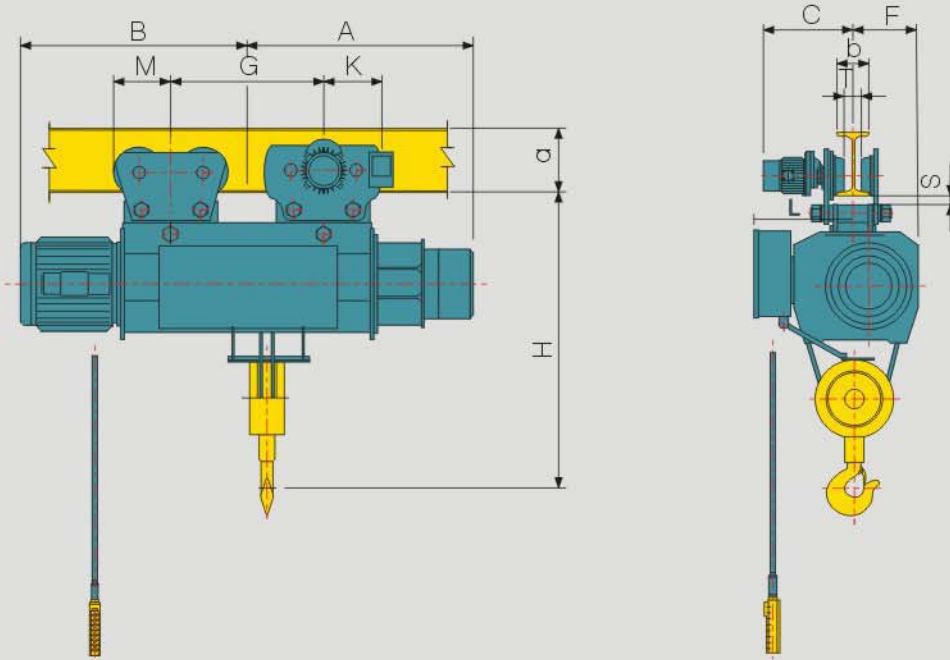
[정밀수치를 요하는 현장은 당사에서 사전 확인바랍니다. If minute dimension is required on the side. It should be informed to us in advance.

ORDINARY Type

HOIST WITH MOTOR-DRIVEN TROLLEY

WIRE
HOIST

Ordinary Hoist



Tables of Dimensions

Capacity (ton)		7.5			10			15			20				
Model		KDWM 7.5			KDWM 10			KDWM 15			KDWM 20				
Hoisting Lift (m)		12			12			12			12				
Hoisting	Speed(m/min)	High speed 50/60(Hz)		3.1/3.8			3.7/4.5			3.7/4.5			3.5/4.2		
		Low speed 50/60(Hz)		2.3/2.8			2.5/3			2.5/3			2.3/2.8		
	Motor(KwXP)	High speed		5.5 X 6			9 X 8			13 X 8			17 X 8		
		Low speed		4.2 X 8			6 X 12			8.5 X 12			11.5 X 12		
Brake		D.C Magnetic Disc Brake													
Traversing	Traversing Speed (m/min)	High speed 50/60(Hz)		12.5/15			12.5/15			12.5/15			12.5/15		
		Low speed 50/60(Hz)		8.3/10			8.3/10			8.3/10			8.3/10		
	Traversing Motor (KwXP)	High speed		0.75 X 4			0.75 X 4			1.5 X 4			1.5 X 4		
		Low speed		0.5 X 6			0.5 X 6			1.0 X 6			1.0 X 6		
Wire rope DIA(mm) No. Of Falls		14φ X 4			16φ X 4			20φ X 4			22.4φ X 4				
Approx. Dimensions(mm)	H	1460			1520			1875			2115				
	A	935			975			1075			1165				
	B	835			955			1005			1195				
	F	295			320			365			400				
	L	465			530			615			640				
	G	800			800			800			850				
	M	250			250			270			270				
Dimensions with respect to I-beam	a X b X t	C	S	T	C	S	T	C	S	T	C	S	T		
	I-300 X 150 X 10	480	35	68	480	35	68								
	I-450 X 175 X 13	495	32	93	495	32	93	580	25	77	580	25	77		
	I-600 X 190 X 13	510	25	118	510	25	118	590	23	92	590	23	92		
Min curve of radius(m)		For straight rail only													
Approx.Weight(kg)		910			1210			2030			2430				

*Note : 1) If curved rail is required, this must be indicated in advance.

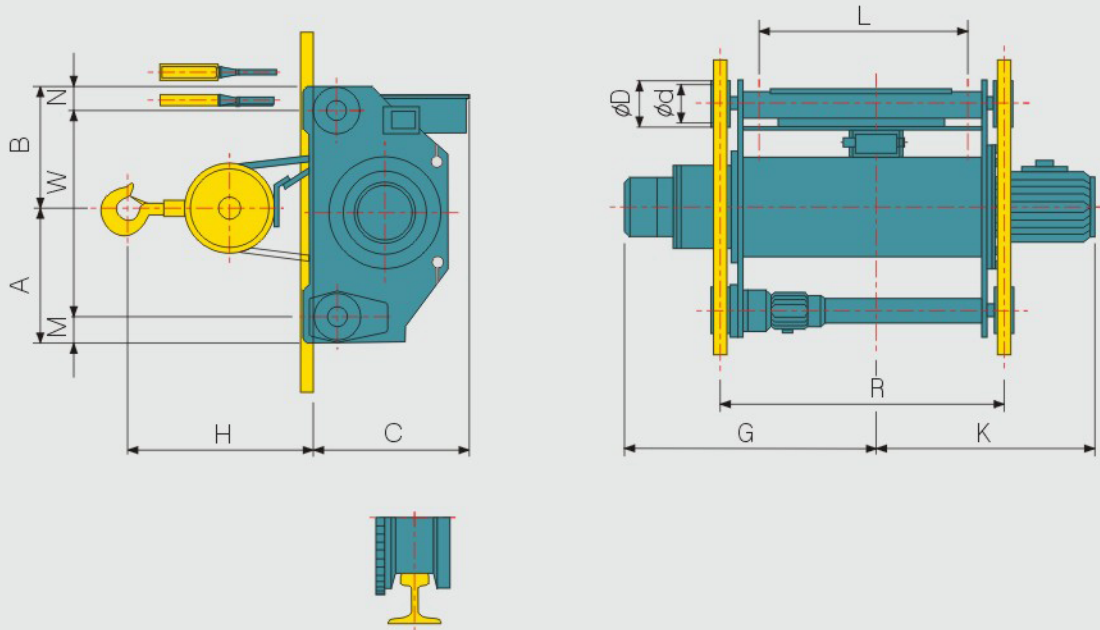
2) Dimensions of I-beam in green sections are standard ones. Other I-beam also can be used by changing spacers.

[정밀수치를 요하는 현장은 당사에 사전 확인바랍니다. If minute dimension is required on the side. It should be informed to us in advance.

Double-Rail Type Hoist With MOTOR-DRIVEN TROLLEY

WIRE
HOIST

Ordinary Hoist



Tables of Dimensions

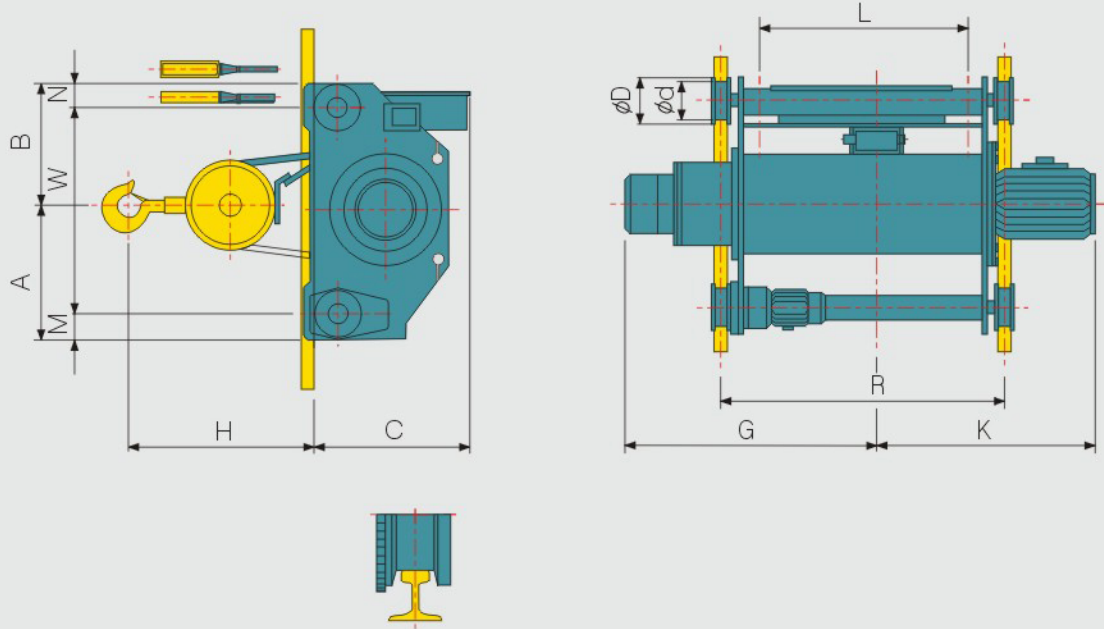
Capacity (ton)		2	2.8	3	5	
Model		KDWD 2	KDWD 2.8	KDWD 3	KDWD 5	
Hoisting Lift (m)		12	12	12	12	
Hositing	Speed(m/min)	High speed 50/60(Hz)	8.4/10	7.5/9	7.5/9	4.7/5.6
		Low speed 50/60(Hz)	4.2/5	3.7/4.5	3.7/4.5	3.5/4.2
	Motor(KwXP)	High speed	3.7 X 4	4.8 X 4	5.5 X 4	5.5 X 6
		Low speed	1.8 X 8	2.4 X 8	2.8 X 8	4.2 X 8
Brake		D.C Magnetic Disc Brake				
Traversing	Traversing Speed (m/min)	High speed 50/60(Hz)	20/24	20/24	20/24	20/24
		Low speed 50/60(Hz)	13/16	13/16	13/16	13/16
	Traversing Motor (KwXP)	High speed	0.75 X 4	0.75 X 4	0.75 X 4	0.75 X 4
		Low speed	0.5 X 6	0.5 X 6	0.5 X 6	0.5 X 6
Wire rope DIA(mm) No. Of Falls		8φ X 4	9φ X 4	9φ X 4	12.5φ X 4	
Approx. Dimensions(mm)	H	415	420	420	510	
	R	950	950	950	1150	
	A	465	465	465	510	
	B	390	390	390	470	
	C	530	550	550	590	
	G	740	785	785	945	
	K	705	705	705	845	
	W	650	650	650	760	
	L	680	690	690	890	
	M	120	120	120	120	
	N	95	95	95	105	
	φd	140	140	140	165	
φD	170	170	170	195		
RAIL (kg/m)		15	15	15	15	
Approx.Weight(kg)		450	550	550	850	

[정밀수치를 요하는 현장은 당사에 사전 확인바랍니다. If minute dimension is required on the side. It should be informed to us in advance.

Double-Rail Type Hoist With Motor-Driven Trolley

WIRE
HOIST

Ordinary Hoist



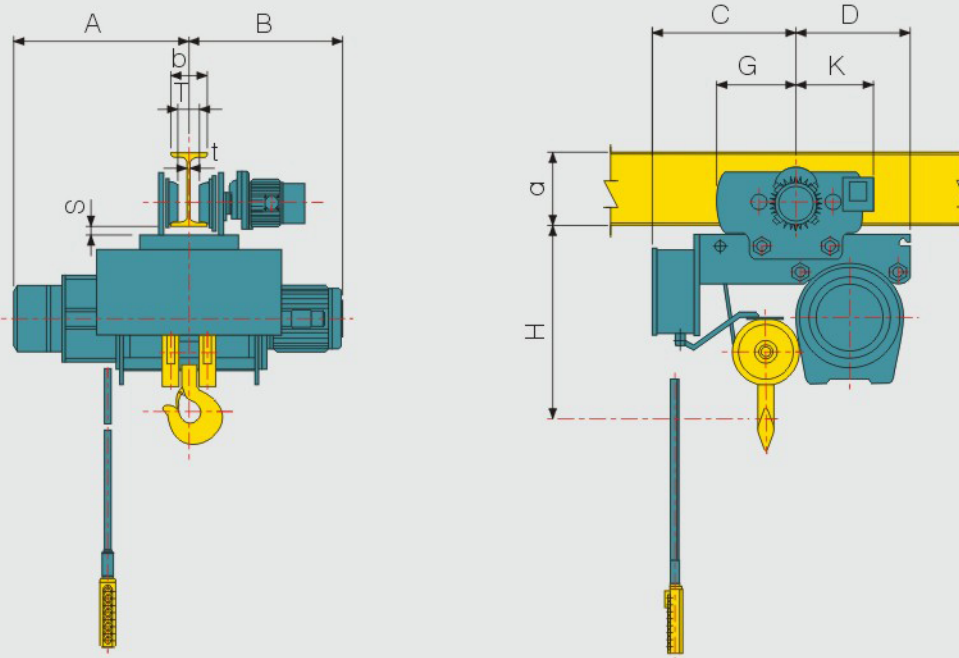
Tables of Dimensions

Capacity (ton)		7.5	10	15	20	30	
Model		KDWD 7.5	KDWD 10	KDWD 15	KDWD 20	KFD 30	
Hoisting Lift (m)		12	12	12	12	12	
Hoisting	Speed(m/min)	High speed 50/60(Hz)	3.1/3.8	3.7/4.5	3.7/4.5	3.5/4.2	2.3/2.8
		Low speed 50/60(Hz)	2.3/2.8	2.5/3	2.5/3	2.3/2.8	1.5/1.8
	Motor(KwXP)	High speed	5.5 X 6	9 X 8	13 X 8	17 X 8	17 X 8
		Low speed	4.2 X 8	6 X 12	8.5 X 12	11.5 X 12	11.5 X 12
Brake		D.C Magnetic Disc Brake					
Traversing	Traversing Speed (m/min)	High speed 50/60(Hz)	12.5/15	12.5/15	12.5/15	12.5/15	
		Low speed 50/60(Hz)	8.3/10	8.3/10	8.3/10	8.3/10	
	Traversing Motor (KwXP)	High speed	0.75 X 4	0.75 X 4	1.5 X 4	1.5 X 4	1.5 X 4 (2 Units)
	Low speed	0.75 X 6	0.75 X 6	1.0 X 6	1.0 X 6	1.0 X 6 (2 Units)	
Wire rope DIA(mm) No. Of Falls		14φX 4	16φX 4	20φX 4	22.4φX 4	22.4φX 4	
Approx. Dimensions(mm)	H	730	775	995	1175	1790	
	R	1150	1150	1200	1300	1800	
	A	525	565	625	670	940	
	B	480	510	555	615	940	
	C	550	670	850	870	935	
	G	935	975	1075	1165	1425	
	K	835	955	1005	1195	1455	
	W	800	865	920	1000	1540	
	L	850	850	870	935	1420	
	M	110	110	130	140	180	
	N	95	100	130	140	160	
Ød	165	165	180	220	250		
ØD	195	195	210	250	280		
RAIL (kg/m)		15	15	22	22	30	
Approx.Weight(kg)		900	1200	1850	2300	3450	

[정밀수치를 요하는 현장은 당사에 사전 확인바랍니다. If minute dimension is required on the side. It should be informed to us in advance.

Low-Head Type Hoist With Motor-Driven Trolley

WIRE
HOIST



Ordinary Hoist

Tables of Dimensions

Capacity (ton)		0.5		1		2		2.8		3		5	
Model		KDWML 0.5		KDWML 1		KDWML 2		KDWML 2.8		KDWML 3		KDWML 5	
Hoisting Lift (m)		6(9)		6(9)		6(9)		6(9)		6(9)		6(9)	
Hoisting	Speed(m/min)	High speed 50/60(Hz)		10/12		10/12		8.4/10		7.5/9		7.5/9	
		Low speed 50/60(Hz)		5/6		5/6		4.2/5		3.7/4.5		3.7/4.5	
	Motor(KwXP)	High speed		1.2 X 4		2.4 X 4		3.7 X 4		4.8 X 4		5.5 X 4	
		Low speed		0.6 X 8		1.2 X 8		1.8 X 8		2.4 X 8		2.8 X 8	
Brake		D.C Magnetic Disc Brake											
Traversing	Traversing Speed (m/min)	High speed 50/60(Hz)		20/24		20/24		20/24		20/24		20/24	
		Low speed 50/60(Hz)		13/16		13/16		13/16		13/16		13/16	
	Traversing Motor (KwXP)	High speed		0.4 X 4		0.4 X 4		0.75 X 4		0.75 X 4		0.75 X 4	
		Low speed		0.2 X 6		0.2 X 6		0.5 X 6		0.5 X 6		0.5 X 6	
Wire rope DIA(mm) No. Of Falls		4φ X 4		6φ X 4		8φ X 4		9φ X 4		9φ X 4		11.2φ X 4	
Approx. Dimensions(mm)	H	550		550		585		620		620		800	
	A	465(545)		505(580)		590(660)		620(690)		620(690)		715(790)	
	B	450(530)		480(550)		555(625)		545(615)		545(615)		6150(695)	
	C	440		460		450		510		510		585	
	D	245		265		385		395		395		465	
	G	255		255		260		260		260		275	
	K	200		200		225		225		225		275	
Dimensions with respect to I-beam	a X b X t	S	T	S	T	S	T	S	T	S	T	S	T
	I-200 X 100 X 7	38	46	38	46	33	45	34	45	34	45		
	I-250 X 125 X 7.5	30	71	30	71	22	71	23	71	23	71	26	86
	I-300 X 150 X 10	28	96	28	96	22	96	23	96	23	96	23	111
Min curve of radius(m)		1.5		1.5		1.8		1.8		1.8		2.3	
Approx.Weight(kg)		175(195)		200(248)		350(390)		440(500)		440(500)		730(810)	

*Note : 1) If curved rail requires, this must be indicated in advance.

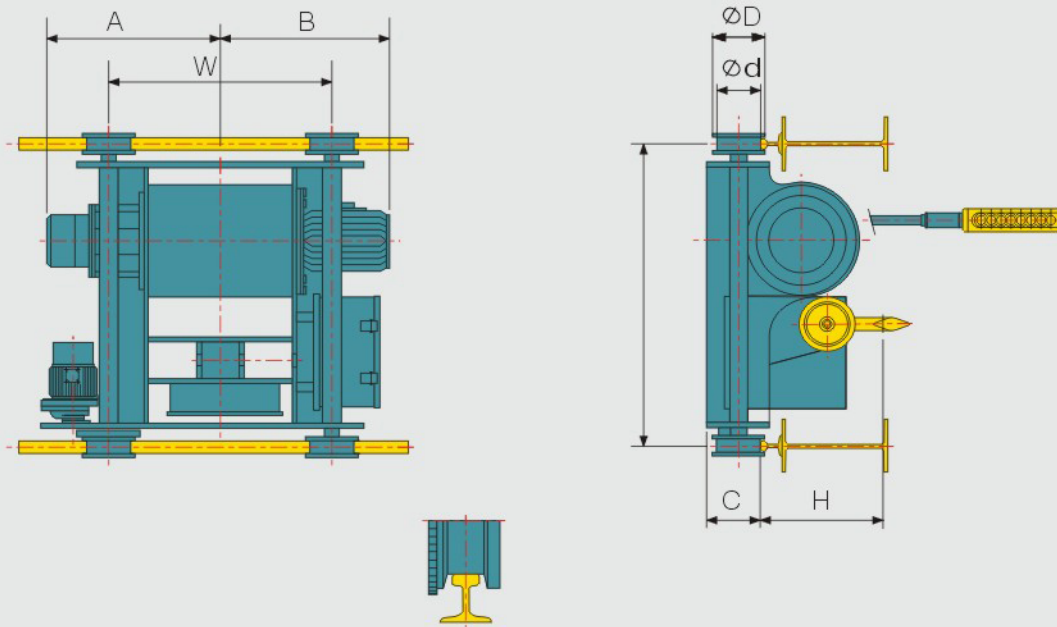
2) Dimensions of I-beam in sections are standard ones. Other I-beam also can be used by changing spacers.

[정밀수치를 요하는 현장은 당사에 사전 확인바랍니다. If minute dimension is required on the side. It should be informed to us in advance.

Double Low-Head Type Hoist With Motor-Driven Trolley

WIRE
HOIST

Ordinary Hoist



Tables of Dimensions

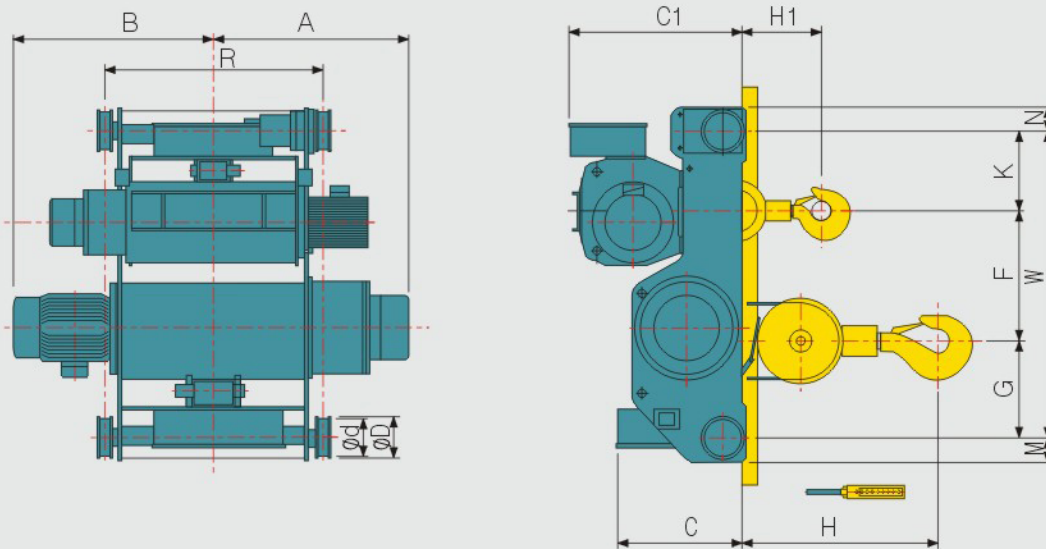
Capacity (ton)		2	2.8	3	5	10	
Model		KDWDL 2	KDWDL 2.8	KDWDL 3	KDWDL 5	KDWDL 10	
Hoisting Lift (m)		6(9)	6(9)	6(9)	6(9)	6(9)	
Hoisting	Speed(m/min)	High speed 50/60(Hz)	8.4/10	7.5/9	7.5/9	4.7/5.6	3.7/4.5
		Low speed 50/60(Hz)	4.2/5	3.7/4.5	3.7/4.5	3.5/4.2	2.5/3
	Motor(KwXP)	High speed	3.7 X 4	4.8 X 4	5.5 X 4	5.5 X 6	9 X 8
		Low speed	1.8 X 8	2.4 X 8	2.8 X 8	4.2 X 8	6 X 12
Brake		D.C Magnetic Disc Brake					
Traversing	Traversing Speed (m/min)	High speed 50/60(Hz)	20/24	20/24	20/24	20/24	12.5/15
		Low speed 50/60(Hz)	13/16	13/16	13/16	13/16	8.3/10
	Traversing Motor (KwXP)	High speed	0.75 X 4	0.75 X 4	0.75 X 4	0.75 X 4	0.75 X 4
		Low speed	0.5 X 6	0.5 X 6	0.5 X 6	0.5 X 6	0.5 X 6
Wire rope DIA(mm) No. Of Falls		8φ X 4	9φ X 4	9φ X 4	11.2φ X 4	16φ X 4	
Approx. Dimensions(mm)	H	390	400	400	480	860	
	R	950	950	950	1150	1150	
	A	590(660)	620(690)	620(690)	715(790)	7850(885)	
	B	555(625)	545(615)	545(615)	615(690)	765(865)	
	C	170	170	170	210	215	
	F	300	315	315	330	350	
	W	690(830)	690(830)	690(830)	840(990)	880(1080)	
	φ d	140	140	140	165	165	
	φ D	170	170	170	195	195	
Min curve of radius(m)		15	15	15	15	15	
Approx.Weight(kg)		395(425)	460(490)	460(490)	755(795)	870(920)	

[정밀수치를 요하는 현장은 당사에 사전 확인바랍니다. If minute dimension is required on the side. It should be informed to us in advance.

MAIN & Aux Type Hoist With MOTOR-DRIVEN TROLLEY

WIRE
HOIST

Ordinary Hoist



Tables of Dimensions

Capacity (ton)		10/3		15/5		20/5		30/5		
Model		KDWD 10/3		KDWD 15/5		KDWD 20/5		KDWD 30/5		
Hoisting Lift (m)		12		12		12		12		
Hositing	Speed(m/min)	High speed 50/60(Hz)	3.7/4.5	7.5/9	3.7/4.5	4.7/5.6	3.5/4.2	4.7/5.6	2.3/2.8	4.7/5.6
		Low speed 50/60(Hz)	2.5/3	3.7/4.5	2.5/3	3.5/4.2	2.3/2.8	3.5/4.2	1.5/1.8	3.5/4.2
	Motor(KwXP)	High speed	9 X 8	5.5 X 4	13 X 8	5.5 X 6	17 X 8	5.5 X 6	17 X 8	5.5 X 6
		Low speed	6 X 12	2.8 X 8	8.5 X 12	4.2 X 8	11.5 X 12	4.2 X 8	11.5 X 12	4.2 X 8
Brake		D.C Magnetic Disc Brake								
Traversing	Traversing Speed (m/min)	High speed 50/60(Hz)	12.5/15		12.5/15		12.5/15		12.5/15	
		Low speed 50/60(Hz)	8.3/10		8.3/10		8.3/10		8.3/10	
	Traversing Motor (KwXP)	High speed	0.75 X 4		1.5 X 4		1.5 X 4		1.5 X 4 (2 Units)	
	Low speed	0.5 X 6		1.0 X 6		1.0 X 6		1.0 X 6 (2 Units)		
Wire rope DIA(mm) No. Of Falls		16φ X 4	12.5φ X 2	20φ X 4	16φ X 2	22.4φ X 4	16φ X 2	22.4φ X 6	16φ X 2	
Approx. Dimensions(mm)	H	775		995		1175		1790		
	H1	340		420		390		285		
	R	1150		1200		1300		1800		
	A	955		1005		1195		1455		
	B	975		1075		1165		1425		
	C	655		850		855		930		
	C1	780		870		900		1005		
	F	590		680		680		850		
	W	1470		1600		1680		2110		
	M	100		140		140		160		
	N	110		150		140		180		
	K	385		465		420		380		
	G	495		455		580		880		
	Ød	165		180		220		250		
ØD	195		210		250		280			
Min curve of radius(m)		15		22		22		30		
Approx.Weight(kg)		1700		2475		3000		4250		

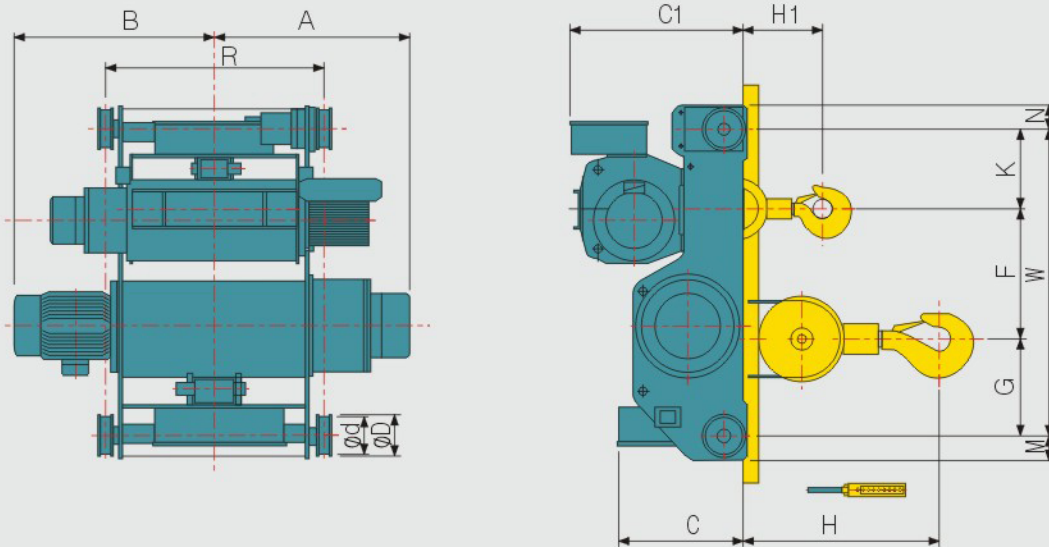
[정밀수치를 요하는 현장은 당사에게 사전 확인바랍니다. If minute dimension is required on the side. It should be informed to us in advance.

MAIN & Aux Type

HOIST WITH MOTOR-DRIVEN TROLLEY

WIRE
HOIST

Ordinary Hoist



Tables of Dimensions

Capacity (ton)		10/5		15/7.5		20/10		30/10		
Model		KDWD 10/5		KDWD 15/7.5		KDWD 20/10		KDWD 30/10		
Hoisting Lift (m)		12		12		12		12		
Hoisting	Speed(m/min)	High speed 50/60(Hz)	3.7/4.5	4.7/5.6	3.7/4.5	3.1/3.8	3.5/4.2	3.7/4.5	2.3/2.8	3.7/4.5
		Low speed 50/60(Hz)	2.5/3	3.5/4.2	2.5/3	2.3/2.8	2.3/3	2.5/3	1.5/1.8	2.5/3
	Motor(KwXP)	High speed	9 X 8	5.5 X 6	13 X 8	5.5 X 6	17 X 8	9 X 8	17 X 8	9 X 8
		Low speed	6 X 12	4.2 X 8	8.5 X 12	4.2 X 8	11.5 X 12	6 X 12	11.5 X 12	6 X 12
Brake		D.C Magnetic Disc Brake								
Traversing	Traversing Speed (m/min)	High speed 50/60(Hz)	12.5/15		12.5/15		12.5/15		12.5/15	
		Low speed 50/60(Hz)	8.3/10		8.3/10		8.3/10		8.3/10	
	Traversing Motor (KwXP)	High speed	0.75 X 4		1.5 X 4		1.5 X 4		1.5 X 4 (2 Uuits)	
	Low speed	0.5 X 6		1.0 X 6		1.0 X 6		1.0 X 6 (2 Uuits)		
Wire rope DIA(mm) No. Of Falls		16φ X 4	16φ X 2	20φ X 4	14φ X 4	22.4φ X 4	16φ X 4	22.4φ X 6	16φ X 4	
Approx. Dimensions(mm)	H	775		995		1175		1790		
	H1	435		480		740		420		
	R	1150		1200		1300		1800		
	A	975		1075		1195		1425		
	B	955		1005		1170		1455		
	C	670		855		855		930		
	C1	855		895		980		1095		
	F	635		750		790		960		
	W	1540		1650		1840		2400		
	M	100		140		140		160		
	N	110		150		140		180		
	K	415		445		480		560		
	G	495		455		570		880		
φd	165		180		220		250			
φD	195		210		250		280			
Min curve of radius(m)		15		22		22		30		
Approx.Weight(kg)		1950		2950		3750		4600		

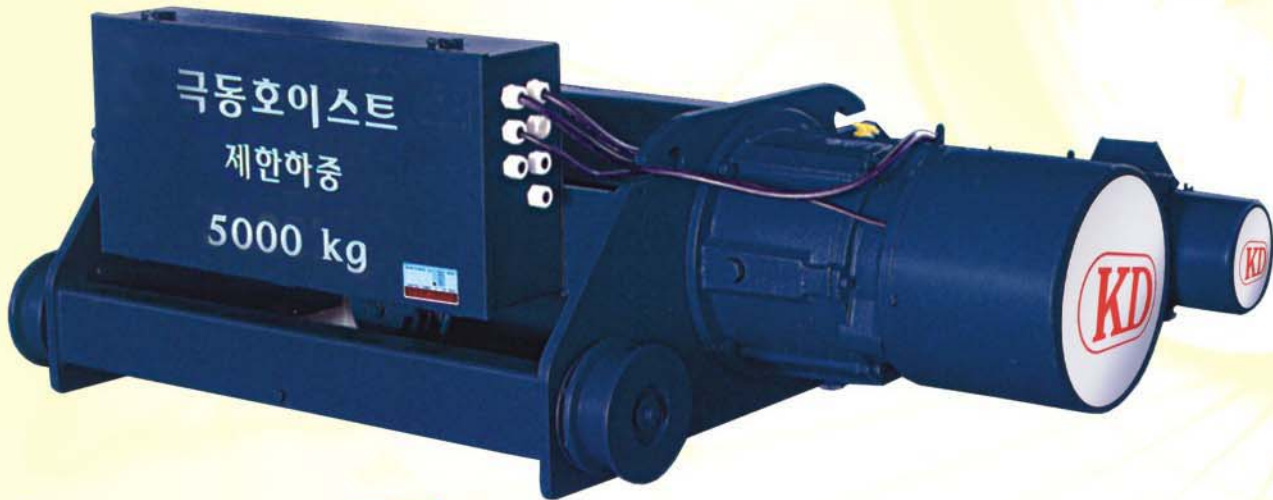
[정밀수치를 요하는 현장은 당시에 사전 확인바랍니다. If minute dimension is required on the side. It should be informed to us in advance.

Kuk Dong CREEP Hoist

Soft Landing

기계조립 및 형맞춤 등의 정밀 작업에 탁월한 성능을 발휘합니다.

Demonstrates excellent performance in doing precise machinery assembling and form adjusting



CHARACTERISTIC 특징

미속 Hoist는 작업능률을 향상시킵니다.

Inching없이 정위치에 확실히 운반물을 착상시킬수 있으며, 운반물을 운반시에는 고속으로, 정밀한 작업시에는 미속으로 할수 있으므로 운반물의 Over Run이 없이 안전하고 능률적입니다.

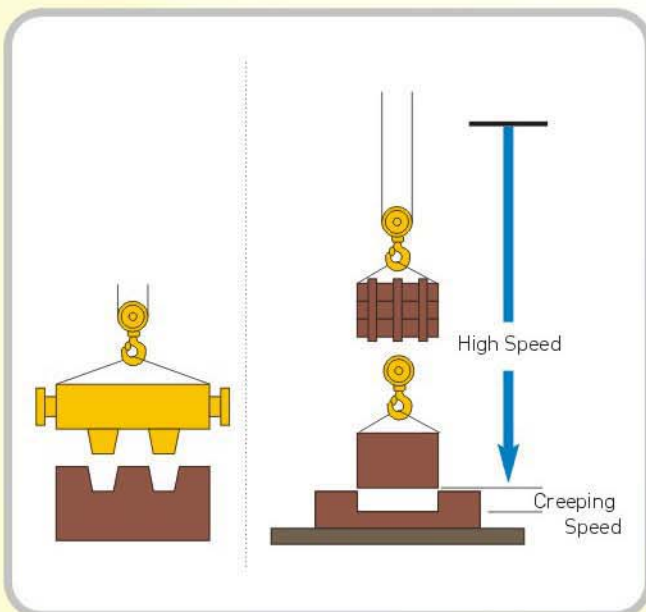
안전작업이 약속됩니다.

단거리의 승강도 정속하고 확실히되므로 사고가 방지됩니다.

또한 고속 미속의 교환이 충격없이 변화합니다. 2단 Push Button Switch의 작동은 살짝 누르면 미속, 세게 누르면 고속이 되므로 잘못 조작 사용시에도 위험이 없습니다.

운반물에 손상을 주지 않습니다.

정지의망위치를 지나치거나, 모지라거나 충격적으로 착상하는 일이 없으므로 정밀가공품이라도 손상시키는 일은 없습니다.



WORKING EFFICIENCY

Speed is freely changed with push buttons at a high speed when large movement and creep speed when fine adjusting movement. The hoisted load is securely and efficiently stopped and unloaded.

SAFETY DESIGN

Two motors of creep speed and high speed are provided. The creep speed selected by 2nd level pushed button and the high speed by 1st level pushed button. Even if load is hoisted for a short distance, it is stably and smoothly.

DURABILITY AND ECONOMICAL IMPROVEMENT

Since inching operation is unnecessary, there is no over-current, mechanism shock is softened and durability is increased. Thus, the hoist is the energy saving type which reduces demand.

FINETWORK, VARIOUS APPLICATIONS

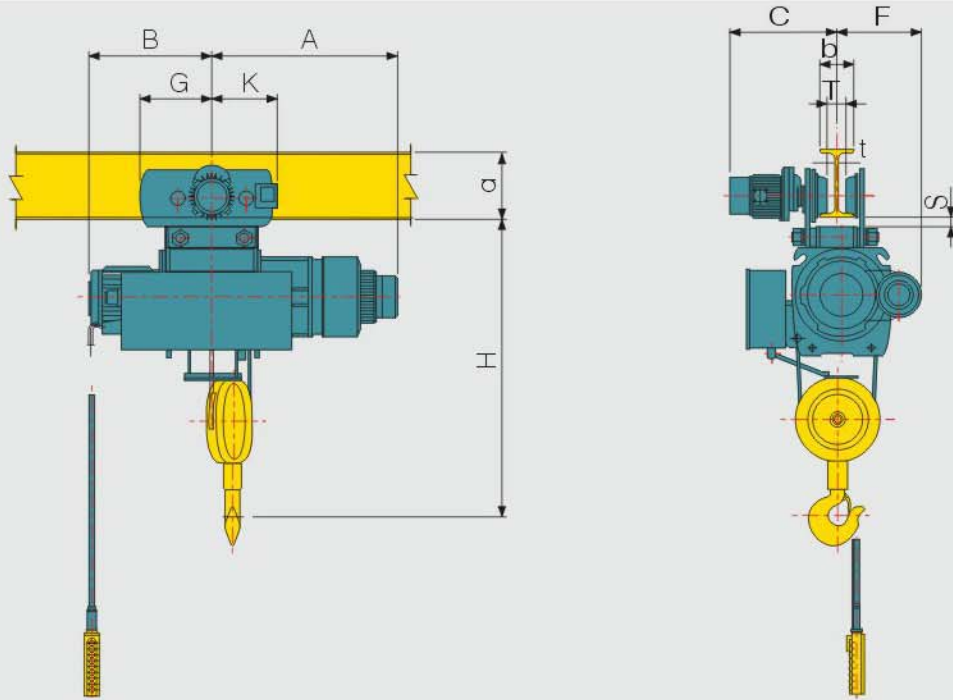
- Work removable to machine tool
- Machine assembly
- Die machining of injection machine
- Die transfer, machining and drawing works at casting shop
- Change of jigs and tools

ORDINARY Type

CREEP HOIST With MOTOR-DRIVEN TROLLEY

WIRE
HOIST

Creep Hoist



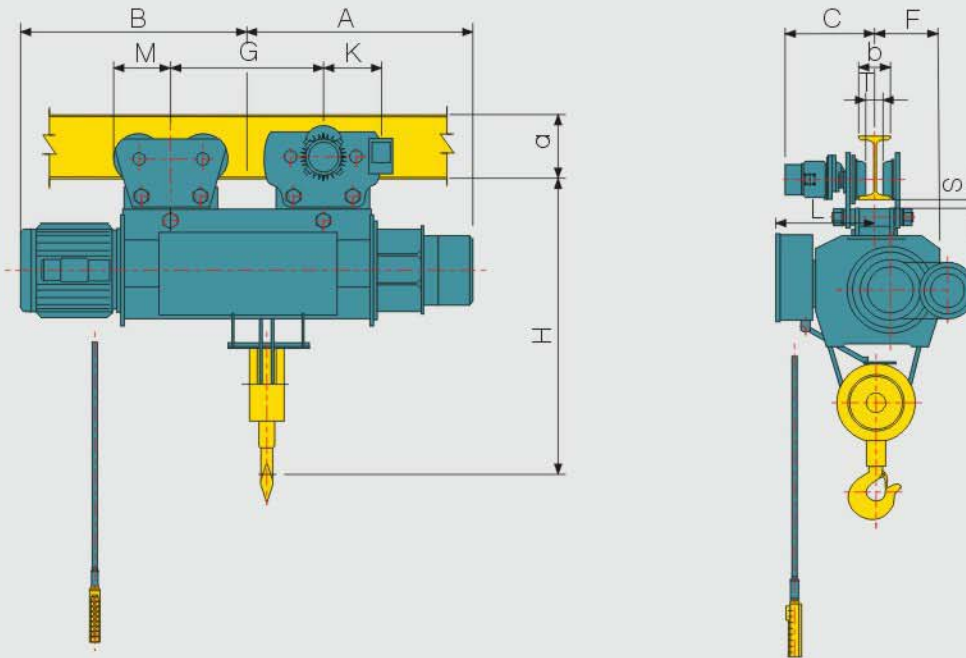
Tables of Dimensions

Capacity (ton)		1			2			2.8			3			5		
Model		KDWMC 1			KDWMC 2			KDWMC 2.8			KDWMC 3			KDWMC 5		
Hoisting Lift (m)		6(12)			6(12)			6(12)			6(12)			6(12)		
Hoisting	Speed(m/min)	High/Creep speed 50Hz		10/1.0		8.4/0.84		7.5/0.75		7.5/0.75		4.7/0.47				
		High/Creep speed 60Hz		12/1.2		10/1		9/0.9		9/0.9		5.6/0.56				
	Motor(KwXP)	High speed		2.4 X 4		3.7 X 4		4.8 X 4		5.5 X 4		5.5 X 6				
		Creep speed		0.4 X 4		0.4 X 4		1.1 X 4		1.1 X 4		1.0 X 6				
Brake		D.C Magnetic Disc Brake														
Traversing	Traversing Speed (m/min)	High speed 50/60(Hz)		20/24		20/24		20/24		20/24		20/24				
		Low speed 50/60(Hz)		13/16		13/16		13/16		13/16		13/16				
	Traversing Motor (KwXP)	High speed		0.4 X 4		0.75 X 4		0.75 X 4		0.75 X 4		0.75 X 4				
		Low speed		0.2 X 6		0.5 X 6		0.5 X 6		0.5 X 6		0.5 X 6				
Wire rope DIA(mm) No. Of Falls		8φ X 2		10φ X 2		12.5φ X 2		12.5φ X 2		16φ X 2						
Approx. Dimensions(mm)	H		815		980		1115		1115		1325					
	A		595(615)		635(675)		760(770)		760(770)		840(850)					
	B		380(560)		430(590)		445(635)		445(635)		515(705)					
	F		375		380		445		445		470					
	G		255		260		260		260		275					
Dimensions with respect to I-beam	K		200		225		225		225		275					
	a X b X t		C	S	T	C	S	T	C	S	T	C	S	T		
	I-200 X 100 X 7		400	39	46	-	-	-	-	-	-	-	-	-		
	I-250 X 125 X 7.5		410	37	71	455	34	76	454	34	76	454	34	76	465	46
I-300 X 150 X 10		425	32	96	465	32	95	465	32	95	465	32	95	480	40	85
Min curve of radius(m)		1.5		1.8		1.8		1.8		1.8		2.3				
Approx.Weight(kg)		225(245)		320(355)		415(460)		415(460)		635(700)						

*Note : 1) Figures in parentheses show hoists of 12m Lift.
2) Dimensions of I-beam in yellow sections are standard ones. Other I-beam also can be used by changing spacers.

[정밀수치를 요하는 현장은 당사에게 사전 확인바랍니다. If minute dimension is required on the side. It should be informed to us in advance.

ORDINARY Type CREEP HOIST With MOTOR-DRIVEN Trolley



Creep Hoist

Tables of Dimensions

Capacity (ton)		7.5			10			15			20			
Model		KDWMC 7.5			KDWMC 10			KDWMC 15			KDWMC 20			
Hoisting Lift (m)		12			12			12			12			
Hoisting	Speed(m/min)	High/Creep speed 50Hz	3.1/0.31			3.7/0.37			3.7/0.37			3.5/0.35		
		High/Creep speed 60Hz	3.8/0.38			4.5/0.45			4.5/0.45			4.2/0.42		
	Motor(KwXP)	High speed	5.5 X 6			9 X 8			13 X 8			17 X 8		
		Creep speed	1.0 X 6			1.1 X 8			1.8 X 8			1.8 X 8		
Traversing		D.C Magnetic Disc Brake												
Traversing	Traversing Speed (m/min)	High speed 50/60(Hz)	12.5/15			12.5/15			12.5/15			12.5/15		
		Low speed 50/60(Hz)	8.3/10			8.3/10			8.3/10			8.3/10		
	Traversing Motor (KwXP)	High speed	0.75 X 4 (2 units)			0.75 X 4 (2 units)			1.5 X 4 (2 units)			1.5 X 4 (2 units)		
Low speed		0.5 X 6 (2 units)			0.5 X 6 (2 units)			1.0 X 6 (2 units)			1.0 X 6 (2 units)			
Wire rope DIA(mm) No. Of Falls		14φ X 4			16φ X 4			20φ X 4			22.4φ X 4			
Approx. Dimensions(mm)	H	1460			1520			1875			2115			
	A	1170			1225			1365			1460			
	B	835			955			1005			1195			
	F	505			570			620			660			
	L	465			530			615			640			
	G	800			800			800			850			
	M	250			250			270			270			
Dimensions with respect to I-beam	a X b X t	C	S	T	C	S	T	C	S	T	C	S	T	
		I-300 X 150 X 10	480	35	68	480	35	68						
		I-400 X 175 X 13	495	32	93	495	32	93	580	25	77	580	25	77
		I-600 X 190 X 13	510	25	118	510	25	118	590	23	92	590	23	92
Min curve of radius(m)		For straight rail only												
Approx.Weight(kg)		970			1280			2180			2520			

※Note : 1) If curved rail requires, this must be indicated in advance.

2) Dimensions of I-beam in shaded sections are standard ones. Other I-beam also can be used by changing spacers.

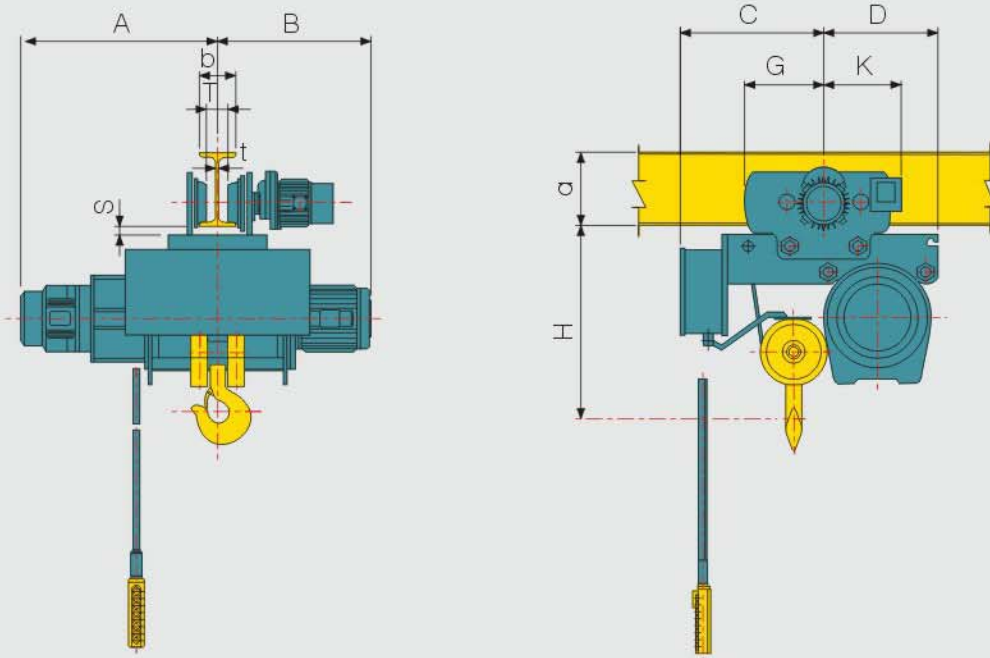
[정밀수치를 요하는 현장은 당사에 사전 확인바랍니다. If minute dimension is required on the side. It should be informed to us in advance.

Low-Head Type

Creep Hoist With Motor-Driven Trolley

WIPE
HOIST

Creep Hoist



Tables of Dimensions

Capacity (ton)		1	2	2.8	3	5	
Model		KDWMLC 1	KDWMLC 2	KDWMLC 2.8	KDWMLC 3	KDWMLC 5	
Hoisting Lift (m)		6(9)	6(9)	6(9)	6(9)	6(9)	
Hoisting	Speed(m/min)	High/Creep speed 50Hz	10/1	8.4/0.84	7.5/0.75	7.5/0.75	4.7/0.47
		High/Creep speed 60Hz	12/1.2	10/1.0	9/0.9	9/0.9	5.6/0.56
	Motor(KwXP)	High speed	2.4 X 4	3.7 X 4	4.8 X 4	5.5 X 4	5.5 X 6
		Creep speed	0.4 X 4	0.4 X 4	1.1 X 4	1.1 X 4	1.0 X 6
Brake		D.C Magnetic Disc Brake					
Traversing	Traversing Speed (m/min)	High speed 50/60(Hz)	20/24	20/24	20/24	20/24	20/24
		Low speed 50/60(Hz)	13/16	13/16	13/16	13/16	13/16
	Traversing Motor (KwXP)	High speed	0.4 X 4	0.75 X 4	0.75 X 4	0.75 X 4	0.75 X 4
		Low speed	0.2 X 6	0.5 X 6	0.5 X 6	0.5 X 6	0.5 X 6
Wire rope DIA(mm) No. Of Falls		6φ X 4	8φ X 4	9φ X 4	9φ X 4	11.2φ X 4	
Approx. Dimensions(mm)	H	550	585	620	620	800	
	A	695(775)	760(830)	860(930)	860(930)	940(1015)	
	B	480(550)	555(625)	545(615)	545(615)	615(695)	
	C	460	460	510	510	585	
	D	265	385	395	395	465	
	K	255	260	260	260	275	
Dimensions with respect to I-beam	a X b X t	S T	S T	S T	S T	S T	
	I-200 X 100 X 7	38 46	35 45	35 45	35 45	- -	
	I-250 X 125 X 7.5	30 71	34 71	34 71	34 76	46 61	
	I-300 X 150 X 10	28 96	32 96	32 96	32 96	40 86	
Min curve of radius(m)		1.5	1.8	1.8	1.8	2.3	
Approx.Weight(kg)		275(325)	440(480)	545(605)	545(605)	775(855)	

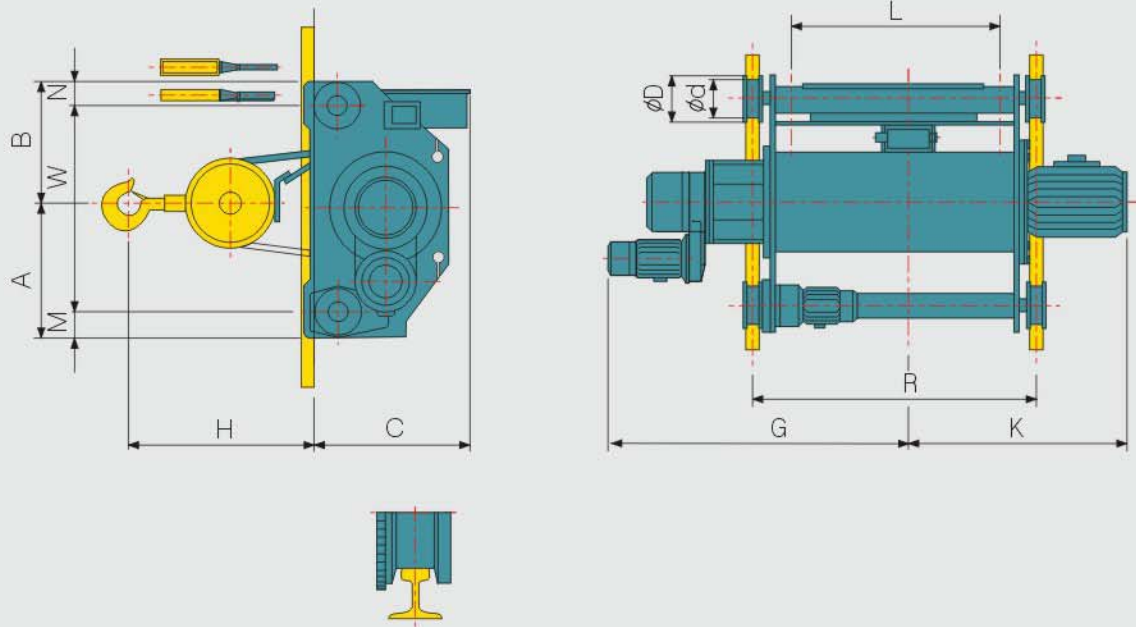
※Note : 1) If curved rail requires, this must be indicated in advance.

2) Dimensions of I-beam in yellow sections are standard ones. Other I-beam also can be used by changing spacers.

[정밀수치를 요하는 현장은 당사에 사전 확인바랍니다. If minute dimension is required on the side. It should be informed to us in advance.

Double-Rail Type

CREEP HOIST WITH MOTOR-DRIVEN TROLLEY



Tables of Dimensions

Capacity (ton)		2	2.8	3	5	7.5	10	15	20	30	
Model		KDWDC 2	KDWDC 2.8	KDWDC 3	KDWDC 5	KDWDC 7.5	KDWDC 10	KDWDC 15	KDWDC 20	KDWDC 30	
Hoisting Lift (m)		12	12	12	12	12	12	12	12	12	
Hoisting	Speed(m/min)	High/Creep speed 50Hz	8.4/0.84	7.5/0.75	7.5/0.75	4.7/0.47	3.1/0.31	3.7/0.37	3.7/0.37	3.5/0.35	2.3/0.23
		High/Creep speed 60Hz	10/1.0	9/0.9	9/0.9	5.6/0.56	3.8/0.38	4.5/0.45	4.5/0.45	4.2/0.42	2.8/0.28
	Motor(KwXP)	High speed	3.7 X 4	4.8 X 4	5.5 X 4	5.5 X 6	5.5 X 6	9 X 8	13 X 8	17 X 8	17 X 8
		Creep speed	0.4 X 4	1.1 X 4	1.1 X 4	1.0 X 6	1.0 X 6	1.1 X 8	1.8 X 8	1.8 X 8	1.8 X 8
Brake		D.C Magnetic Disc Brake									
Traversing	Traversing Speed (m/min)	High speed 50/60(Hz)	20/24	20/24	20/24	20/24	12.5/15	12.5/15	12.5/15	12.5/15	12.5/15
		Low speed 50/60(Hz)	13/16	13/16	13/16	13/16	8.3/10	8.3/10	8.3/10	8.3/10	8.3/10
	Traversing Motor (KwXP)	High speed	0.75 X 4	0.75 X 4	0.75 X 4	0.75 X 4	0.75 X 4	0.75 X 4	1.5 X 4	1.5 X 4	1.5X4(2Units)
Wire rope DIA(mm) No. Of Falls		8φ X 4	9φ X 4	9φ X 4	12.5φ X 4	14φ X 4	16φ X 4	20φ X 4	22.4φ X 4	22.4φ X 4	
Approx. Dimensions(mm)	H	415	420	420	510	730	775	995	1175	1480	
	R	950	950	950	1150	1150	1150	1200	1300	1800	
	A	465	465	465	510	525	565	625	670	940	
	B	390	390	390	470	480	510	555	615	940	
	C	560	580	380	620	580	700	850	900	935	
	G	910	1025	1025	1170	1170	1225	1365	1460	1720	
	K	705	705	705	845	835	955	1005	1195	1455	
	W	650	650	650	760	800	865	920	1000	1540	
	L	680	690	690	890	850	850	870	935	1420	
	M	120	120	120	120	110	110	130	140	180	
N	95	95	95	105	95	100	130	140	180		
φd	140	140	140	165	165	165	180	220	250		
φD	170	170	170	195	195	195	210	250	280		
Min curve of radius(m)		15	15	15	15	15	15	22	22	30	
Approx.Weight(kg)		490	590	590	900	955	1265	1920	2385	3536	

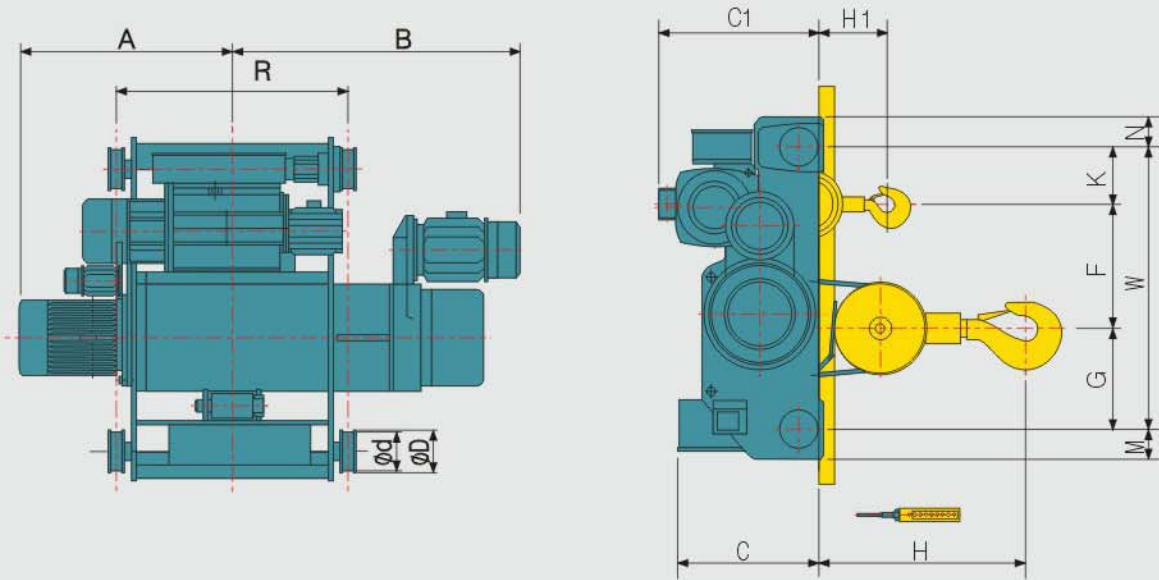
[정밀수치를 요하는 현장은 당사에게 사전 확인바랍니다. If minute dimension is required on the side. It should be informed to us in advance.

MAIN & Aux Type

CREEP HOIST With MOTOR-DRIVEN Trolley

WIRE
HOIST

Creep Hoist



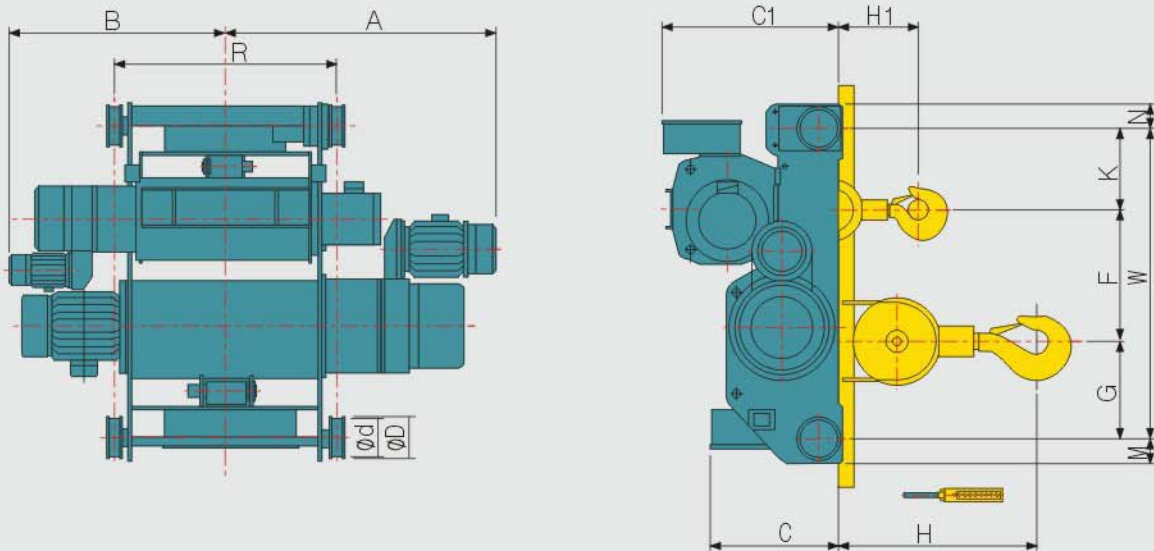
Tables of Dimensions

Capacity (ton)		10/3		15/5		20/5		30/5			
Model		KDWDC 10/3		KDWDC 15/5		KDWDC 20/5		KDWDC 30/5			
Hoisting Lift (m)		12		12		12		12			
Hoisting	Speed(m/min)	High/Creep speed 50Hz		3.7/0.37	7.5/0.75	3.7/0.37	4.7/0.47	3.5/0.35	4.7/0.47	2.3/0.23	4.7/0.47
		High/Creep speed 60Hz		4.5/0.45	9/0.9	4.5/0.45	5.6/0.56	4.2/0.42	5.6/0.56	2.8/0.28	5.6/0.56
	Motor(KwXP)	High speed		9.0 X 8	5.5 X 4	13 X 8	5.5 X 6	17 X 8	5.5 X 6	17 X 8	5.5 X 6
		Creep speed		1.1 X 8	1.5 X 4	1.8 X 8	1.0 X 6	1.8 X 8	1.0 X 6	1.8 X 8	1.0 X 6
Brake		D.C Magnetic Disc Brake									
Traversing	Traversing Speed (m/min)	High speed 50/60(Hz)		12.5/15		12.5/15		12.5/15		12.5/15	
		Low speed 50/60(Hz)		8.3/10		8.3/10		8.3/10		8.3/10	
	Traversing Motor (KwXP)	High speed		0.75 X 4		1.5 X 4		1.5 X 4		1.5 X 4 (2 Uits)	
Low speed		0.5 X 6		1.0 X 6		1.0 X 6		1.0 X 6 (2 Uits)			
Wire rope DIA(mm) No. Of Falls		16φ X 4 12.5φ X 2		20φ X 4 16φ X 2		22.4φ X 4 16φ X 2		22.4φ X 6 16φ X 2			
Approx. Dimensions(mm)	H	705		995		1175		1790			
	H1	325		420		390		285			
	R	1150		1200		1300		1800			
	A	955		1005		1195		1455			
	B	1225		1365		1460		1720			
	C	655		850		855		930			
	C1	780		870		900		1005			
	F	590		680		680		850			
	W	1470		1600		1680		2110			
	M	100		140		140		160			
	N	110		150		140		180			
	K	385		465		420		380			
	G	495		455		580		880			
φd	165		180		220		250				
φD	195		210		250		280				
Min curve of radius(m)		15		22		22		30			
Approx.Weight(kg)		1830		2605		3070		4420			

[정밀수치를 요하는 현장은 당사에 사전 확인바랍니다. If minute dimension is required on the side. It should be informed to us in advance.

MAIN & Aux Type

CREEP HOIST WITH MOTOR-DRIVEN TROLLEY



Tables of Dimensions

Capacity (ton)		10/5	15/7.5	20/10	30/10	
Model		KDWDC 10/5	KDWDC 15/7.5	KDWDC 20/10	KDWDC 30/10	
Hoisting Lift (m)		12	12	12	12	
Hoisting	Speed(m/min)	High/Creep speed 50Hz	3.7/0.37 4.7/0.47	3.7/0.37 3.1/0.31	3.5/0.35 3.7/0.37	2.3/0.23 3.7/0.37
		High/Creep speed 60Hz	4.5/0.45 5.6/0.56	4.5/0.45 3.8/0.38	4.2/0.42 4.5/0.45	2.8/0.28 4.5/0.45
	Motor(KwXP)	High speed	9.0 X 8 5.5 X 6	13 X 8 5.5 X 6	17 X 8 9.0 X 8	17 X 8 9.0 X 8
		Creep speed	1.1 X 8 1.0 X 6	1.8 X 8 1.0 X 6	1.8 X 8 1.1 X 8	1.8 X 8 1.1 X 8
Brake		D.C Magnetic Disc Brake				
Traversing	Traversing Speed (m/min)	High speed 50/60(Hz)	12.5/15	12.5/15	12.5/15	12.5/15
		Low speed 50/60(Hz)	8.3/10	8.3/10	8.3/10	8.3/10
	Traversing Motor (KwXP)	High speed	0.75 X 4	1.5 X 4	1.5 X 4	1.5 X 4 (2 Uilts)
	Low speed	0.5 X 6	1.0 X 6	1.0 X 6	1.0 X 6 (2 Uilts)	
Wire rope DIA(mm) No. Of Falls		16φ X 4 16φ X 2	20φ X 4 14φ X 4	22.4φ X 4 16φ X 4	22.4φ X 4 16φ X 4	
Approx. Dimensions(mm)	H	775	995	1175	1790	
	H1	435	480	740	420	
	R	1150	1200	1300	1800	
	A	1225	1365	1460	1720	
	B	955	1170	1225	1455	
	C	670	855	855	930	
	C1	855	895	980	1095	
	F	635	750	790	960	
	W	1540	1650	1840	2400	
	M	100	140	140	160	
	N	110	150	140	180	
	K	415	445	480	560	
	G	495	455	570	880	
φd	165	180	220	250		
φD	195	210	250	280		
Min curve of radius(m)		15	22	22	30	
Approx.Weight(kg)		1950	2950	3750	4600	

[정밀수치를 요하는 현장은 당사에 사전 확인바랍니다. If minute dimension is required on the side. It should be informed to us in advance.

LARGE - SIZED HOIST (35~70TON)

대용량의 CRANE에 조작과 보수가 간편하고 강력한 힘을 발휘하는 극동 대형 HOIST

KUK-DONG's Large-sized HOIST demonstrates enormous amount of power that can be easily controlled and repaired to large capacity cranes.



Large-Sized Hoist

CHARACTERISTIC 특징

전기 BRAKE방식 채택

하강시 제동장치에 DC BRAKE를 채택함으로써 고장과 마모부분을 줄였으며 어느 위치에서나 운반물을 안전하게 정지시킵니다.

BLOCK BUILDING SYSTEM

BLOCK BUILDING SYSTEM을 적용하여 조압이 자유자재이며 배선변경이 간편하고 고장시 짧은 시간 내에 Maintenance가 가능합니다.

광범위한 하역이 가능

대용량의 CRANE FRAME에 비해 중량이 가볍고 소형이므로 경량의 CRANE GIRDER, SADDLE을 채택하여 하역범위를 넓게 하며 건축구조물 규격과 건축물 높이를 낮출 수 있으므로 전체 건설비를 절감할 수 있는 장점이 있습니다.

무보수 무점검화

축수부분은 고정도 Bearing, 밀폐형 Oil Box내의 유성치치기구, 전기중 D.C Brake를 채용하여 보수가 간단히되며 무점검화 하였습니다.

POWERFUL AND GOOD FOR CONTINUOUS USAGE

Very powerful high torque is used, and therefore our hoist is known well as a powerful hoist. In addition all components are built to fit for the power motor, and therefore our hoist is good for continuous operation.

BLOCK BUILDING SYSTEM

The hoist can be assembled in various combination of several basic blocks, and therefore hoist type (suspension, hand-push, chain trolley, or motor-driven) can be easily interchanged, and or wiring can be done in a very short time.

LOADING AND UNLOADING OVER A VAST RANGE IS POSSIBLE

When used with large capacity CRANE, it is lighter and smaller compared to CRANE FRAME. When light-weight CRANE GIRDER and SADDLE are adopted, the range of loading and unloading can be widened and the standard of construction components and the height of the building can be lowered. Therefore, it has a merit that it can reduce the entire construction fee.

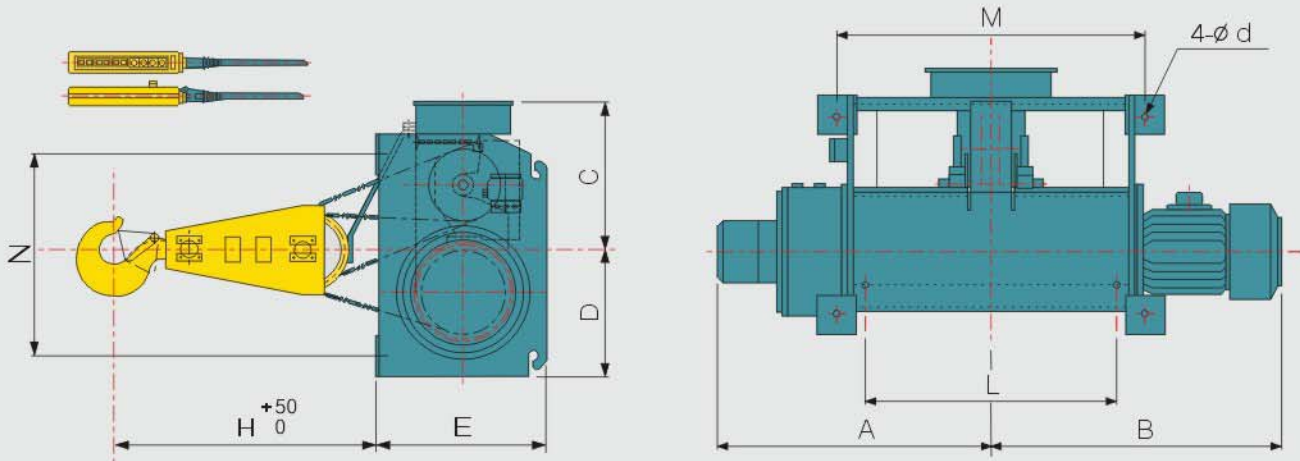
ALMOST MAINTENANCE FREE

The hoist can be used immediately since the gear oil is already poured in the oil-sealed gear section, and no special lubrication is required since sealed grease bearings are used. Mechanism employed on our hoist is designed to meet continuous operation for many years to come, and brake lining is the only item to be replaced when it had it's runs, if our instruction manual is well observed.

ORDINARY Type SUSPENSION HOIST

WIRE HOIST

Large-Sized Hoist



Tables of Dimensions

Capacity (ton)		35	50	60	70
Model		KDWS 35	KDWS 50	KDWS 60	KDWS 70
Hoisting Lift (m)		12	12	12	12
Hoisting	Hoisting speed(m/min) 50Hz	4	2.7	2	2
	Hoisting speed(m/min) 60Hz	4.8	3.2	2.4	2.4
	Hoisting Motor (KwXP)	33 X 6	33 X 6	33 X 6	33 X 6
Brake		D.C Magnetic Disc Brake			
Wire rope	Dia(mm) X no. of ropes	6 X Fi(25) 28 Φ X 4	6 X Fi(25) 28 Φ X 6	6 X Fi(25) 28 Φ X 8	6 X Fi(25) 28 Φ X 8
Approx. Dimensions(mm)	H	1500	1900	2000	2000
	A	1455	1780	2030	2030
	B	1360	1685	1935	1935
	C	560	905	1000	1000
	D	855	1100	1005	1005
	E	1000	1000	1000	1000
	L	1075	1430	1930	1930
	M	1500	2250	2750	2750
	N	1000	1600	1600	1600
ød	47	63	63	63	
Weight (approx.)(kg)		4200	6000	8200	8200

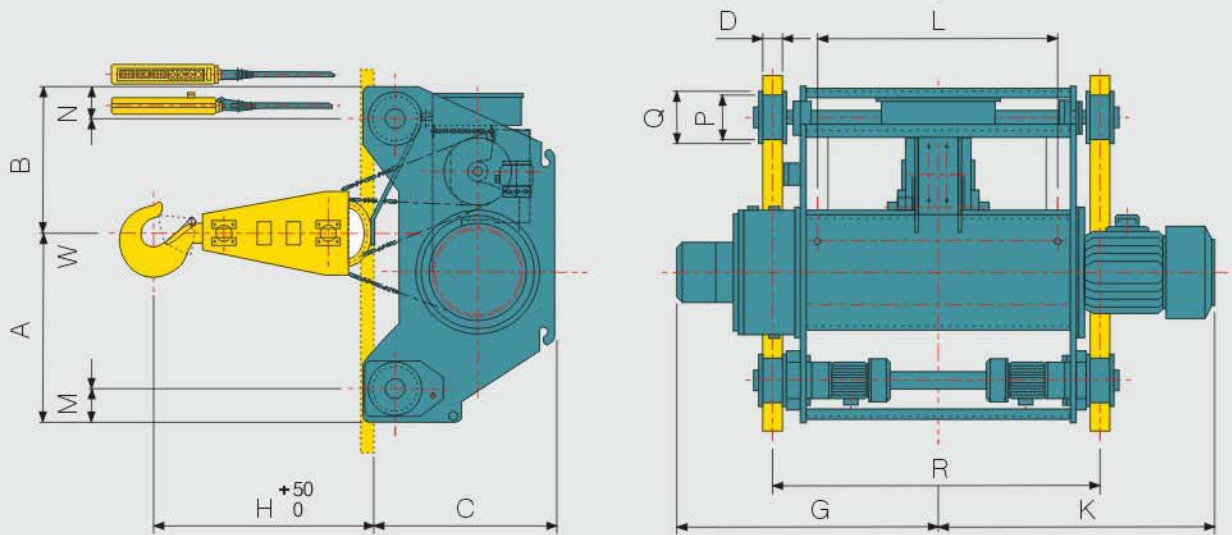
[정밀수치를 요하는 현장은 당사에 사전 확인바랍니다. If minute dimension is required on the side. It should be informed to us in advance.

Double-Rail Type

Hoist With MOTOR-DRIVEN TROLLEY

WIRE HOIST

Large-Sized Hoist



Tables of Dimensions

Capacity (ton)		35	50	60	70
Model		KDWD 35	KDWD 50	KDWD 60	KDWD 70
Hoisting Lift (m)		12	12	12	12
Hoisting	Hoisting speed(m/min) 50Hz	4	2.7	2	2
	Hoisting speed(m/min) 60Hz	4.8	3.2	2.4	2.4
	Hoisting Motor (KwXP)	33 X 6	33 X 6	33 X 6	33 X 6
Wire rope	Dia(mm) X no. of ropes	6 X Fi(25) 28φX 4	6 X Fi(25) 28φX 6	6 X Fi(25) 28φX 8	6 X Fi(25) 28φX 8
Traversing	Traversing Speed (m/min)	High speed 50/60(Hz)	12.5/15	12.5/15	12.5/15
		Low speed 50/60(Hz)	8.3/10	8.3/10	8.3/10
	Traversing Motor (KwXP)	High speed	2.2 X 4	2.2 X 4 (2units)	2.2 X 4 (2units)
		Low speed	1.5 X 6	1.5 X 6 (2units)	1.5 X 6 (2units)
Brake		D.C Magnetic Disc Brake			
Approx. Dimensions(mm)	H	1490	1680	1780	1780
	R	1600	2300	2800	2800
	A	1025	1432	1525	1525
	B	955	1243	1150	1150
	C	1012.5	1220	1220	1220
	G	1455	1780	2030	2030
	K	1360	1715	1965	1965
	W	1550	2125	2125	2075
	D	70	80	80	80
	L	1044	1430	1930	1930
	M	215	275	275	300
	N	215	275	275	300
P	355	450	450	500	
Q	395	490	490	540	
Rail(kg/m)		37	50	50	50
Weight(approx.)(kg)		5200	7000	8500	9000

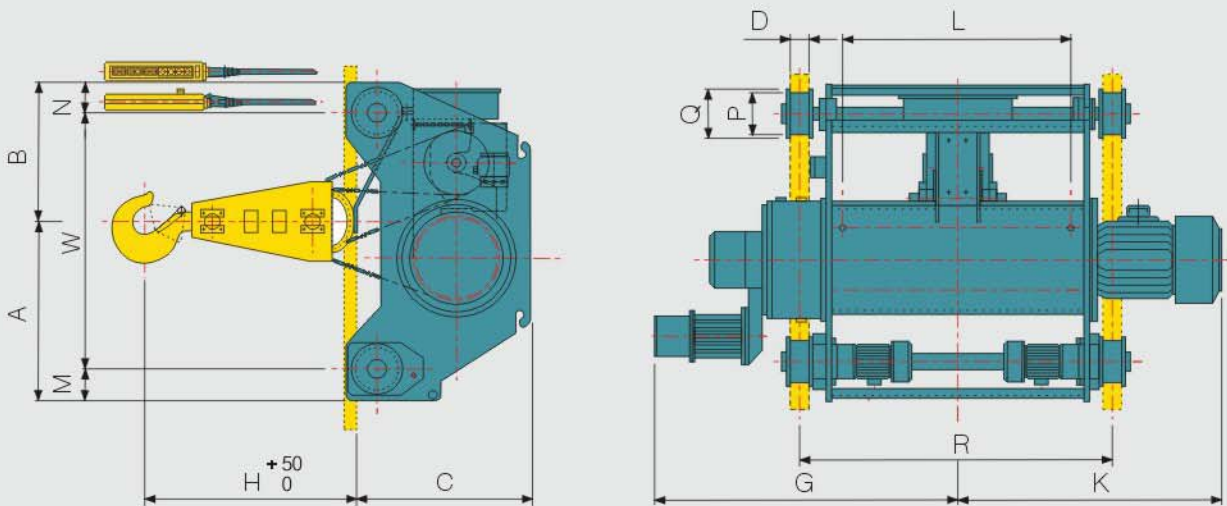
[정밀수치를 요하는 현장은 당사에 사전 확인바랍니다. If minute dimension is required on the side. It should be informed to us in advance.]

Double-Rail Type

CREEP HOIST WITH MOTOR-DRIVEN TROLLEY

WIRE
HOIST

Large-Sized Hoist



Tables of Dimensions

Capacity (ton)		35	50	60	70	
Model		KDWDC 35	KDWDC 50	KDWDC 60	KDWDC 70	
Hoisting Lift (m)		12	12	12	12	
Hositing	Speed(m/min)	High/Creep speed 50Hz	4/0.4	2.7/0.27	2/0.2	2/0.2
		High/Creep speed 60Hz	4.8/0.48	3.2/0.32	2.4/0.24	2.4/0.24
	Motor (KwXP) High/Creep speed	33X6 / 3.7X4	33X6 / 3.7X4	33X6 / 3.7X4	33X6 / 3.7X4	
Wire rope		Dia(mm) X no. of ropes				
		6 X Fi(25) 28Φ X 4	6 X Fi(25) 28Φ X 6	6 X Fi(25) 28Φ X 8	6 X Fi(25) 28Φ X 8	
Traversing	Traversing Speed (m/min)	High speed 50/60(Hz)	12.5/15	12.5/15	12.5/15	12.5/15
		Low speed 50/60(Hz)	8.3/10	8.3/10	8.3/10	8.3/10
	Traversing Motor (KwXP)	High speed	2.2 X 4	2.2 X 4(2units)	2.2 X 4(2units)	2.2 X 4(2units)
	Low speed	1.5 X 6	1.5 X 6(2units)	1.5 X 6(2units)	1.5 X 6(2units)	
Brake		D.C Magnetic Disc Brake				
Approx. Dimensions(mm)	H	1490	1680	1780	1780	
	R	1600	2300	2800	2800	
	A	1025	1432	1525	1525	
	B	955	1243	1150	1150	
	C	1015	1220	1220	1220	
	G	1735	2060	2310	2310	
	K	1360	1715	1965	1965	
	W	1550	2125	2125	2075	
	D	70	80	80	80	
	L	1044	1430	1930	1930	
	M	215	275	275	300	
	N	215	275	275	300	
P	355	450	450	500		
Q	395	490	490	540		
Rail(kg/m)		37	50	50	50	
Weight(approx.)(kg)		5200	7200	9050	9200	

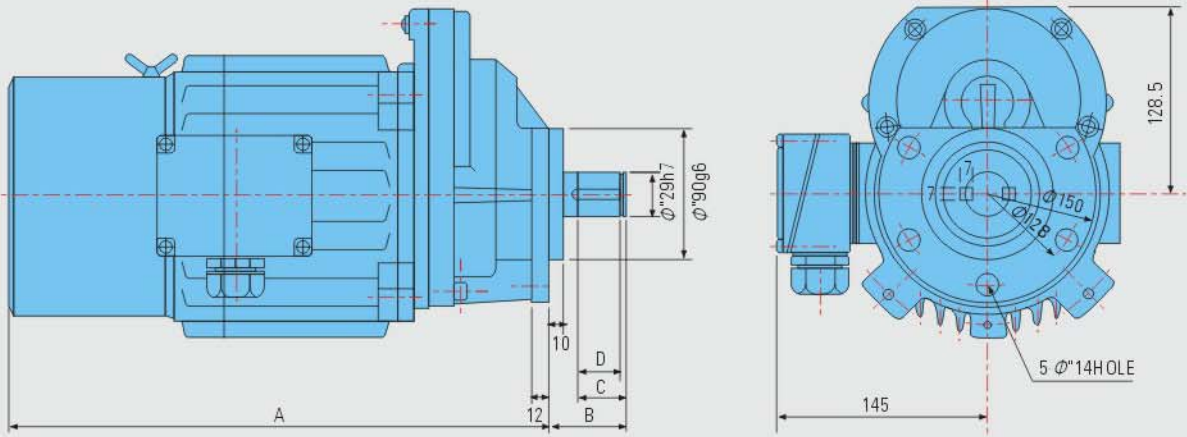
[정밀수치를 요하는 현장은 당사에게 사전 확인바랍니다. If minute dimension is required on the side. It should be informed to us in advance.]

OTHER PRODUCT GEARED MOTOR

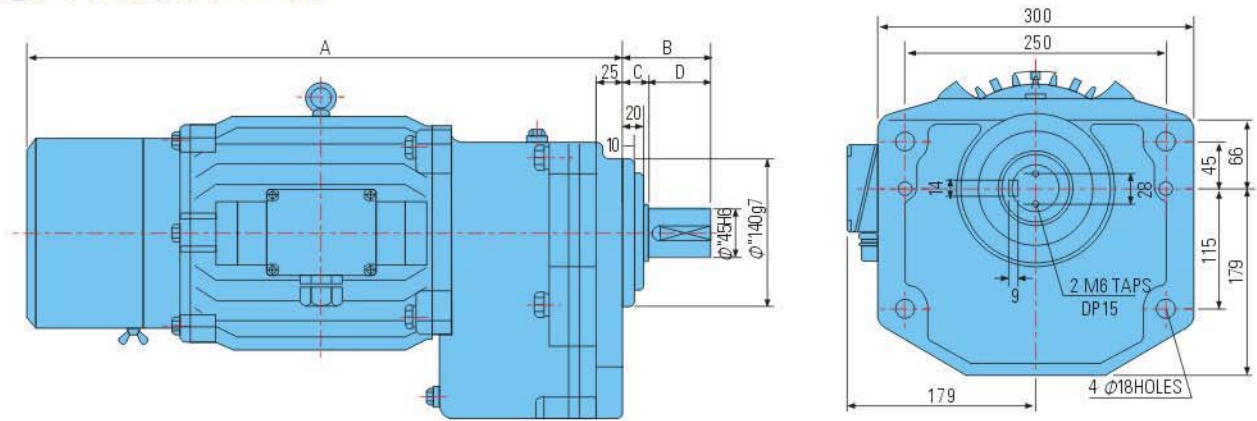
WIRE HOIST

Other Product

외형도 MODEL - A



외형도 MODEL - B



MODEL A

CAP(KW X P) DIMENSIONS	0.75X4 0.75X4	1.5X4 1.0X6	1.5X4 1.0X6
A	353	388	388
B	56.5	56.5	77.5
C	29	29	34
D	25	25	30
Reduce Ratio	1/12.12 1/16.3		

MODEL B

CAP(KW X P) DIMENSIONS	2.2 X 4 1.5 X 6
A	568
B	84
C	25
D	59
Reduce Ratio	1/20.26

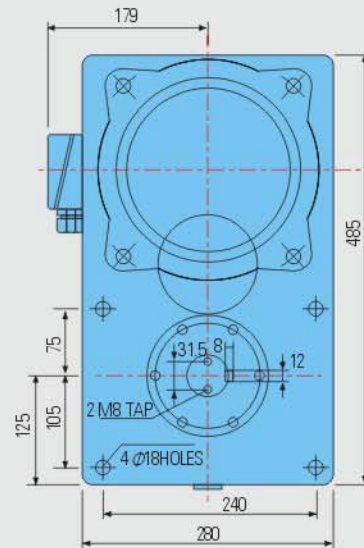
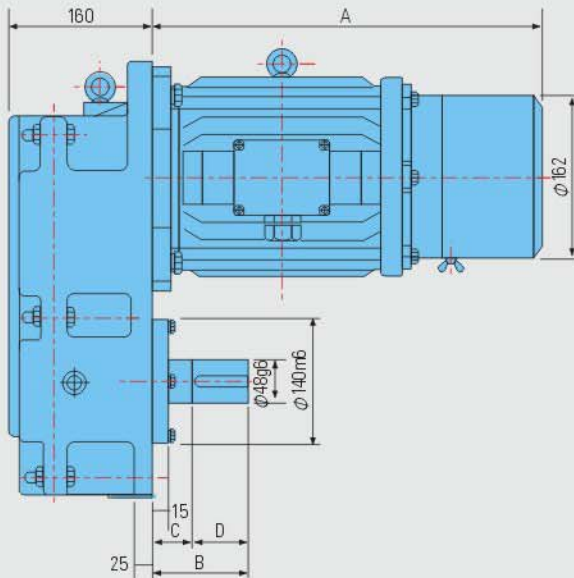
[정밀수치를 요하는 현장은 당사에 사전 확인바랍니다. If minute dimension is required on the side. It should be informed to us in advance.

OTHER PRODUCT GEARED MOTOR

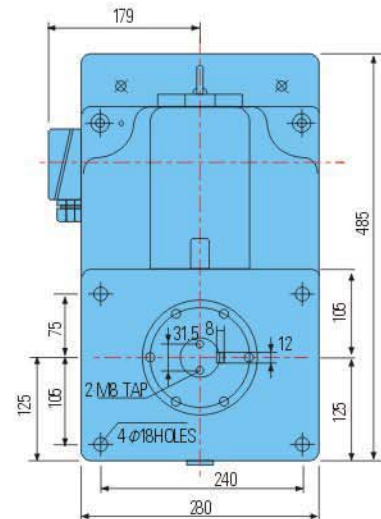
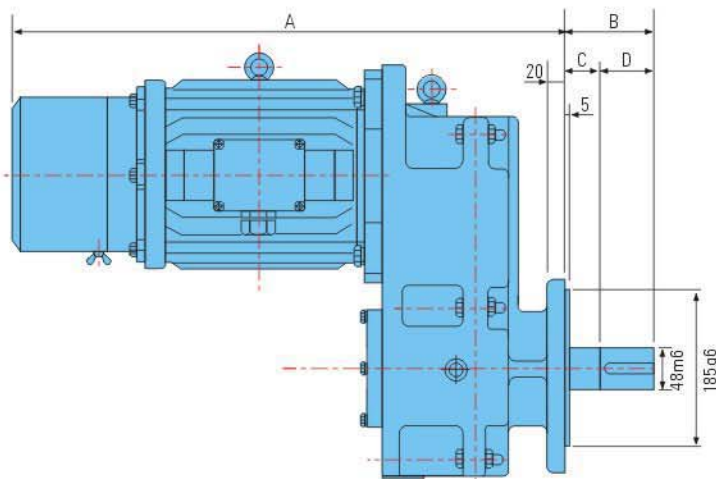
WIRE HOIST

Other Product

외형도 MODEL - C GANTRY CRANE 용



외형도 MODEL - D OVER HEAD CRANE 용



MODEL C

CAP(KW X P) DIMENSIONS	3.7 X 4 2.2 X 6
A	435
B	105
C	41
D	64
Reduce Ratio	1/22

MODEL D

CAP(KW X P) DIMENSIONS	3.7 X 4 2.2 X 6
A	655
B	105
C	41
D	64
Reduce Ratio	1/22

[정밀수치를 요하는 현장은 당사에 사전 확인바랍니다. If minute dimension is required on the side. It should be informed to us in advance.

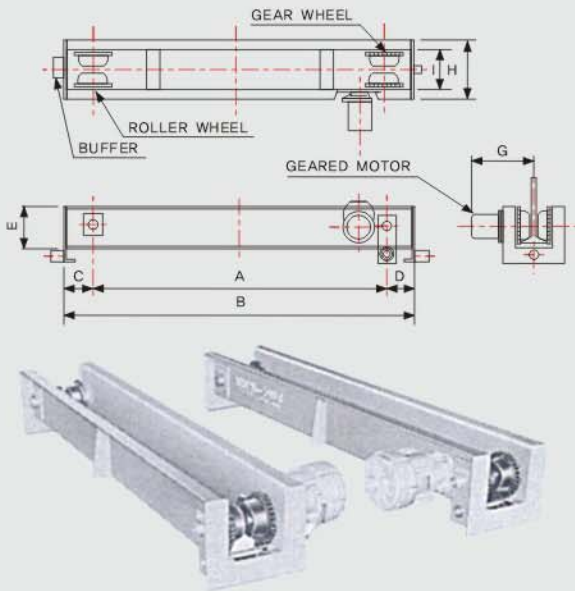
OTHER PRODUCT

END CARRIAGE (SUSPENSION/OVER HEAD)

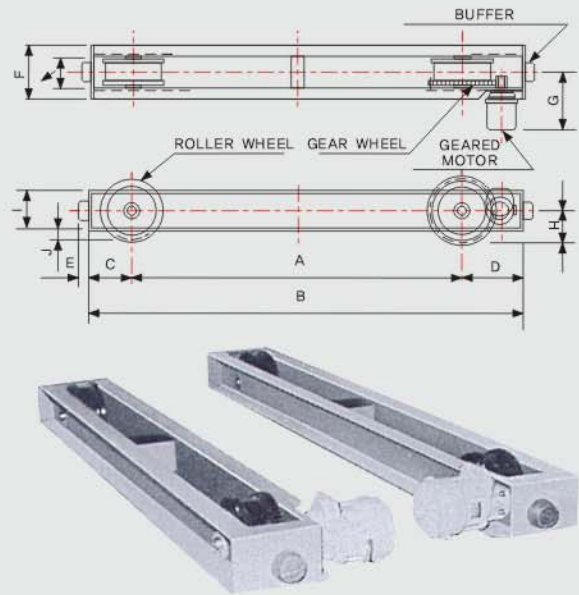
WIDE
HOIST

Other Product

Suspension Type



Over Head Type



Suspension Type

TYPE	CAPACITY (TON)	MOTOR (KW)	DIMENSIONS								I-BEAM SIZE	
			A	B	C	D	E	I	H	G	P	
KD 100-10	0.5~2	0.2X2	1000	1350	150	200	150	P+195	P+45	H/2+285	75,100,125	
KD 115-15	3(2.8)	0.4X2	1500	1850	150	200	150	P+199	P+49	H/2+335	100,125	
KD 135-20	5	0.75X2	2000	2350	150	200	180	P+201	P+51	H/2+290	125,150	
KD 135-25	5		2500	3000	200	300	180	P+201	P+51	H/2+290	125,150	
KD 135-25	7.5	1.5X2	2500	3000	200	300	200	P+211	P+51	H/2+305	150,175	
KD 135-30	7.5		3000	3500	200	300	200	P+211	P+51	H/2+305	150,175	

Over Head Type

() 는 BRAKE 有

TYPE	DIMENSIONS(mm)											WHEEL(φ)	RAIL(kg/M)
	A	B	C	D	E	F	G	H	I	J	K		
KD 125-10	1000	1500	200	300	50	270	280(360)	100	150	12.5	120	125	15
KD 125-15	1500	2000	200	300	50	270	280(360)	100	150	12.5	120	125	
KD 125-20	2000	2500	200	300	50	270	280(360)	100	150	12.5	120	125	
KD 125-25	2500	3000	200	300	50	270	280(360)	100	150	12.5	120	125	
KD 125-30	3000	3500	200	300	50	270	280(360)	100	150	12.5	120	125	
KD 160-10	1000	1500	200	300	50	290	285(365)	120	200	20	130	160	15
KD 160-15	1500	2000	200	300	50	290	285(365)	120	200	20	130	160	
KD 160-20	2000	2500	200	300	50	290	285(365)	120	200	20	130	160	
KD 160-25	2500	3000	200	300	50	290	285(365)	120	200	20	130	160	
KD 160-30	3000	3500	200	300	50	290	285(365)	120	200	20	130	160	

[정밀수치를 요하는 연장은 당사에 사전 확인바랍니다. If minute dimension is required on the side. It should be informed to us in advance.

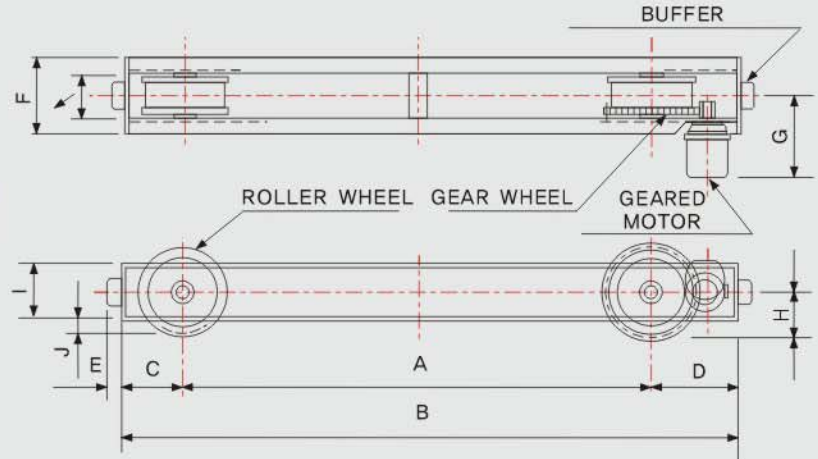
OTHER PRODUCT

END CARRIAGE (SUSPENSION/OVER HEAD)

WIDE
HOIST

Other Product

Over Head Type

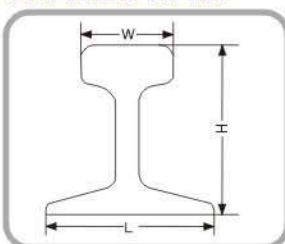


Over Head Type

※ 주문에 따라 특별사양도 제작이 가능함. () 는 BRAKE 有

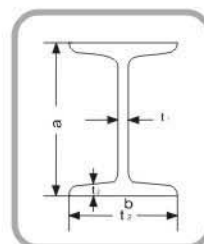
TYPE	DIMENSIONS(mm)											WHEEL(φ)	RAIL(kg/M)
	A	B	C	D	E	F	G	H	I	J	K		
KD 200-15	1500	2000	200	300	60	300	290(370)	120	200	20	140	200	15.22
KD 200-20	2000	2500	200	300	60	300	"	120	200	20	140	200	
KD 200-25	2500	3000	200	300	60	300	"	120	200	20	140	200	
KD 200-30	3000	3500	200	300	60	300	"	120	200	20	140	200	
KD 200-20	2000	2700	300	400	60	340	300(380)	120	200	30	160	250	22,30
KD 200-25	2500	3200	300	400	60	340	"	120	200	30	160	250	
KD 200-30	3000	3700	300	400	60	340	"	120	250	30	160	250	
KD 200-35	3500	4200	300	400	60	340	"	120	250	30	160	250	
KD 200-40	4000	4700	300	400	60	340	"	120	250	30	160	250	22,37
KD 200-20	2000	2700	300	400	60	340	"	120	250	30	160	315	
KD 200-25	2500	3200	300	400	60	340	"	120	250	30	160	315	
KD 200-30	3000	3700	300	400	60	340	"	120	250	30	160	315	
KD 200-35	3500	4200	300	400	60	340	"	120	300	30	160	315	30,37
KD 200-40	4000	4700	300	400	60	340	"	120	300	30	160	315	
KD 200-45	4500	5200	300	400	60	340	"	120	300	30	160	315	
KD 200-30	3000	3800	350	450	60	480	370(450)	140	300	50	300	400	
KD 200-35	3500	4300	350	450	60	480	"	140	300	50	300	400	30,37
KD 200-40	4000	4800	350	450	60	500	"	140	380	50	300	400	
KD 200-45	4500	5300	350	450	60	500	"	140	380	50	300	400	
KD 200-50	5000	5800	350	450	60	500	"	140	380	50	300	400	

TRAVEL RAIL



RAIL SIZE (單位mm)

Kg/M	W	H	L
15	48.8	79.4	79.4
22	50.8	93.7	93.7
30	60.3	107.9	107.9
37	62.7	122.2	122.2



I-BEAM SIZE (單位mm)

	150	200	250	250	300	350	400
a	X	X	X	X	X	X	X
b	75	100	125	125	150	150	150
t ₁	5.5	7	7.5	10	8	9	10
t ₂	9.5	10	12.5	19	13	15	18

[정밀수치를 요하는 현장은 당사에 사전 확인바랍니다. If minute dimension is required on the side. It should be informed to us in advance.

END CARRIAGE (SUSPENSION/OVER HEAD)

WIDE
HOIST

Other Product



극동 END-CARRIAGE의 특징

- 선택의 폭이 다양하여 수요자의 필요에 따라 가장 완벽한 타입을 선택할 수 있습니다.
- 수년간의 축적된 경험으로 비틀림이 거의 없는 뛰어난 견고성을 보장합니다.
- 모든 회전 부품의 구리스 주입된 bearing은 손쉬운 검사와 유지 보수가 용이합니다.

Selection Charts for End Carriages

CAPACITY(kg)	HOIST MODEL (KD)	END CARRIAGE FOR UNDERHUNG OVER HEAD CRANES : SPAN(M)											
		4	5	6	7	8	9	10	11	12	13	14	15
500~1000	KD-1												
2000	KD-1 KD-2			KD100-10						KD115-15			
3000	KD-1, KD-2												
5000	KD-2											KD135-25	
7500	KD-2												KD135-30

CAPACITY(kg)	HOIST MODEL (KD)	END CARRIAGE FOR TOP RUNNING OVER HEAD CRANES : SPAN(M)													
		4	6	8	10	12	14	16	18	20	22	24	26	28	30
2000	KD-1 KD-2									KD200-30					
3000	KD-1 KD-2				KD160-25										
5000	KD-2														
7500	KD-2														
10000	KD-2														
15000	KD-2														
20000	KD-2														

Long Travel Speed Specification

TYPE GEAR MOTOR	WHEEL DIA SPEED(m/min)	SUSPENSION TYPE			OVER HEAD TYPE						
		100	115	135	125	160	200	250	315	400	
KMT-020	HIGH SPEED	24	24								
	LOW SPEED	12	12								
KMT-040	HIGH SPEED		24	24	36						
	LOW SPEED		12	12	30						
GM-075	HIGH SPEED				16	16	16	16			
	LOW SPEED	10	10	10	15	15	15	15	15	20	
GM-150	HIGH SPEED	13	13	13	22	22	22	22			
	LOW SPEED				20	20	20	20	20	20	25

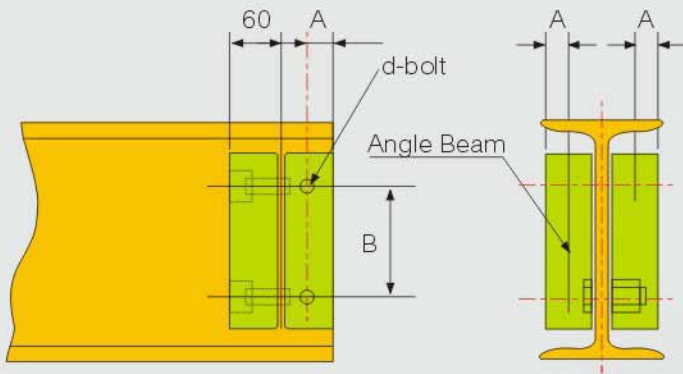
[정밀수치를 요하는 현장은 당사에 사전 확인바랍니다. If minute dimension is required on the side. It should be informed to us in advance.

OTHER PRODUCT REFERENCE DATA

WIRE HOIST

Other Product

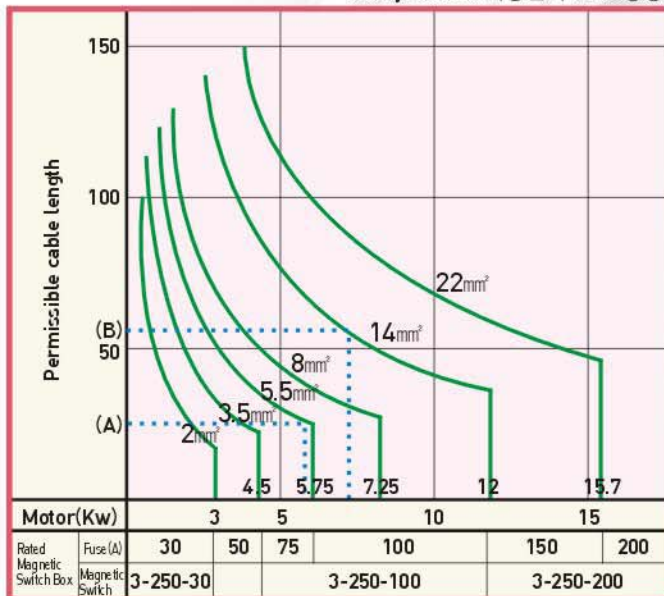
Installation of Stopper



I-beam(mm)	150 X 75	200 X 100	250 X 125	300 X 150	350 X 150	400 X 150	450 X 175
Angle Beam (mm)	50 X 50 X 6			65 X 65 X 6			
A(mm)	22			30			
B(mm)	75	105	110	140	190	230	280
d(mm)	M 12	M 16	M 16	M 20	M 20	M 20	M 20

Max.permissible length for CABTYRE cable

(Cabtyre cable 사용길이 Fuse 용량)



Max.permissible span for tracer rail(m)

(I-Beam 허용최대 Span)

I-beam size A X B X t	Allowable Span of Standard BH hoist by Capacities(m) (Supported at both ends)				
	1/2 T	1 T	2 T	3 T	5 T
200X100X7	5.8	4.1	2.9	2.3	-
250X125X7.5	8.9	6.3	4.4	3.6	-
300X150X10	14.0	9.9	7.0	5.7	4.4
350X150X9	15.3	10.8	7.6	6.2	4.8
350X150X12	18.6	13.2	9.3	7.6	5.9
400X150X10	19.2	13.6	9.6	7.8	6.1
400X150X12.5	22.1	15.6	11.0	9.0	7.0
450X175X11	-	-	-	-	7.7
450X175X13	-	-	-	-	8.6
Min. Radius of Curvature(m)	1.5	1.5	1.8	1.8	1.8



KD 크동호이스트(주)
KUKDONG HOIST CO.,LTD.

<http://www.kdhoist.com>

Printed in Korea.

Head Office.

630-2, Sunggok-dong, Danwon-Gu, Ansan-city, Kyunggi-do, KOREA
 T. 82-31-491-5311 F. 82-31-492-0473
 E-mail. kukdong@kdhoist.com

Overseas DEPT.

T. 82-2-783-4203 F. 82-2-784-6340
 E-mail. kukdong@kita.net

A/S Office

080-380-0001

Home-page

<http://www.kdhoist.com>