

VOLTAGE TRANSFORMER

PRECISE

TECHNICAL DATA FOR VOLTAGE TRANSFORMER TYPE VOL-24		
Manufacturer	PRECISE ELECTRIC MFG. CO., LTD.	
Country of origin	Thailand	
Product type	OUT DOOR / OIL IMMERSED	
Applied standard	IEC 60044-2	
Rated frequency	Hz	50
Highest system voltage	kV	24
Rated primary voltage	kV	22
Rated secondary voltage	V	110
Basic Impulse Level (BIL)		
1) Impulse Withstand Voltage	kV	125
2) Power Frequency Withstand Voltage		
: Primary winding	kV	50
: Secondary winding	kV	3
Voltage factor	1.2 Continuous, 1.5 at 30 sec	
Voltage ratio	200:1	
Burden & Accuracy Class	25 VA , Class 0.5	
Polarity	Subtractive	
Insulation class of windings	A	
Connection of primary winding	Line to Line	
Maximum temperature rise of winding	K	60
Maximum ambient temperature	°C	40
Relative humidity	%	100
Installation	Up to 1,000 m. above sea level	
Secondary terminal	Brass stud M6	
Earth clamp	for 50-95 mm ² conductor.	
Mounting	4 holes 140 x 140 x 15 mm. DIA.	
Creepage distance (minimum)	mm.	600
Total mass (approximate.)	kg	55
Outline drawing	According to DWG. No.VOL-24/P1	
Routine tests	According to IEC 60044-2	

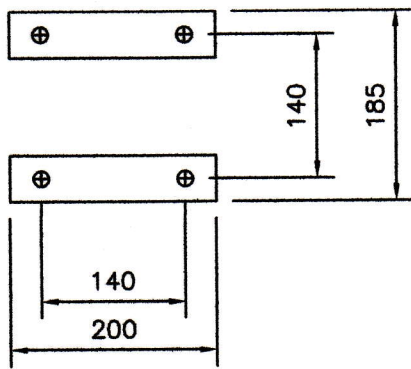
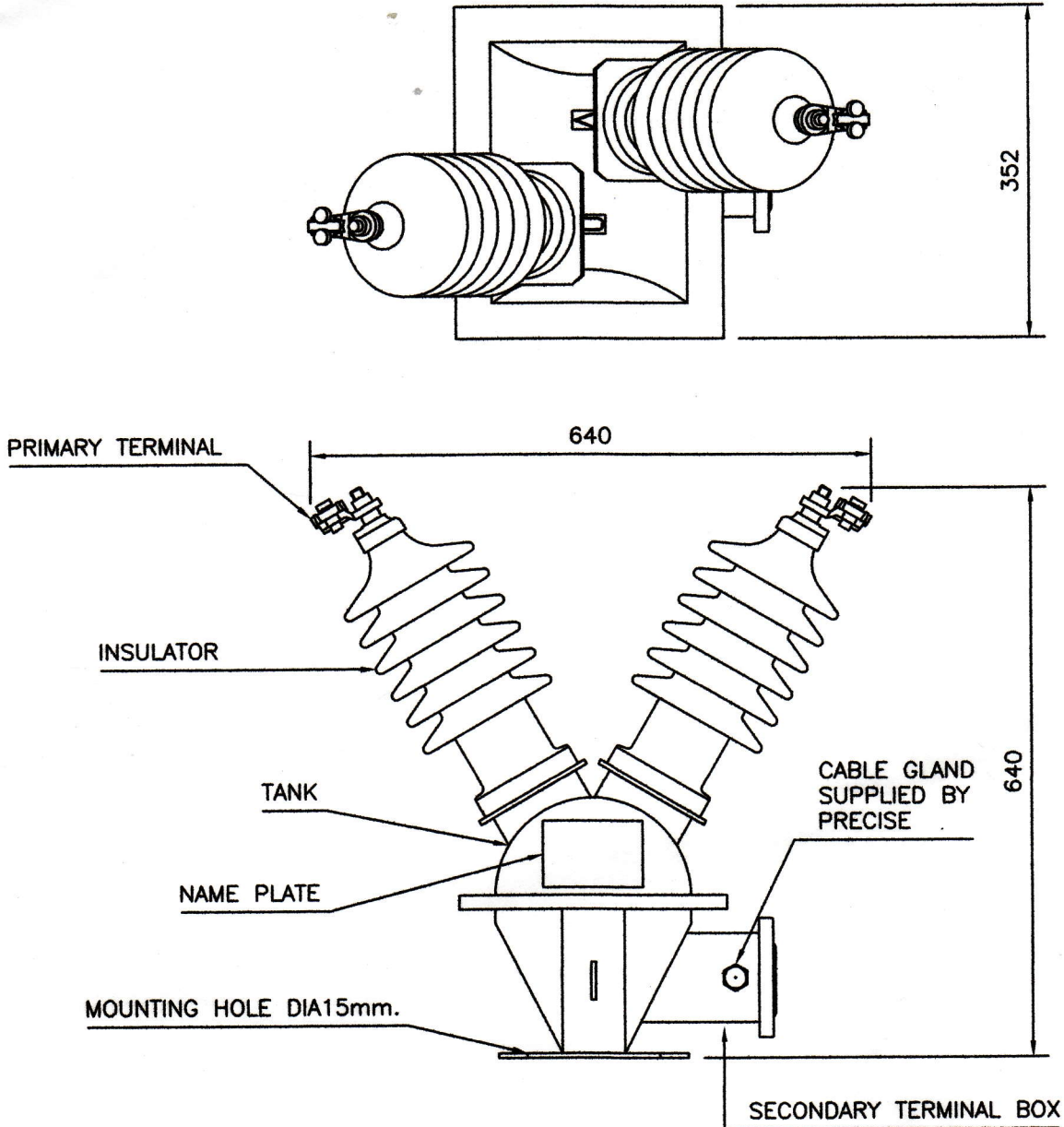
THIS DOCUMENT REMAINS THE EXCLUSIVE PROPERTY OF THE PRECISE ELECTRIC MANUFACTURING CO., LTD. RE-PRODUCTION OR ANY USE NOT IN CONFORMITY WITH THE INTENDED APPLICATION IS NOT PERMISSIBLE

UNITS OF MEASURE

11	-PIECE	24	-t	41	-mm ²	52	-cm ³	61	-dl
21	-g	31	-mm	42	-cm ²	53	-dm ³	62	-l
23	-kg	33	-m	44	-m ²	54	-m ³		

TYPE OF PARTS

M	-MATERIAL	A	-ASSEMBLY
S	-STANDARD PART	F	-SEMI ASSEMBLY
I	-INDV. PART	D	-DOCUMENT



PRELIMINARY DRAWING

NO. OF FORM	INSTRUMENT TRANSFORMER DIVISION		±10%	SURFACE KLASIF. OF QUA.		UNITS : mm.	MASS	KG/PIECE
			TOLERANCE FOR FREE DIM.			MATERIAL NO. <input type="text"/>		
			NAME	SIGN.		OUTLINE DRAWING VOLTAGE TRANSFORMER VOL-24		
			DESIGN. B.WERAYUT	25/02/03				
		CHECK A.SUPACHAI	25/02/03					
		STAND.			VOL-24/P1			
		APPROVED J.SIRICHAJ	25/02/03					
		PRECISE ELECTRIC MFG. CO., LTD.				PAGE 1		
1. 0		25/02/03	WRB	BASIC DWG.		NO. PAGES 1		
ISSUE CHANGE NO.		DATE	NAME	SUPSTIT. FOR		SUPSTIT. WITH		

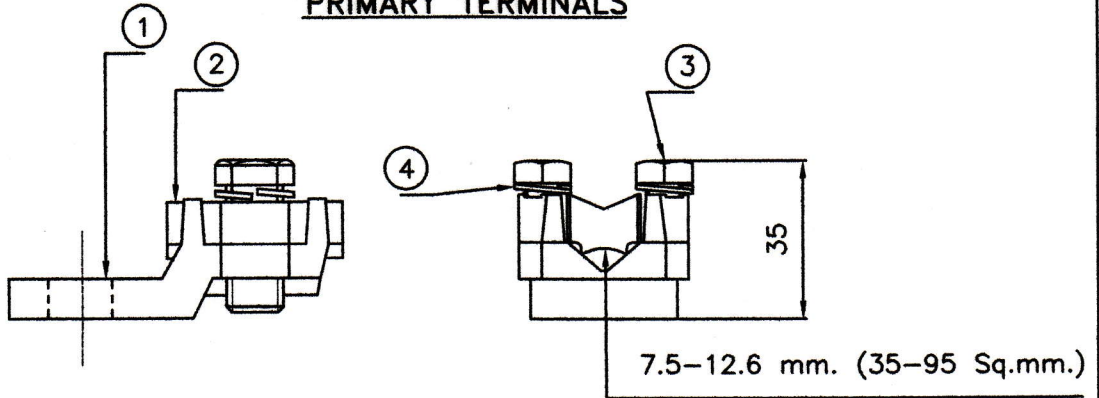
THIS DOCUMENT REMAINS THE EXCLUSIVE PROPERTY OF THE PRECISE ELECTRIC MANUFACTURING CO., LTD. RE-PRODUCTION OR ANY USE NOT IN CONFORMITY WITH INTENDED APPLICATION IS NOT PERMISSIBLE.

UNITS OF MEASURE	
11 -PIECE	24 -t
21 -g	31 -mm
23 -kg	33 -m
	41 -mm ²
	42 -cm ²
	44 -m ²
	52 -cm ³
	53 -dm ³
	54 -m ³
	61 -dl
	62 -l

TYPE OF PARTS	
M -MATERIAL	A -ASSEMBLY
S -STANDARD PART	F -SEMI ASSEMBLY
I -INDIV. PART	D -DOCUMENT

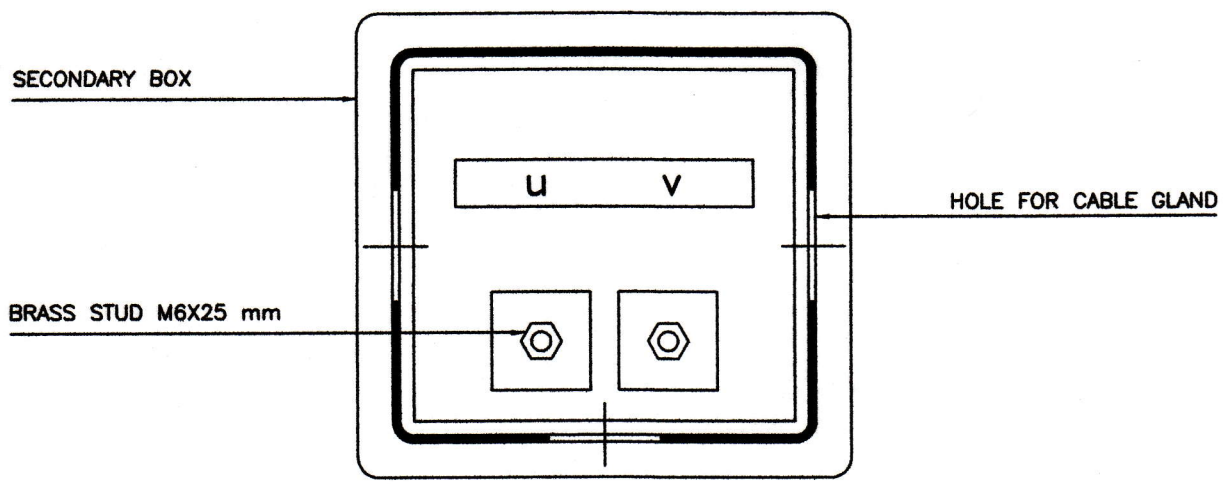
PRIMARY TERMINALS AND SECONDARY TERMINALS

PRIMARY TERMINALS



NO	DESCRIPTION	MATERIAL
1	CONNECTOR	BRONZE AND TIN PLATED
2	CONNECTOR CLAMP	TIN PLATED
3	BOLT M8	STAINLESS
4	SPRING WASHER	STAINLESS

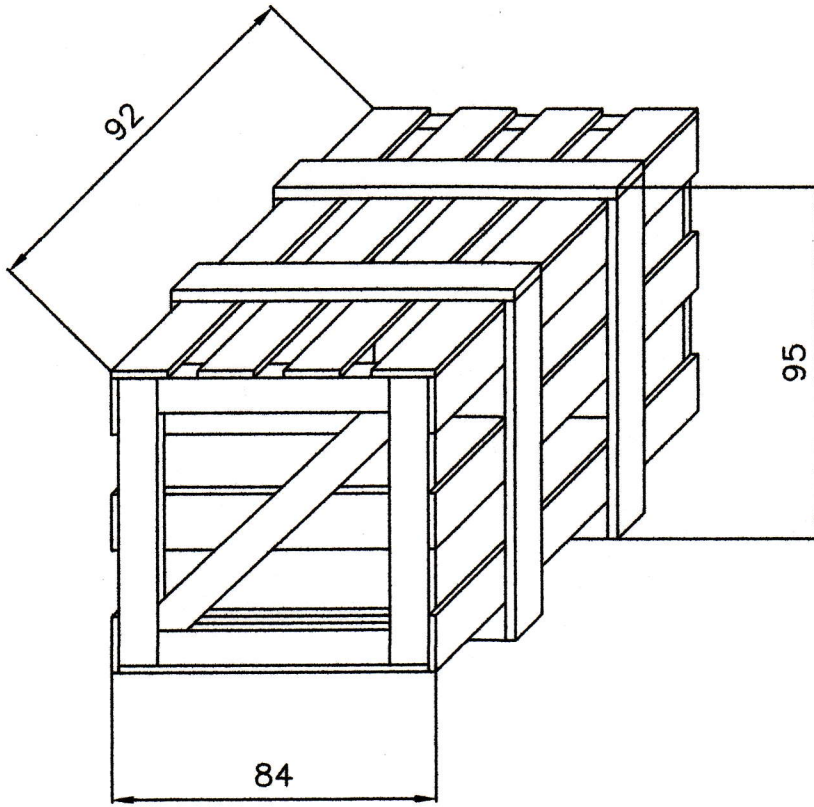
SECONDARY TERMINALS



NO. OF FORM	INSTRUMENT TRANSFORMER OIL TYPE DIVISION		± 10 %	SURFACE KLASIF. OF QUA.		UNITS : mm.	MASS KG/PIECE
			TOLERANCE FOR FREE DIM.			MATERIAL NO. <input type="text"/>	
			DESIGN.	A.SUPACHAI	14-11-01	PRIMARY TERMINALS & SECONDARY TERMINALS	
			CHECK	J.SIRICHAJ	14-11-01		
			APPROVED	J.SIRICHAJ	14-11-01		
		PRECISE ELECTRIC MFG. CO., LTD.		VOL-24/P2		PAGE 1	
1.	0.	14-11-01	SPA	BASIC DWG.		NO. PAGES 1	
ISSUE CHANGE NO. DATE NAME				SUPSTIT. FOR		SUPSTIT. WITH	

THIS DOCUMENT REMAINS THE EXCLUSIVE PROPERTY OF THE PRECISE ELECTRIC MANUFACTURING CO.,LTD. RE- PRODUCTION OR ANY USE NOT IN CONFORMITY WITH INTENDED APPLICATION IS NOT PERMISSIBLE

PACKING DETAIL



UNITS OF MEASURE	
24 -l	41 -mm ²
21 -g	31 -mm
23 -kg	33 -m
11 -PIECE	42 -cm ²
	44 -m ²
	52 -cm ³
	53 -dm ³
	54 -m ³
61 -dl	
62 -l	

TYPE OF PARTS	
M -MATERIAL	A -ASSEMBLY
S -STANDARD PART	F -SEMI ASSEMBLY
I -INDIV. PART	D -DOCUMENT

NOTE
 DIMENSION ARE IN CENTIMETERS
 PACKING METHOD : WOODEN CRATE
 NUMBER OF UNIT IN EACH WOODEN CRATE : 2 UNITS
 OVERALL DIMENSION OF EACH WOODEN CRATE : 84x92x95 (cm³)
 VOLUME OF EACH WOODEN CRATE : 0.74 m³
 GROSS OF EACH WOODEN CRATE (approx.) : 145 kGs.
 NUMBER OF EACH WOODEN CRATE :
 DIMENSION AND WEIGHT TOLERANCE IF NOT SPECIFIED ARE ±10%

INSTRUMENT TRANSFORMER		UNITS : cm.		MASS KG/PIECE	
OIL TYPE DIVISION		TOLERANCE FOR FREE DIM.		MATERIAL NO. <input type="checkbox"/>	
		SURFACE KLASIF. OF QUA.		WOOD EXEMPT YANG-PARA	
NO. OF FORM		NAME	SIGN.	WOODEN CRATE VOLTAGE TRANSFORMER VOL-24	
		DESIGN. B.WERAYUT	25/02/03		
		CHECK A.SUPACHAI	25/02/03		
		STAND.			
		APPROVED J.SIRICHAJ	25/02/03		
		PRECISE PRECISE ELECTRIC MFG. CO., LTD.		PAGE 1.	
1.	0.	25/02/03	WRB	VOL-24/P7	
ISSUE CHANGE NO. DATE NAME BASIC DWG.		SUPSTIT. FOR		SUPSTIT. WITH	
				NO. PAGES 1.	