

TECHNICAL DATA

Type	ANSI 52-1
Standard Applied	ANSI C29.2
Main Dimensions D:	165mm
H:	140mm
Creepage Distance	178mm
Rated M&E Failing Load	44kN
Power frequency dry flashover voltage	60kV
Power frequency wet flashover voltage	30kV
Critical impulse flashover voltage (Positive)	100kV
(Negative)	100kV
Power frequency puncture voltage	80kV
Impact strength	5.0N-m
Radio-Influence Voltage	
Test Voltage to Ground	7.5kV
Maximum RIV, at 1000kHz	50 μV
Visual and Dimensional Inspection According to IEC 383	

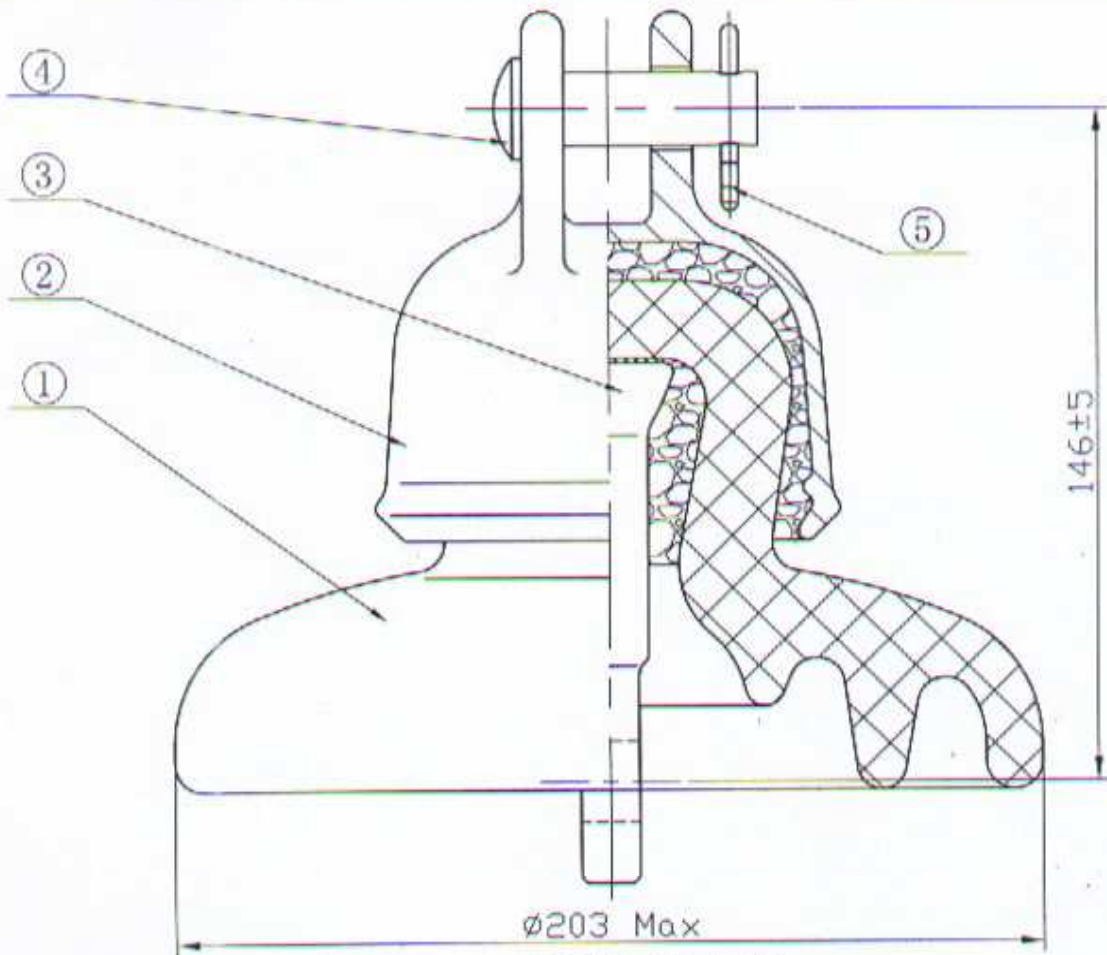
- ***** MATERIAL: (1) PORCELAIN
 (2) MALLEABLE CAST IRON
 (3) STEEL
 (4) STAINLESS STEEL
 (5) STEEL

MANUFACTURER: FUJIAN HOSHING PROSPER ELECTRICAL PORCELAIN Co., LTD.

DESIGN	姚瑞灿	DRAWING	3CY2.806.000
CHECK	林庄	REVISION	Mar. 29, 2002
ISSUED	王少康		



CAP AND PIN TYPE SUSPENSION
 INSULATORS
 ANSI 52-1



TECHNICAL DATA

Type	ANSI 52-2
Standard Applied	ANSI C29.2
Main Dimensions D:	203mm
H:	146mm
Creepage Distance	210mm
Dry arcing distance	140mm
Rated M&E Failing Load	67kN
Power frequency dry flashover voltage	65kV
Power frequency wet flashover voltage	35kV
Critical impulse flashover voltage(Positive)	115kV
(Negative)	115kV
Low frequency puncture voltage	90kV
Impact strength	5.5N · m
Radio influence voltage	
Test voltage to ground	7.5kV
Maximum RIV, at 1000kHz	50 μ V

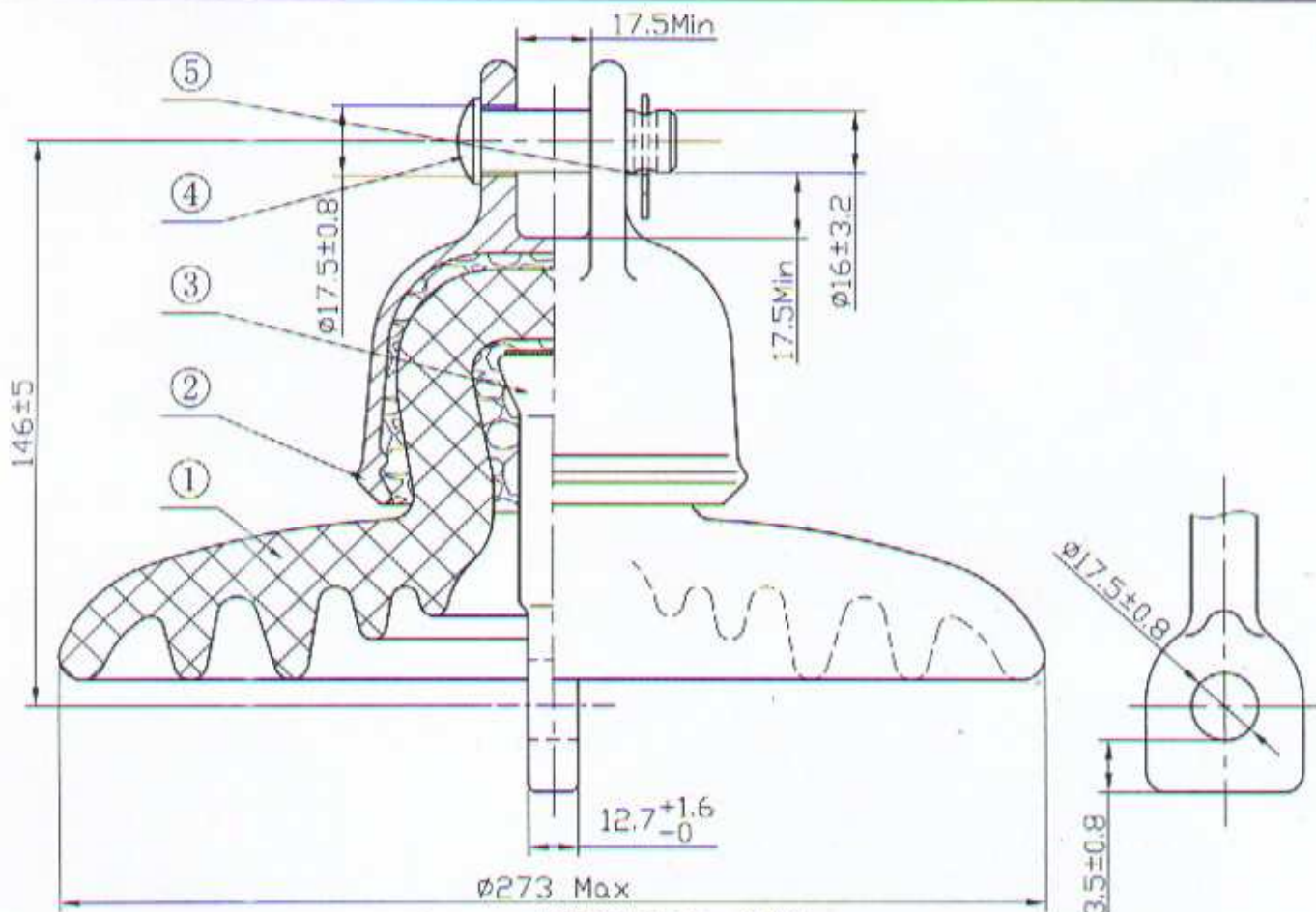
***** MATERIAL: (1) PORCELAIN
 (2) MALLEABLE CAST IRON
 (3) STEEL
 (4) STEEL
 (5) STAINLESS STEEL

MANUFACTURER: FUJIAN HOSHING PROSPER ELECTRICAL PORCELAIN Co.; LTD.

DESIGN	陈其松	DRAWING	3CY2.806.040
CHECK	黄建淦	REVISION	May. 04, 2008
ISSUED	王少康		



CAP AND PIN TYPE
 SUSPENSION INSULATORS
 ANSI 52-2



TECHNICAL DATA

Type	ANSI 52-4
Standard Applied	ANSI C29.2
Main Dimensions	D: 273mm
	H: 146mm
Creepage Distance	292mm
Rated M&E Failing Load	70kN
Power frequency dry flashover voltage	80kV
Power frequency wet flashover voltage	50kV
Critical impulse flashover voltage(Positive)	125kV
(Negative)	130kV
Power frequency puncture voltage	110kV
Impact strength	6. 0N · m
Radio-Influence Voltage	
Test Voltage to Ground	10kV
Maximum RIV, at 1000kHz	50 μ V
Visual Inspection According to IEC 383-1. Dimensional Inspection	
According to IEC383-1 if not Provided for in ANSI Standards.	

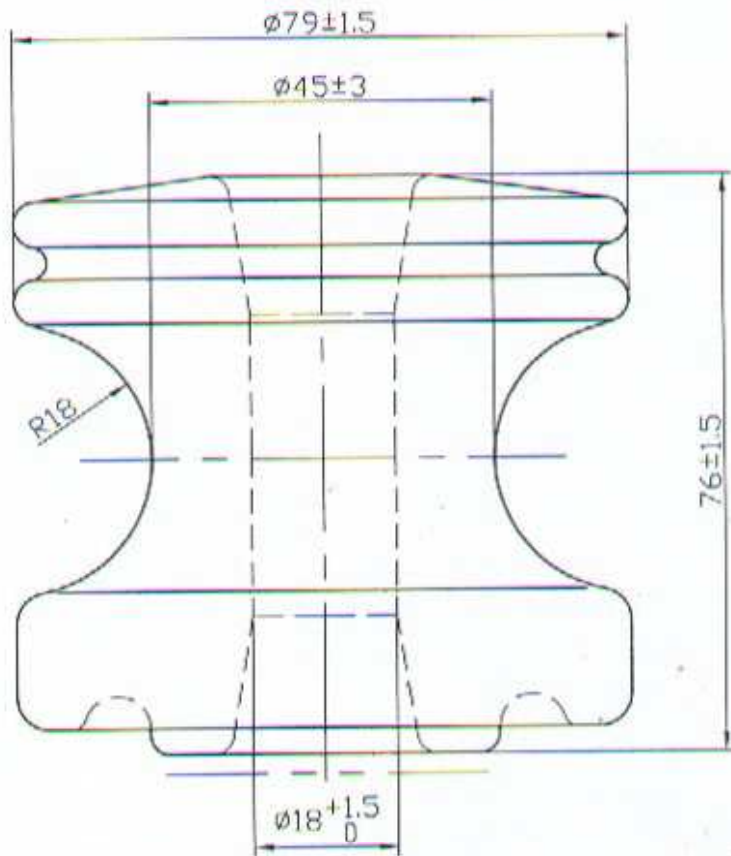
***** MATERIAL: (1)PORCELATN
 (2)MALLEABLE CAST IRON
 (3)STEEL
 (4)STEEL
 (5)STAINLESS STEEL

MANUFACTURER: FUJIAN HOSHING PROSPER ELECTRICAL PORCELAIN Co., LTD.

DESIGN	姚瑞灿	DRAWING	3CY2.806.012
CHECK	林庄	REVISION	Jun. 08, 2002
ISSUED	王少康		



CAP AND PIN TYPE
 SUSPENION INSULATORS
 ANSI 52-4



TECHNICAL DATA:

Type		ANSI 53-2
Standards Applied		ANSI C29.3
Main dimensions	D:	79mm
	H:	76mm
	d:	45mm
	R:	18mm
	d1:	18mm
Leakage distance		72mm
Mechanical failing load		13.3kN
Low frequency Dry flashover voltage		25kV
Low frequency Wet flashover voltage	(Vertical)	12kV
	(Horizontal)	15kV
Weight		0.5kg

*****MATERIAL:PORCELAIN

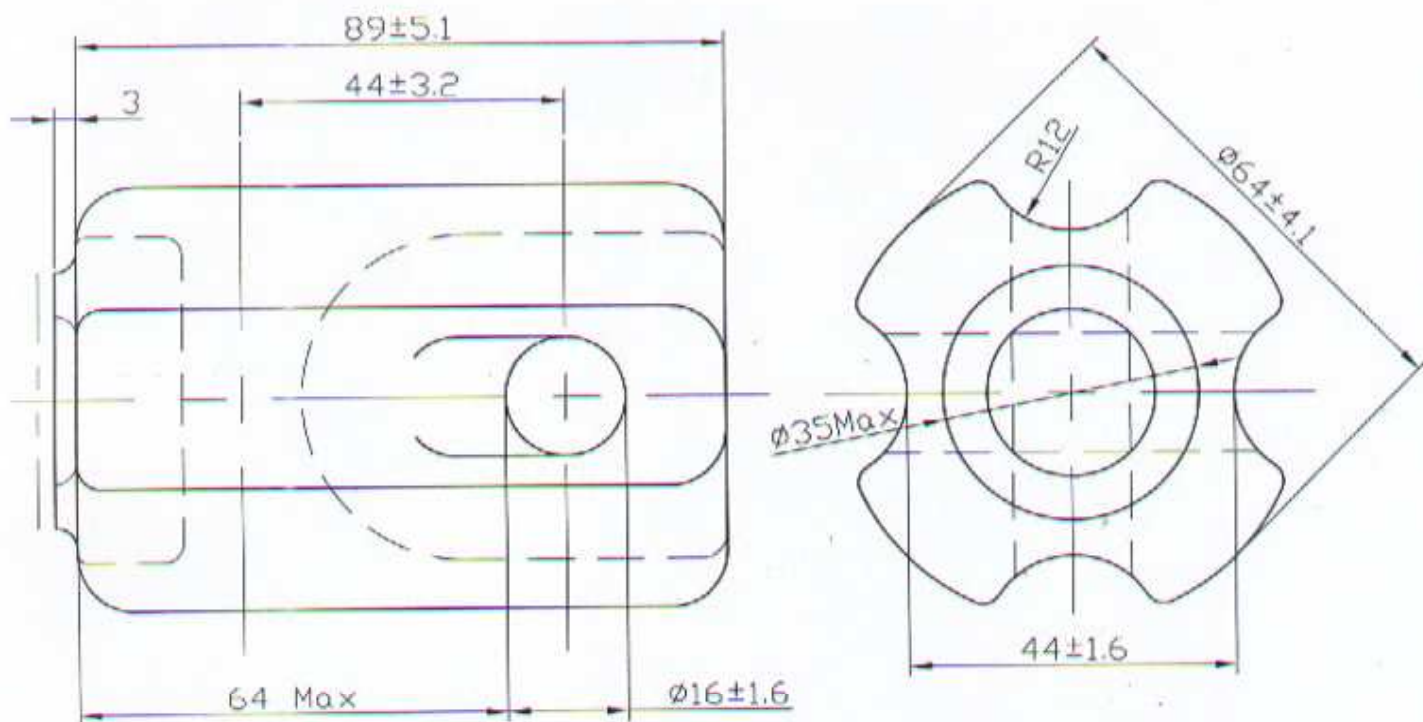
Visual and Dimensional Inspection According to IEC 383

MANUFACTURER: FUJIAN HOSHING PROSPER ELECTRICAL PORCELAIN Co., LTD.

DESIGN	黄兆镗	DRAWING	CY2.828.002
CHECK	林庄	REVISION	JUN. 23, 2002
ISSUED	王少康		



SPOOL INSULATORS
ANSI 53-2



TECHNICAL DATA

Type	ANSI 54-1
Standard Applied	ANSI C29.4
Main Dimensions	
D:	64mm
H:	89mm
Creepage Distance	41mm
Mechanical Failing Load	44kN
Low Frequency Dry Flashover Voltage	25kV
Low Frequency Wet Flashover Voltage	12kV
Visual Inspection According to IEC 383-1	

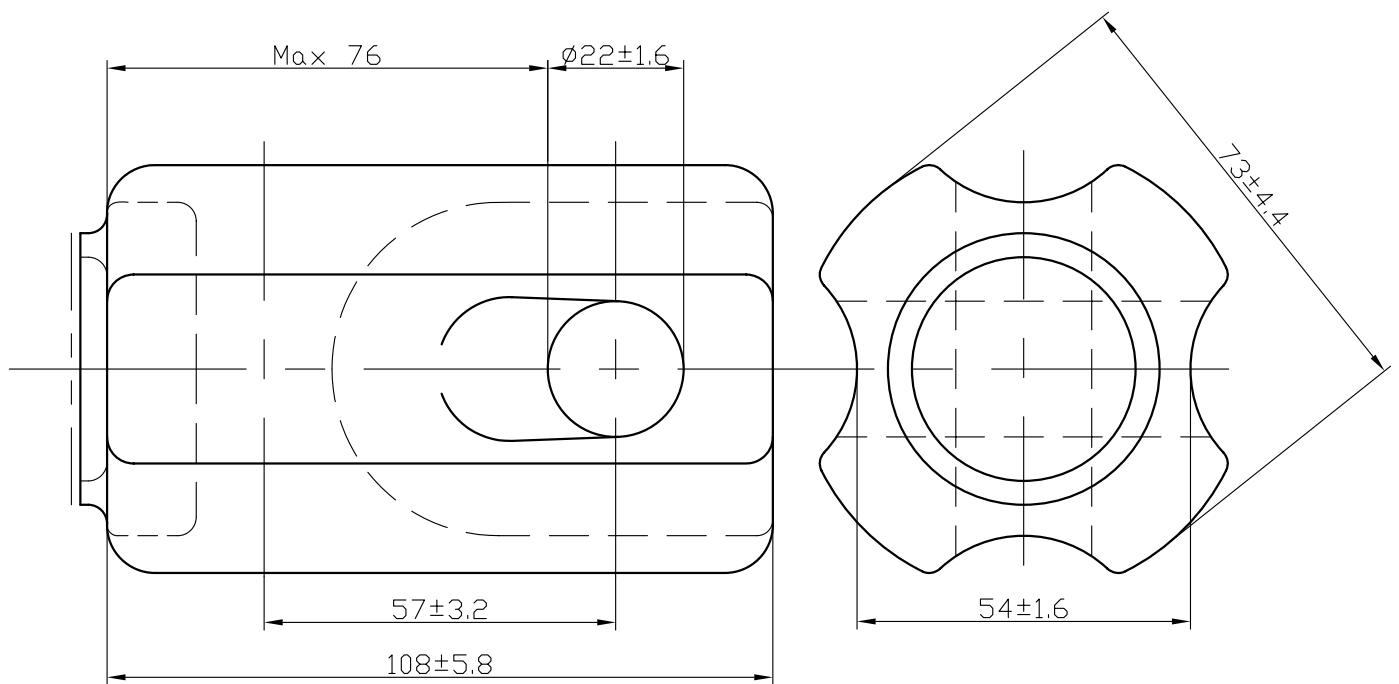
***** MATERIAL: PORCELAIN

MANUFACTURER: FUJIAN HOSHING PROSPER ELECTRICAL PORCELAIN Co., LTD.

DESIGN	陈其松	DRAWING	CY2.817.001
CHECK		REVISION	Jun, 20, 2002
ISSUED	王少康		



STAIN TYPE INSULATORS
ANSI 54-1



TECHNICAL DATA

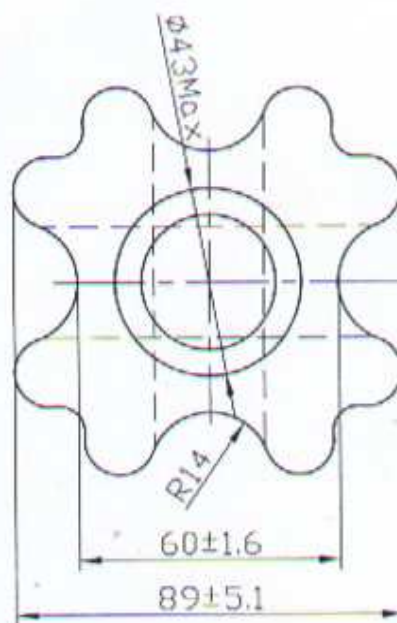
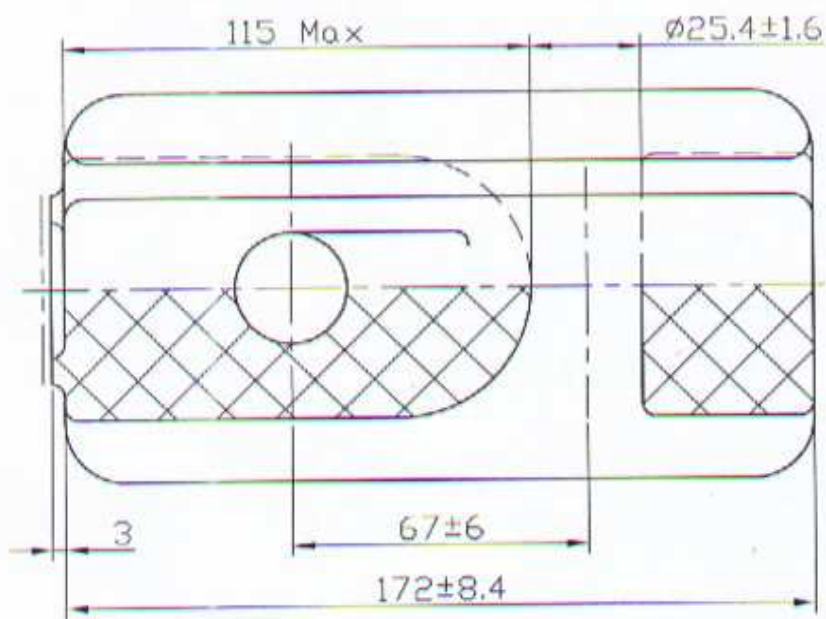
Type	ANSI 54-2
Standard Applied	ANSI C29.4
Main Dimensions	
D:	73mm
H:	108mm
Creepage Distance	48mm
Mechanical Failing Load	53kN
Low Frequency Dry Flashover Voltage	30kV
Low Frequency Wet Flashover Voltage	15kV
Visual and Dimensional Inspection According to IEC 383	

***** MATERIAL: PORCELAIN

MANUFACTURER: FUJIAN HOSHING PROSPER ELECTRICAL PORCELAIN Co., LTD.

DESIGN	姚瑞灿	DRAWING	CY2.817.002
CHECK	林庄	REVISION	Apr, 21, 2002
ISSUED	王少康		

STAIN TYPE INSULATORS
ANSI 54-2



TECHNICAL DATA

Type	ANSI 54-4
Standard Applied	ANSI C29.4
Main Dimensions	
D:	89mm
H:	172mm
Creepage Distance	76mm
Mechanical Failing Load	89kN
Low Frequency Dry Flashover Voltage	40kV
Low Frequency Wet Flashover Voltage	23kV
Visual Inspection According to IEC 383-1	

***** MATERIAL: PORCELAIN

MANUFACTURER: FUJIAN HOSHING PROSPER ELECTRICAL PORCELAIN Co., LTD.

DESIGN	陈其松	DRAWING	CY2.817.004
CHECK		REVISION	Apr, 21, 2002
ISSUED	王少康		



STAY TYPE INSULATORS
ANSI 54-4



副本

QUALITY MANAGEMENT SYSTEM CERTIFICATE

Certificate No.: 00110Q210935R2M/3500

We hereby certify that
Fujian Hoshing Prosper Electrical Porcelain Co.,Ltd.

Tankou Industrial Area, Yunlong Village, Mingqing County, Fujian Province, P.R.China.

by reason of its
Quality Management System
has been awarded this certificate for compliance with the standard

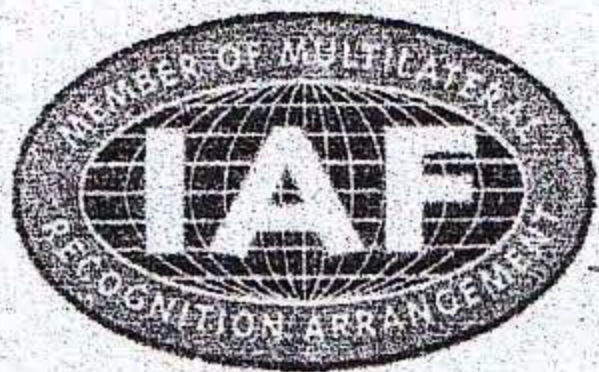
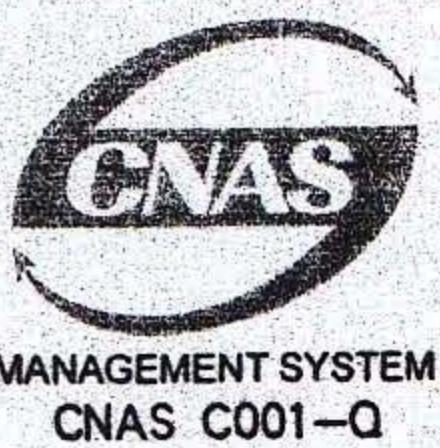
ISO9001: 2008

GB/T 19001-2008

The Quality Management System Applies in the following area:
Design, Development and Production of Porcelain Insulators for High and Low Voltage Lines

Certified since: Oct. 27, 2004 Valid from: Nov. 11, 2010 Valid until: Nov. 10, 2013

After a surveillance cycle, the certificate is valid only when used together with an Acceptance Notice of Surveillance Audit issued by CQC.
Please access www.cqc.com.cn for checking validity of the certificate.



Signed by: Wang Kejiao



CHINA QUALITY CERTIFICATION CENTRE

Section 9, No.188, Nansihuan(the South Fourth Ring Road) Xilu(West Road), Beijing 100070,China

<http://www.cqc.com.cn>

Q 0039514

2009年版