



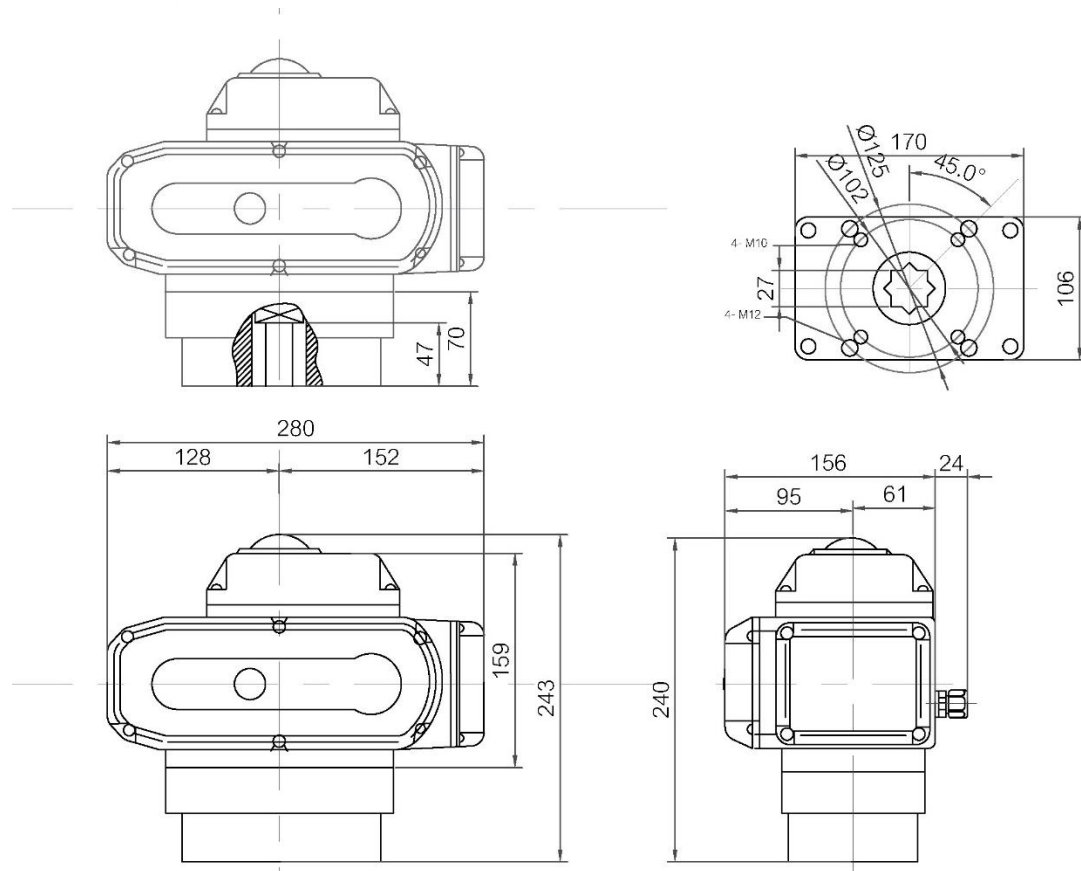
KL-100/200 แรงบิด

1,000/2,000 นิวตัน-เมตร

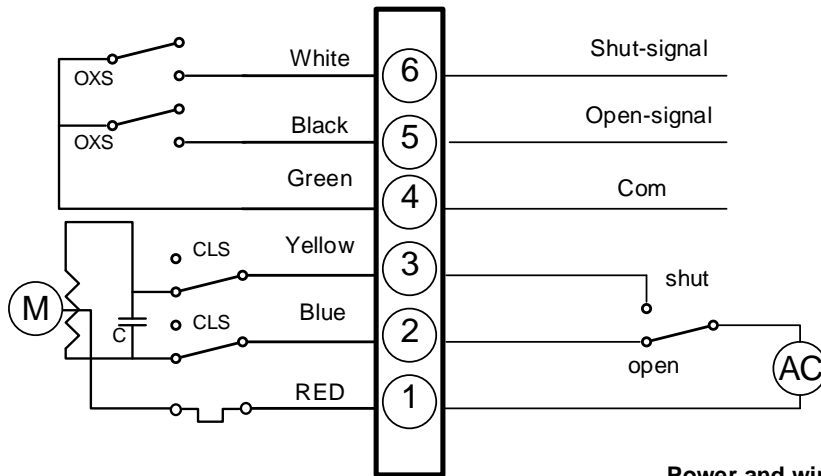
มอเตอร์ขับเคลื่อนวาล์วไฟฟ้า หรือหัวขับเคลื่อนวาล์วไฟฟ้า ออกแบบมาสำหรับนำไปประกอบกับวาล์วในระบบท่อ เช่นนำไปติดตั้งร่วมกับวาล์วประเภท Quarter turn valve หรือวาล์วที่หมุน ¼ รอบ เช่น Butterfly Valve, Ball Valve

KL-100/200 Performance Parameter

Model	KL-100				KL-200			
	AC24	AC110	AC220	AC380	AC24	AC110	AC220	AC380
Motor Power(W)	100				100			
Rated Current(A)	9	2.2	1.2	0.48	9	2.2	1.2	0.48
Output Torque(Nm)	800/1,000 นิวตัน/เมตร				2,000 นิวตัน/เมตร			
Motion Time (S)	30/50				100			
Circuit Control	S,D,A							
Rotary Angle (°)	หมุนทำมุม 0-90° (1 ใน 4 ของวงกลม)							
Weight(kg)	11.2				11.8			
Voltage Resistance	AC110V/AC220V:1500VAC, AC380V:1800VAC(Minute)							
Insulation	100MD/500VDC							
Protection Class	IP-68							
Ambient Temp.	-30°C - +60°C							
Installation Angle	360-Degree Optional Direction							
Case Body Material	Die-Casting Aluminum Alloy							
Optional Function	I. Over Torque Protectors II. Dehumidify Heater							

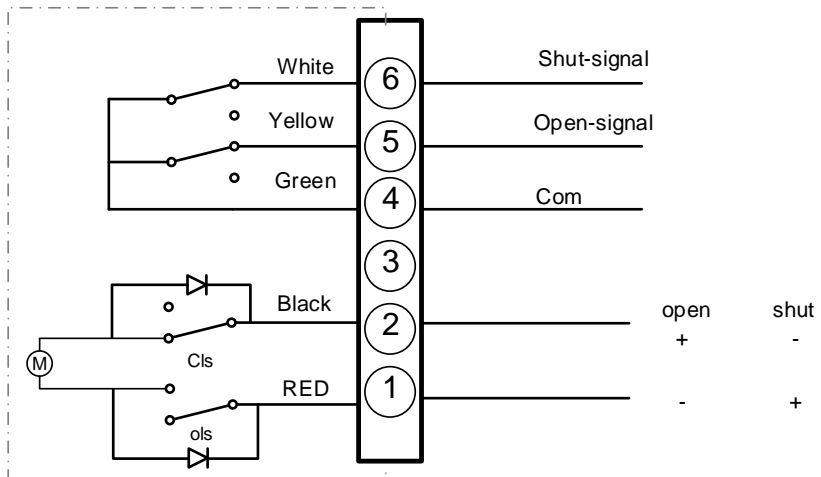
Dimension KL100/200

S : Type 220 VAC



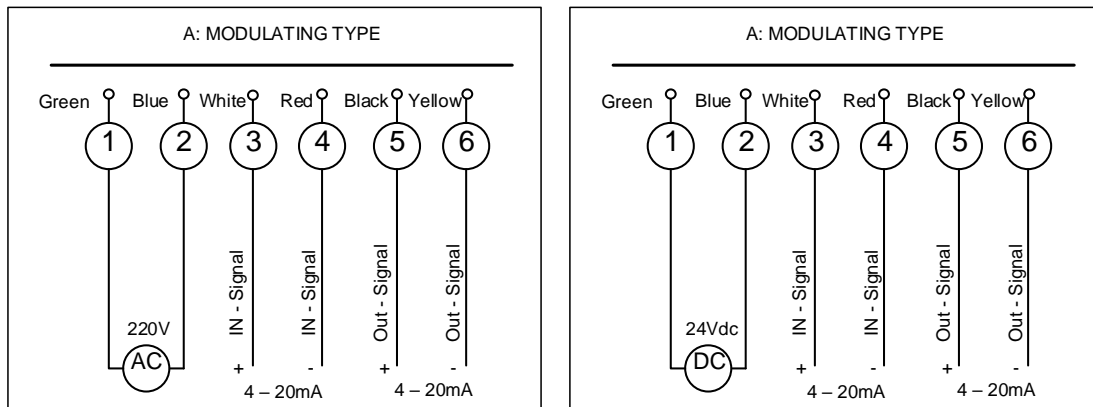
Power and wiring drawing 220VAC

D : Type 24 VDC



Power and wiring drawing DC24V

A : Type Supply 24VDC / 220VAC 4-20mA



A: MODULATING TYPE 4-20mA Control

Product Introduction

The Electric Actuator is distinguished by its special design, beautiful appearance, great performance and long-time operation. The rotary valve electric actuator will win customers' hearts by its supreme performance.

Powerful function: Modulating, proportional, on-off, and various output signally

Small Size: 35% smaller than other of the same kind;

Lightweight: 35% lighter than other of the same kind:

Beautiful Appearance: Die-casting aluminum alloy cover can prevent disturbance of electromagnetic;

Precision and Wear-resistance: Integration of worm wheel and output axle avoids the separation among keys and the forged brass alloy material is featured by high strength and good wear-resistance;

Safety Guarantee: Tested by AC 1500V and can withstand it; F-grade insulation motor guarantees safe operation;

Easy to Form Complete Set: 110 v, 220V, 380V alternate current and direct current are all available for simple connection;

Easy Application: No oil or point inspection is needed; waterproof, antirust and optional installation angle;

Protection Appliance: Double limits, over-hot protection, Overload protection;

Various Motion Time: 9s, 13s, 15s, 30s, 50s, 100s (Set Before Delivery);

Antirust and Anti-corrosion: Whole machine support, coupler and screws are made of stainless steel;

Intelligent Numerical Control: Intelligently control module is built in the actuator body so that there is no need to mount positioner. Digit setting and adjusting, highly accusation and self-diagnosis can be realized.