



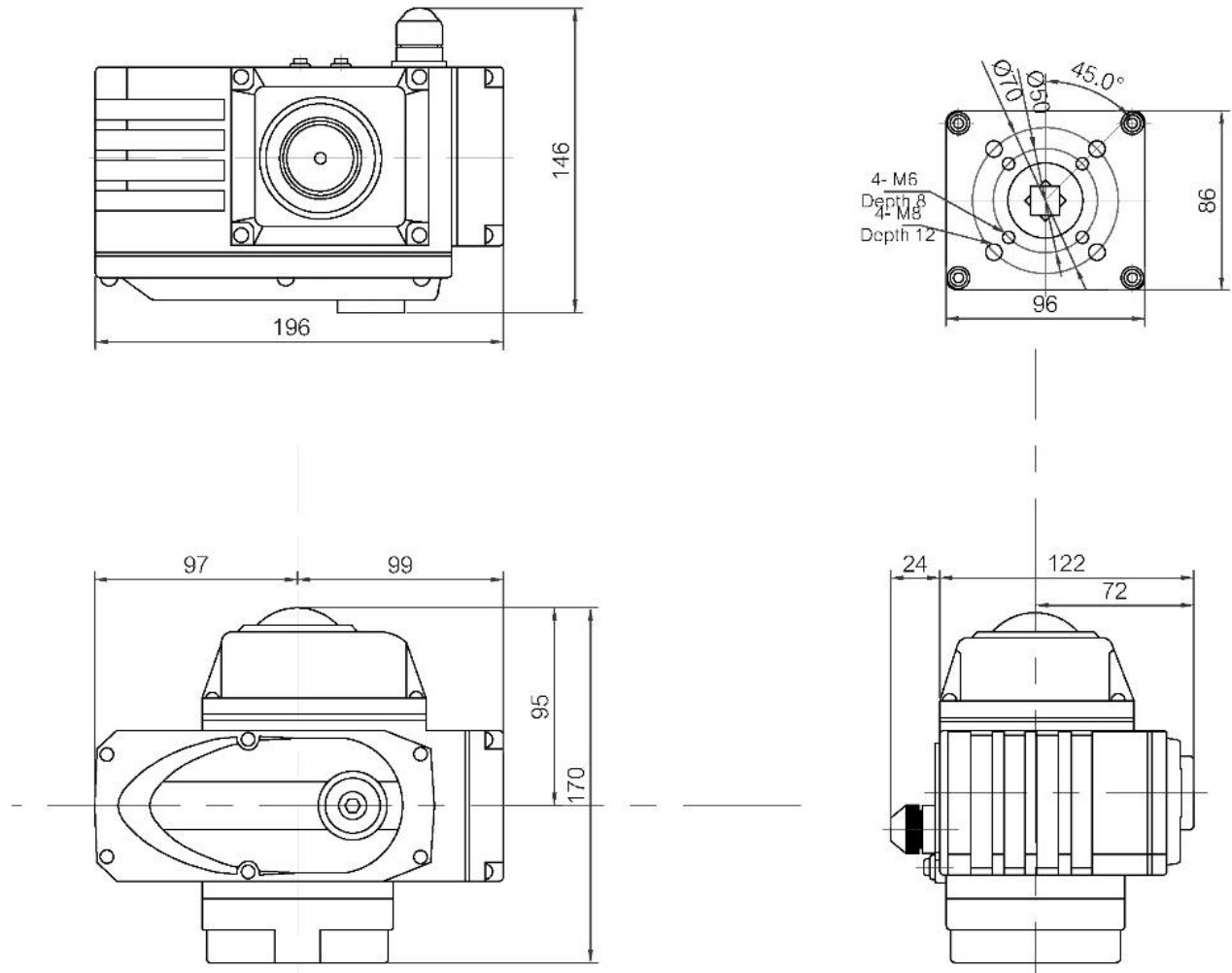
หัวขับเคลื่อนไฟฟ้ารุ่น **KL-10**

แรงบิด 100 นิวตัน-เมตร

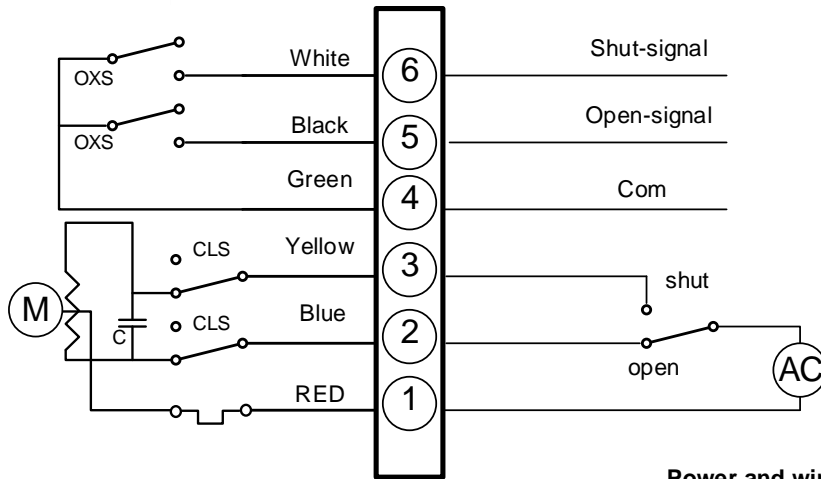
มอเตอร์ขับเคลื่อนไฟฟ้า หรือหัวขับเคลื่อนไฟฟ้า ออกแบบมา
สำหรับนำไปประกอบกับวาล์วในระบบท่อ เช่นนำไปติดตั้งร่วมกับ
วาล์วประเภท Quarter turn valve หรือวาล์วที่หมุน ¼ รอบ
เช่น Butterfly Valve, Ball Valve

KL-10 Performance Parameter

Model	KL-10				
Power Supply(V)	DC24	AC24	AC110	AC220	AC380
Output Torque(Nm)	100 นิวตัน/เมตร				
Motion Time(S)	10	30			
Rotary Angle (°)	หมุนทำมุม 0-90° (1 ใน 4 ของวงกลม)				
Motor Power(W)	20	25			
Rated Current(A)	0.85	3	0.7	3.2	0.2
Weight(kg)	4	4.3			
Insulation Resistance (MQ)	DC24V: 100/250VDC AC110/220V/380V: 100/500VDC				
Voltage Resistance	DC24V: 500VAC, AC110/220V: 1500VAC, AC380V: 1800VAC.(1Min.)				
Protection Level	IP68				
Installation Position	360-Degree Optional Direction				
Electrode connection	M1815 Water-proof Cable Connector, Electric Power Wire, Signal Wire				
Ambient Temp.	-30°C - +60°C				
Circuit Control	S,D,A				
Optional Function	I. Over Torque Protectors II. Dehumidify Heater				

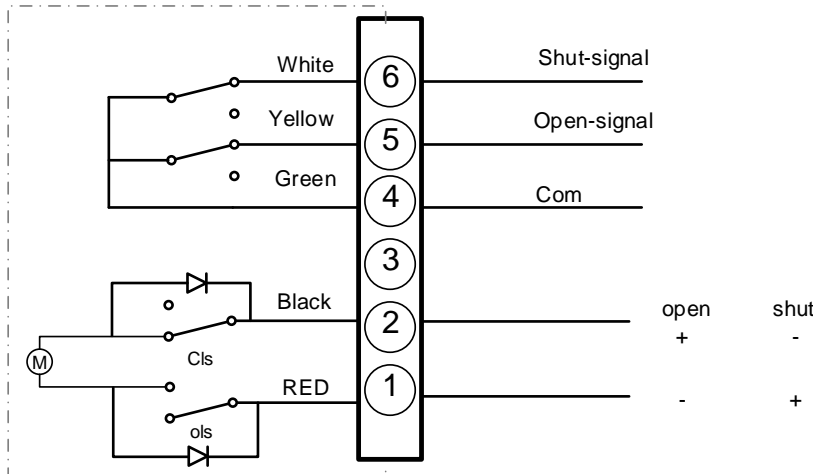
Dimension KL10

S : Type 220 VAC



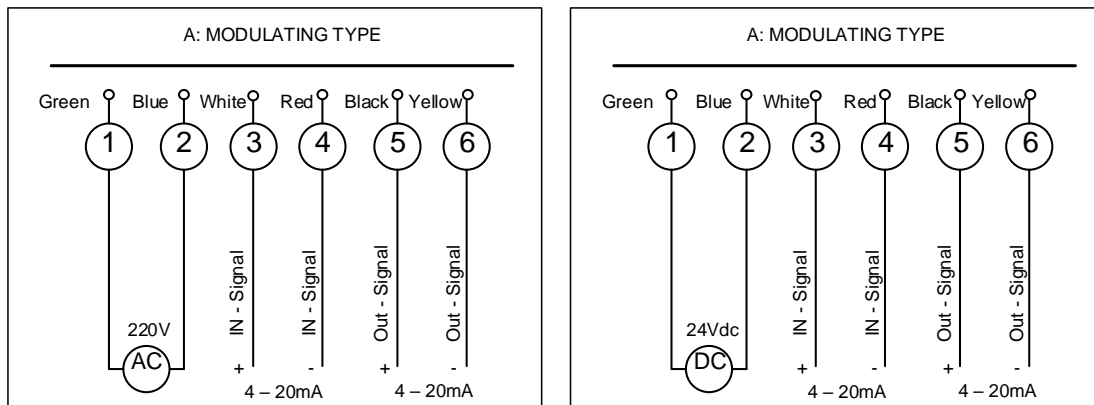
Power and wiring drawing 220VAC

D : Type 24 VDC



Power and wiring drawing DC24V

A : Type Supply 24VDC / 220VAC 4-20mA



A: MODULATING TYPE 4-20mA Control

Product Introduction

The Electric Actuator is distinguished by its special design, beautiful appearance, great performance and long-time operation. The rotary valve electric actuator will win customers' hearts by its supreme performance.

Powerful function: Modulating, proportional, on-off, and various output signally

Small Size: 35% smaller than other of the same kind;

Lightweight: 35% lighter than other of the same kind:

Beautiful Appearance: Die-casting aluminum alloy cover can prevent disturbance of electromagnetic;

Precision and Wear-resistance: Integration of worm wheel and output axle avoids the separation among keys and the forged brass alloy material is featured by high strength and good wear-resistance;

Safety Guarantee: Tested by AC 1500V and can withstand it; F-grade insulation motor guarantees safe operation;

Easy to Form Complete Set: 110 v, 220V, 380V alternate current and direct current are all available for simple connection;

Easy Application: No oil or point inspection is needed; waterproof, antirust and optional installation angle;

Protection Appliance: Double limits, over-hot protection, Over load protection;

Various Motion Time: 9s, 13s, 15s, 30s, 50s, 100s (Set Before Delivery);

Antirust and Anti-corrosion: Whole machine support, coupler and screws are made of stainless steel;

Intelligent Numerical Control: Intelligently control module is built in the actuator body so that there is no need to mount positioner. Digit setting and adjusting, highly accusation and self-diagnosis can be realized.