

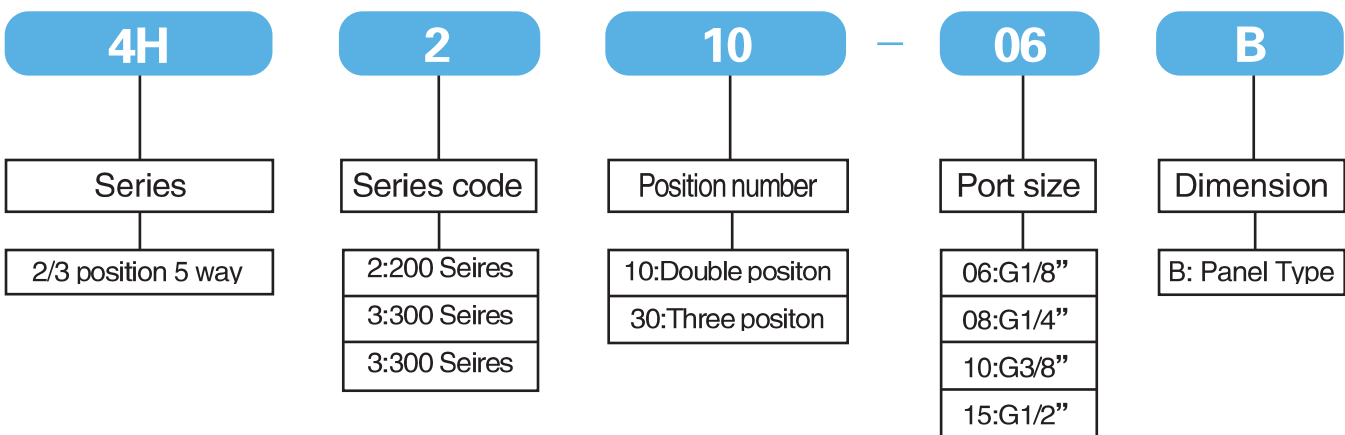
Hand Valve



Specification:

Type	4H210-06	4H210-08	4H230-08	4H310-08	4H310-10	4H330-10	4H410-15	4H430-15
Fluid	Air (Filtered, 40um)							
Acting type	Directly							
Effective sectional area	14mm ² (CV=0.78)	16mm ² (CV=0.89)	12mm ² (CV=0.67)	25mm ² (CV=1.40)	30mm ² (CV=1.68)	18mm ² (CV=1.00)	50mm ² (CV=2.79)	30mm ² (CV=1.68)
Port size	input=output=exhausted =G1/8"	input=output=G1/4" exhausted=G1/8"		input=output=exhausted =G1/4"	input=output=G3/8" exhausted=G1/4"		input=output=exhausted =G1/2"	
Operating pressure range	0~0.8MPa							
Ambient temperature	0~60°C							

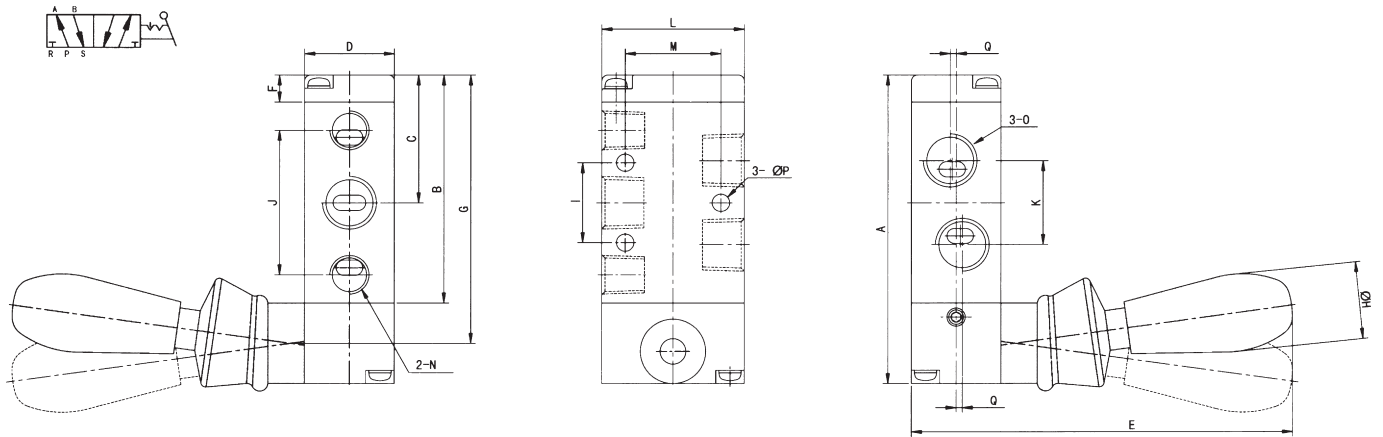
How to order:



Hand Valve

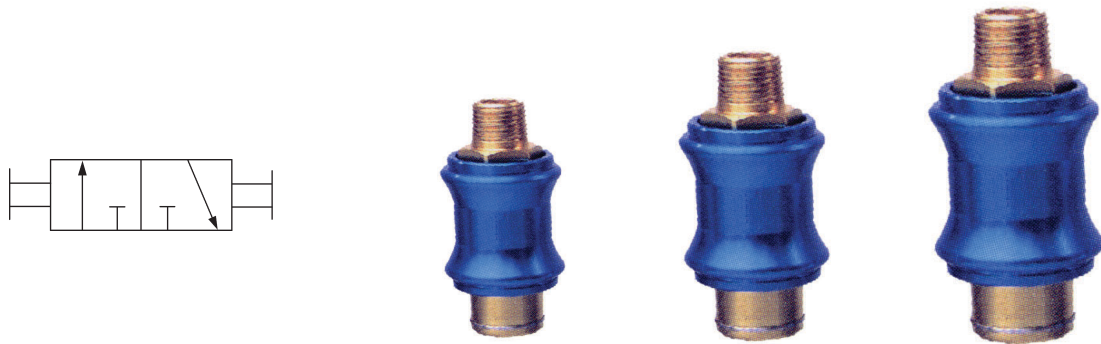
Dimension(mm):

4H



Type	4H210-08(06)	4H230-08(06) (Auto-restoration)	4H310-10(08)	4H330-10(08) (Auto-restoration)	4H410-15	4H430-15 (Auto-restoration)
A	76	95	96	115	126	147
B	56.5	75.5	72	91	102	123
C	31.5	31.5	40	60	55.5	76.5
D	22	22	27	27	34	34
E	95	95	100	100	110	110
F	6.5	6.5	7.5	7.5	7.5	7.5
G	66.5	85.5	84	103	114	135
H	18	18	18	18	18	18
I	20	20	24	24	28	28
J	36	36	45	45	63	63
K	21	21	24	24	36	36
L	35	35	40	40	50	50
M	21	21	27	27	35	35
N	G1/8	G1/8	G3/8	G3/8	G1/2	G1/2
O	G1/4(G1/8)	G1/4(G1/8)	G3/8(G1/4)	G3/8(G1/4)	G1/2	G1/2
P	4.3	4.3	4.3	4.3	5.5	5.5
Q	1.5(-)	1.5(-)	2(-)	2(-)	-	-

Hand Valve

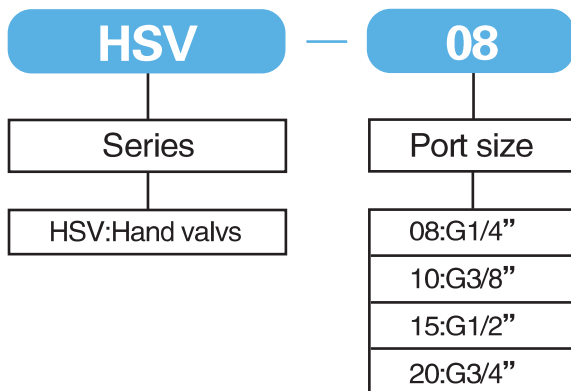


Specification:

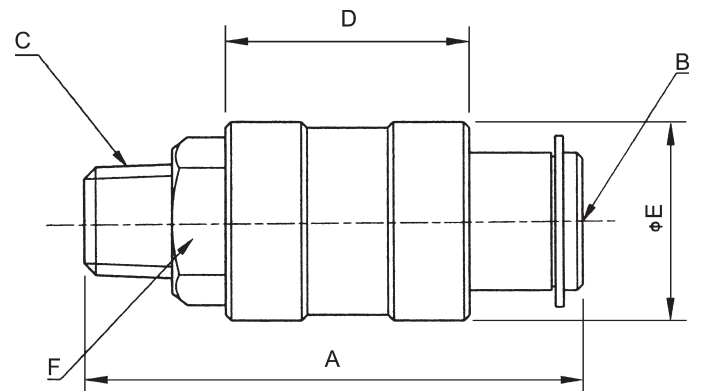
Type	HSV-08	HSV-10	HSV-15	HSV-20
Port size G	1/4"	3/8"	1/2"	3/4"
Fluid	Air			
Operation pressure MPa	0~1.0			
Ambient temperature	5~60°C			

Remarks: Both of the BSP.NPT of the port thread is possible.

How to order:



Dimensions(mm):



Type	A	B	C	D	E	F
HSV-08	58	G1/4"	G1/4"	32	26	19
HSV-10	57	G3/8"	G3/8"	32	31	22
HSV-15	91	G1/2"	G1/2"	49	38.5	27
HSV-20	91	G3/4"	G3/4"	49	42	35

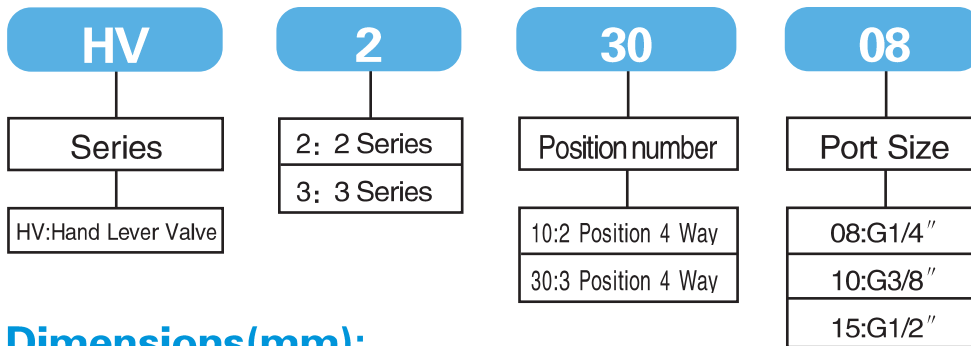
Hand Lever Valve

Specifications:

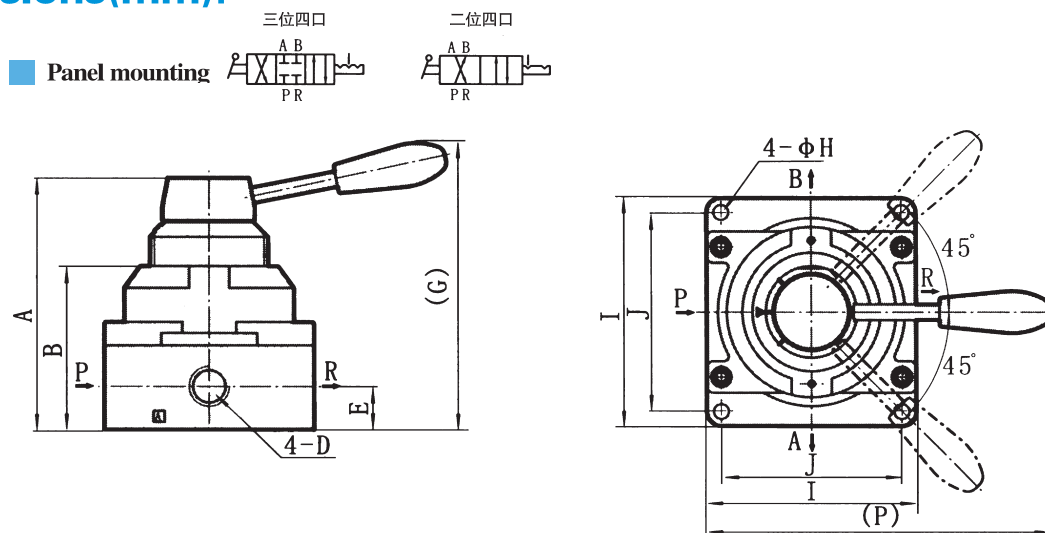
Type	HV2□□-08	HV3□□-08	HV3□□-10	HV3□□-15
Medium	Air			
Position number	2 Position 4 Way/3 Position 4 Way			
Port size(G)	1/4"		3/8"	1/2"
Valid sectional area (Cv Value)	16mm ² (0.89)	30mm ² (1.67)	33mm ² (1.83)	88mm ² (4.89)
Operating temperature(Mpa)	0~1.0			
Proof pressure(MPa)	1.5			
Ambient temperature range	-5~60°C			
Operating angle	90°			



How to order:



Dimensions(mm):



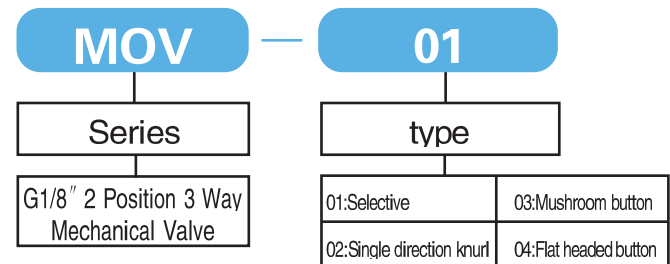
Type	A	B	D	E	G	H	I	J	P
HV2□□-08	72.6	45	G1/4	11.5	92.5	5	62	49	120
HV3□□-08	88.5	56	G1/4	13.5	104	6.6	74	62	140
HV3□□-10	88.5	56	G3/8	13.5	104	6.6	74	62	140
HV3□□-15	88.5	56	G1/2	13.5	104	6.6	74	62	140

Mechanical Valve

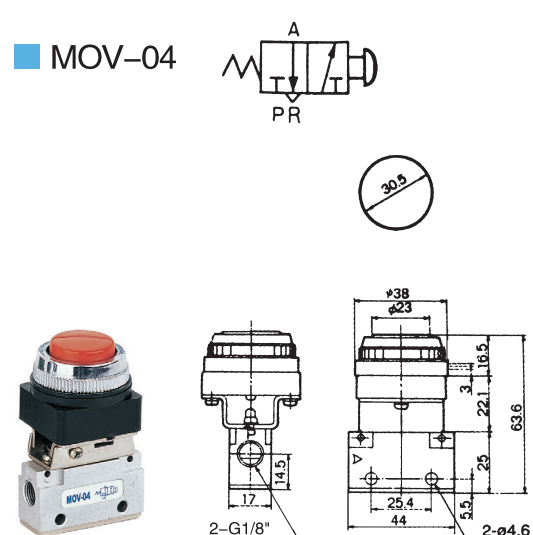
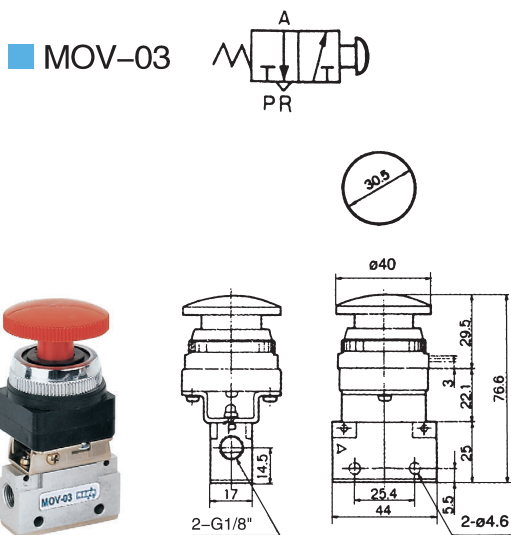
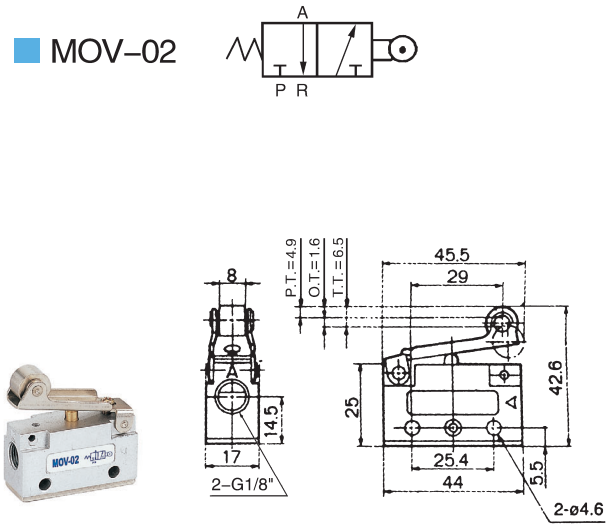
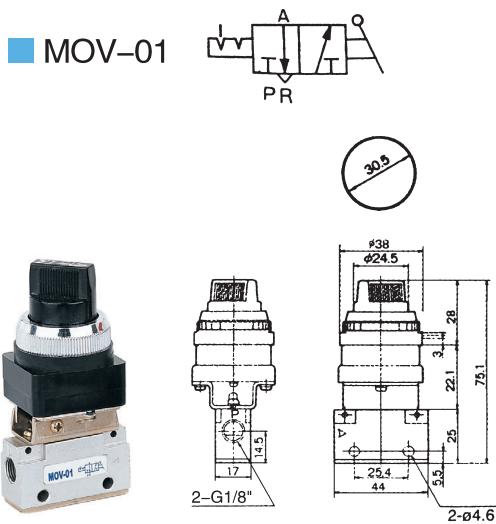
Specifications:

Type	MOV-01, 02, 03, 04
Port size(G)	1/8"
Fluid	Air
Temperature range	0-60°C
Operating temperature(Mpa)	0-1
Valid sectional area(mm ²)	2.5
Lubrication	Not Lubricated

How to order:



Dimensions(mm):

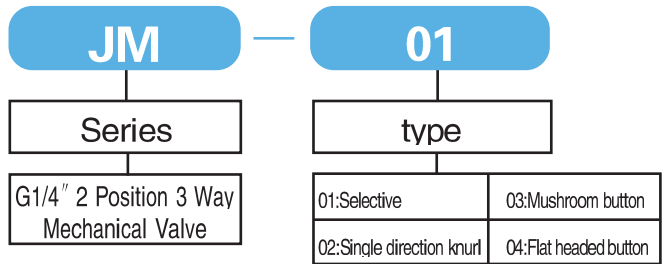


Mechanical Valve

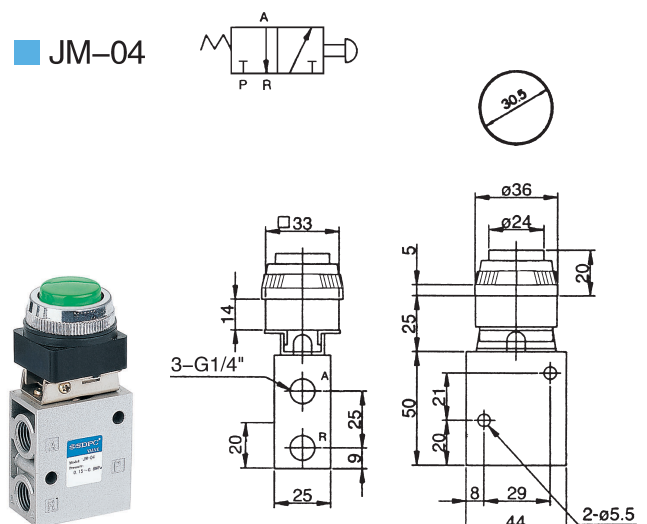
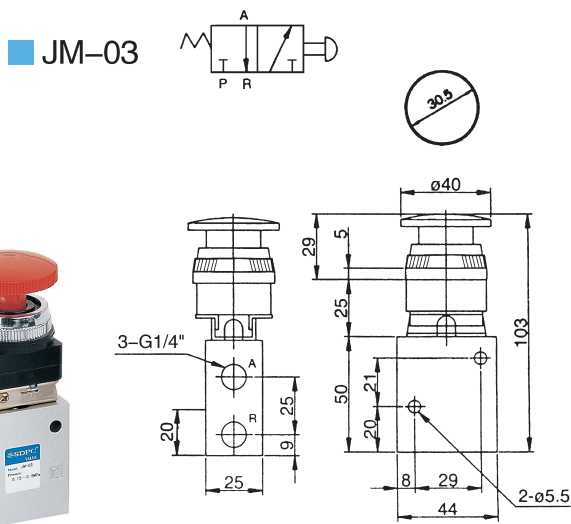
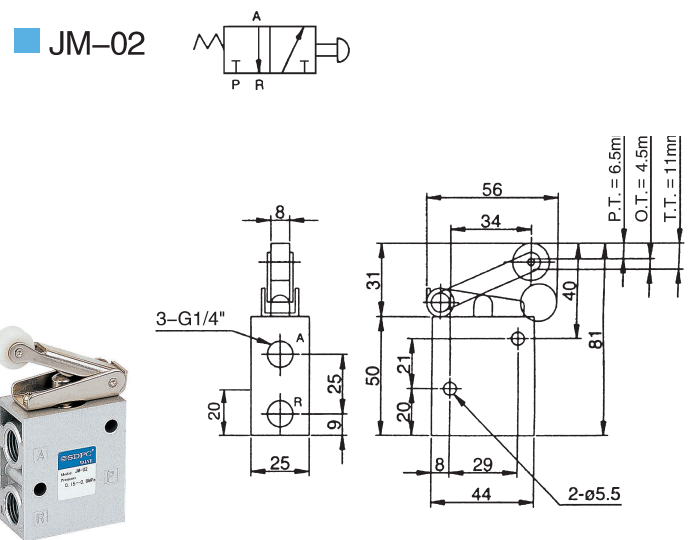
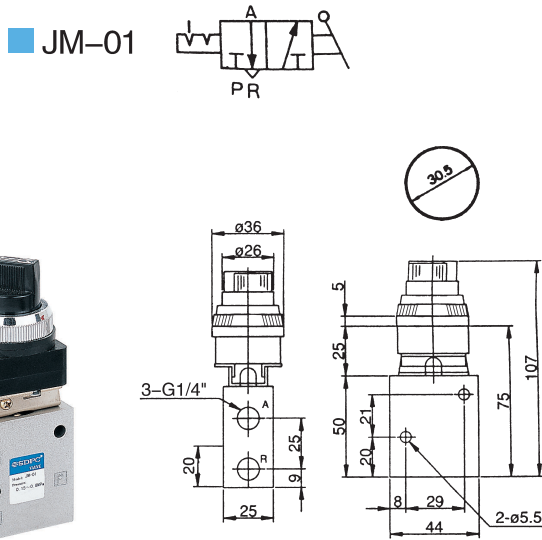
Specifications:

Type	JM-01, 02, 03, 04
Port size(G)	1/4"
Fluid	Air
Temperature range	0-60°C
Operating temperature(Mpa)	0-1
Valid sectional area(mm ²)	2.5
Lubrication	Not Lubricated

How to order:



Dimensions(mm):

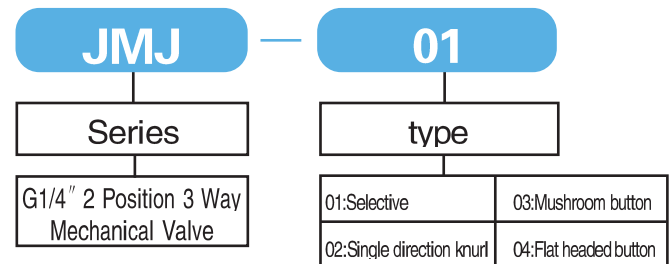


Mechanical Valve

Specifications:

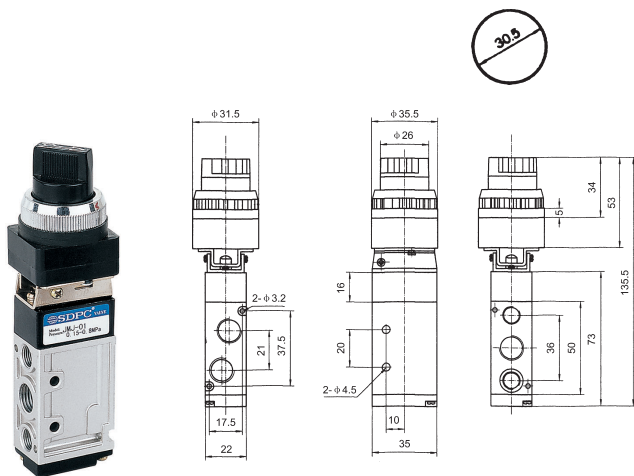
Type	JMJ-01, 02, 03, 04
Port size(G)	1/4"
Fluid	Air
Temperature range	0-60°C
Operating temperature(Mpa)	0-1
Valid sectional area(mm ²)	2.5
Lubrication	Not Lubricated

How to order:

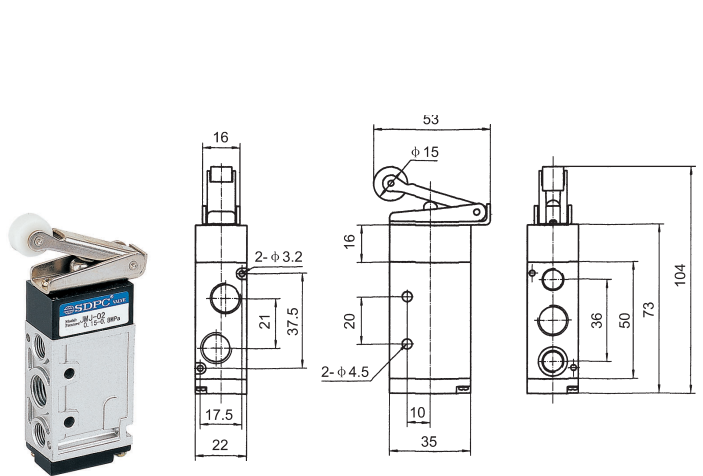


Dimensions(mm):

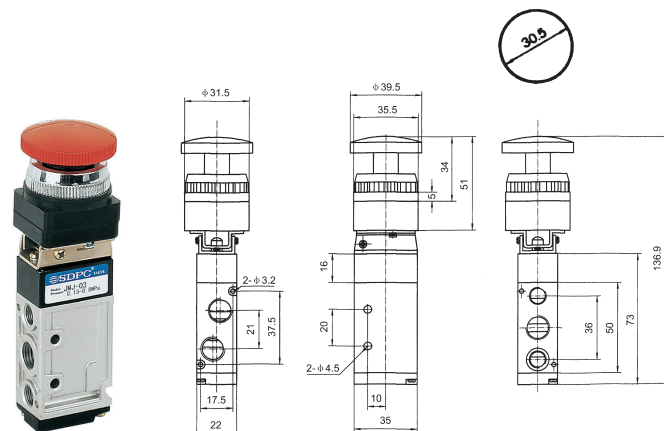
JMJ-01



JMJ-02



JMJ-03



JMJ-04

