

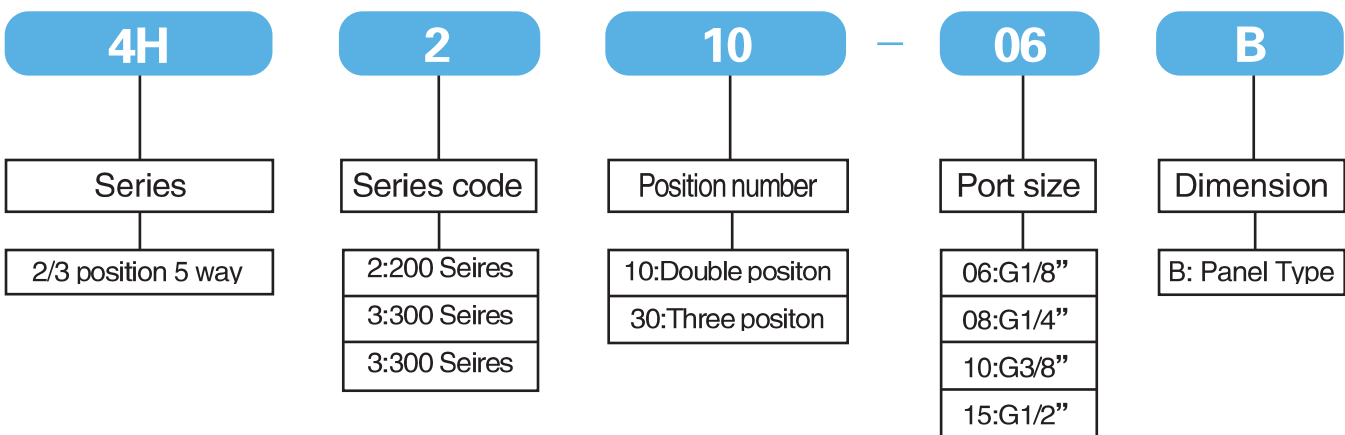
Hand Valve



Specification:

| Type | 4H210-06 | 4H210-08 | 4H230-08 | 4H310-08 | 4H310-10 | 4H330-10 | 4H410-15 | 4H430-15 |
|--------------------------|----------------------------------|---------------------------------------|-----------------------------|----------------------------------|---------------------------------------|-----------------------------|----------------------------------|-----------------------------|
| Fluid | Air (Filtered, 40um) | | | | | | | |
| Acting type | Directly | | | | | | | |
| Effective sectional area | 14mm ² (CV=0.78) | 16mm ² (CV=0.89) | 12mm ² (CV=0.67) | 25mm ² (CV=1.40) | 30mm ² (CV=1.68) | 18mm ² (CV=1.00) | 50mm ² (CV=2.79) | 30mm ² (CV=1.68) |
| Port size | input=output=exhausted =G1/8" | input=output=G1/4" exhausted=G1/8" | | input=output=exhausted =G1/4" | input=output=G3/8" exhausted=G1/4" | | input=output=exhausted =G1/2" | |
| Operating pressure range | 0~0.8MPa | | | | | | | |
| Ambient temperature | 0~60°C | | | | | | | |

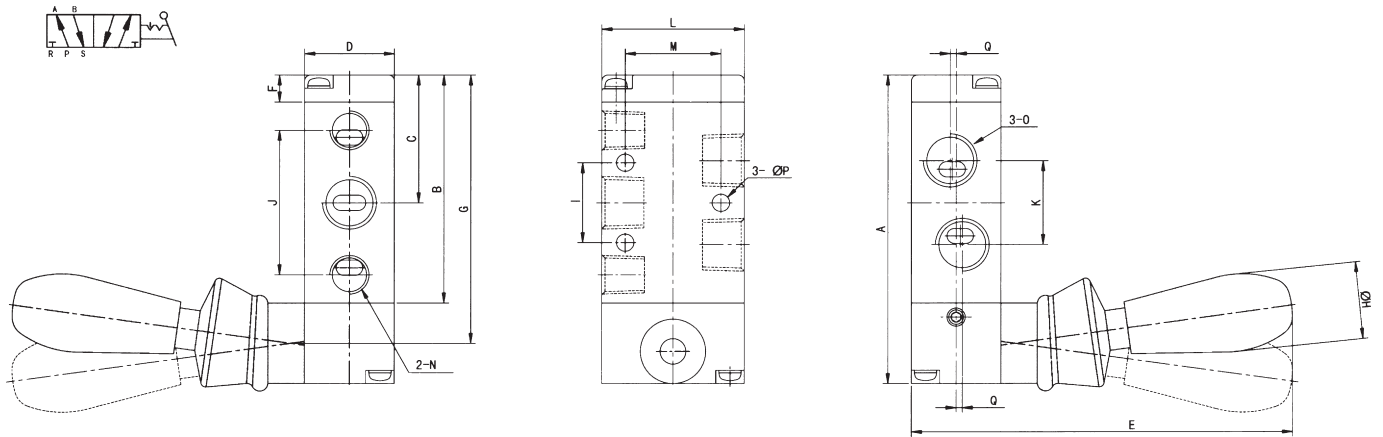
How to order:



Hand Valve

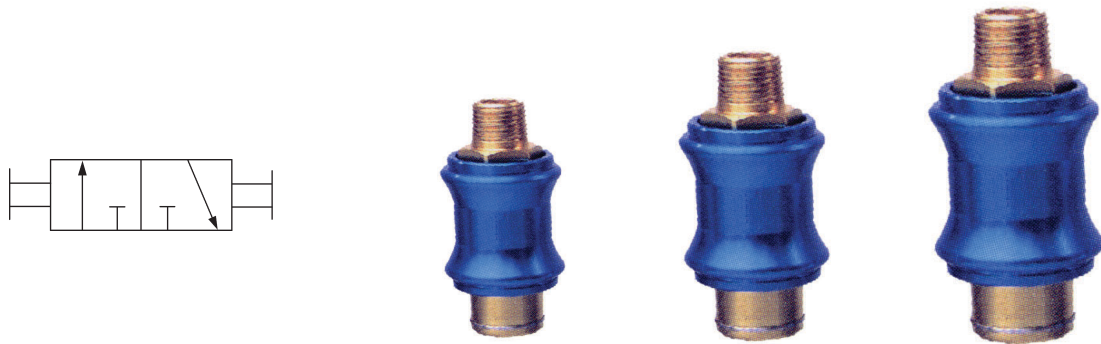
Dimension(mm):

4H



| Type | 4H210-08(06) | 4H230-08(06) (Auto-restoration) | 4H310-10(08) | 4H330-10(08) (Auto-restoration) | 4H410-15 | 4H430-15 (Auto-restoration) |
|------|--------------|------------------------------------|--------------|------------------------------------|----------|--------------------------------|
| A | 76 | 95 | 96 | 115 | 126 | 147 |
| B | 56.5 | 75.5 | 72 | 91 | 102 | 123 |
| C | 31.5 | 31.5 | 40 | 60 | 55.5 | 76.5 |
| D | 22 | 22 | 27 | 27 | 34 | 34 |
| E | 95 | 95 | 100 | 100 | 110 | 110 |
| F | 6.5 | 6.5 | 7.5 | 7.5 | 7.5 | 7.5 |
| G | 66.5 | 85.5 | 84 | 103 | 114 | 135 |
| H | 18 | 18 | 18 | 18 | 18 | 18 |
| I | 20 | 20 | 24 | 24 | 28 | 28 |
| J | 36 | 36 | 45 | 45 | 63 | 63 |
| K | 21 | 21 | 24 | 24 | 36 | 36 |
| L | 35 | 35 | 40 | 40 | 50 | 50 |
| M | 21 | 21 | 27 | 27 | 35 | 35 |
| N | G1/8 | G1/8 | G3/8 | G3/8 | G1/2 | G1/2 |
| O | G1/4(G1/8) | G1/4(G1/8) | G3/8(G1/4) | G3/8(G1/4) | G1/2 | G1/2 |
| P | 4.3 | 4.3 | 4.3 | 4.3 | 5.5 | 5.5 |
| Q | 1.5(-) | 1.5(-) | 2(-) | 2(-) | - | - |

Hand Valve

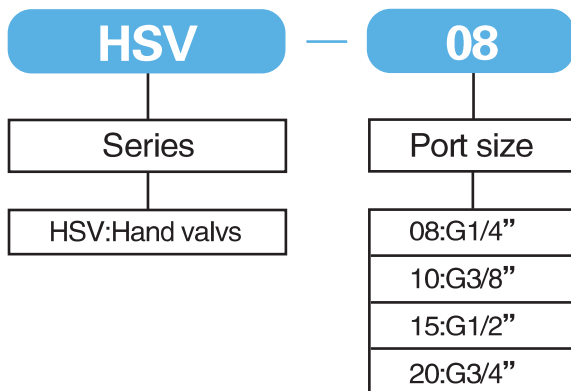


Specification:

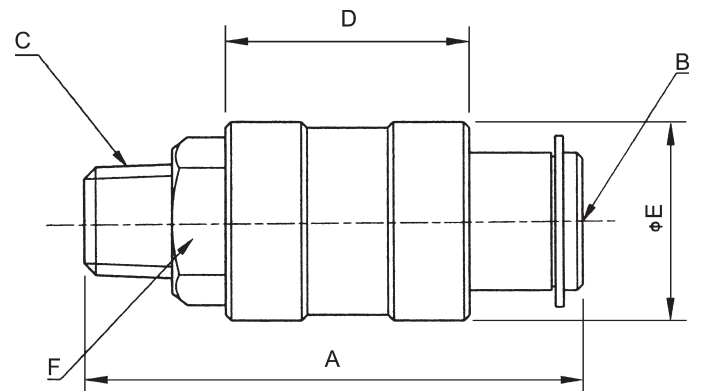
| Type | HSV-08 | HSV-10 | HSV-15 | HSV-20 |
|------------------------|--------|--------|--------|--------|
| Port size G | 1/4" | 3/8" | 1/2" | 3/4" |
| Fluid | Air | | | |
| Operation pressure MPa | 0~1.0 | | | |
| Ambient temperature | 5~60°C | | | |

Remarks: Both of the BSP.NPT of the port thread is possible.

How to order:



Dimensions(mm):



| Type | A | B | C | D | E | F |
|--------|----|-------|-------|----|------|----|
| HSV-08 | 58 | G1/4" | G1/4" | 32 | 26 | 19 |
| HSV-10 | 57 | G3/8" | G3/8" | 32 | 31 | 22 |
| HSV-15 | 91 | G1/2" | G1/2" | 49 | 38.5 | 27 |
| HSV-20 | 91 | G3/4" | G3/4" | 49 | 42 | 35 |

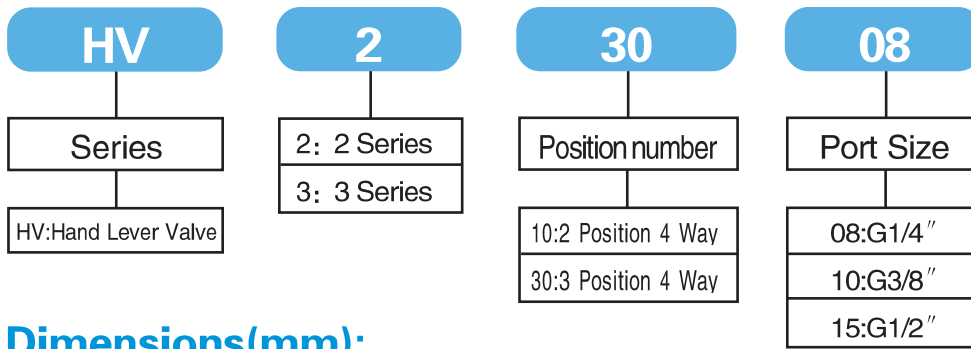
Hand Lever Valve

Specifications:

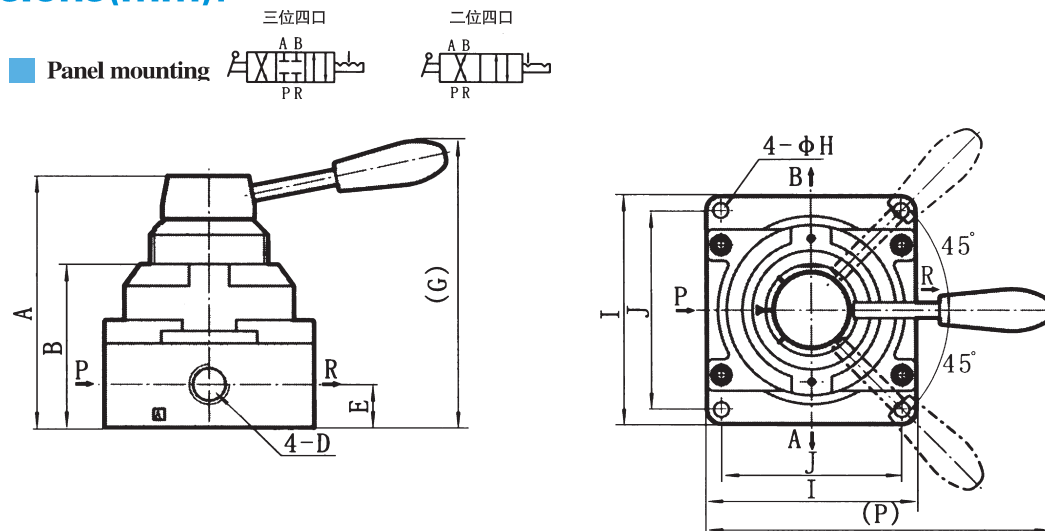
| Type | HV2□□-08 | HV3□□-08 | HV3□□-10 | HV3□□-15 |
|---------------------------------|-----------------------------------|-----------------------------|-----------------------------|-----------------------------|
| Medium | Air | | | |
| Position number | 2 Position 4 Way/3 Position 4 Way | | | |
| Port size(G) | 1/4" | | 3/8" | 1/2" |
| Valid sectional area (Cv Value) | 16mm ² (0.89) | 30mm ² (1.67) | 33mm ² (1.83) | 88mm ² (4.89) |
| Operating temperature(Mpa) | 0~1.0 | | | |
| Proof pressure(MPa) | 1.5 | | | |
| Ambient temperature range | -5~60°C | | | |
| Operating angle | 90° | | | |



How to order:



Dimensions(mm):



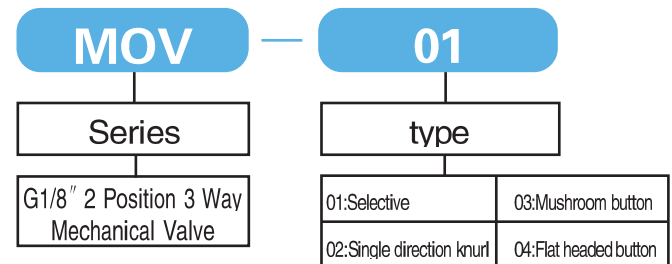
| Type | A | B | D | E | G | H | I | J | P |
|----------|------|----|------|------|------|-----|----|----|-----|
| HV2□□-08 | 72.6 | 45 | G1/4 | 11.5 | 92.5 | 5 | 62 | 49 | 120 |
| HV3□□-08 | 88.5 | 56 | G1/4 | 13.5 | 104 | 6.6 | 74 | 62 | 140 |
| HV3□□-10 | 88.5 | 56 | G3/8 | 13.5 | 104 | 6.6 | 74 | 62 | 140 |
| HV3□□-15 | 88.5 | 56 | G1/2 | 13.5 | 104 | 6.6 | 74 | 62 | 140 |

Mechanical Valve

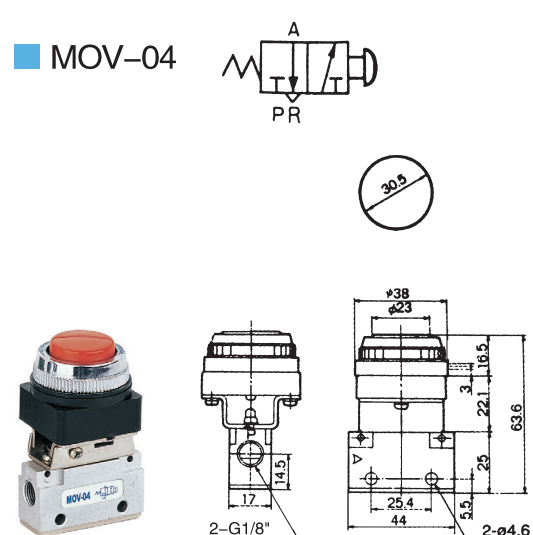
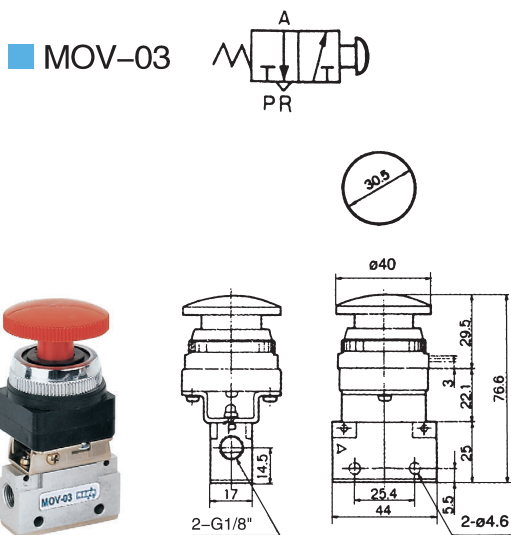
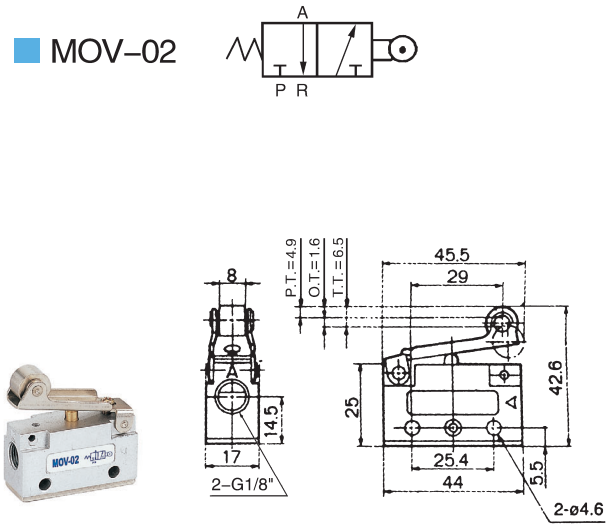
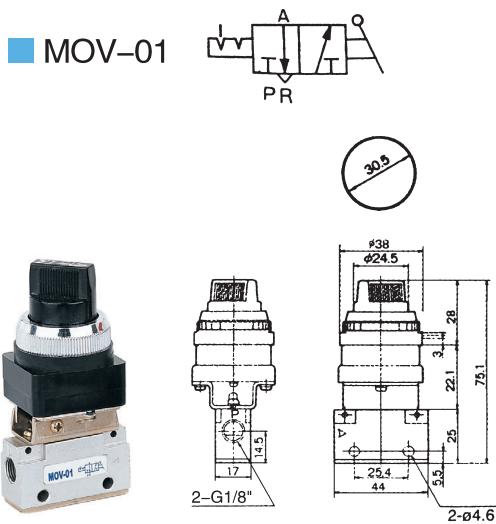
Specifications:

| | |
|--|--------------------|
| Type | MOV-01, 02, 03, 04 |
| Port size(G) | 1/8" |
| Fluid | Air |
| Temperature range | 0-60°C |
| Operating temperature(Mpa) | 0-1 |
| Valid sectional area(mm ²) | 2.5 |
| Lubrication | Not Lubricated |

How to order:



Dimensions(mm):

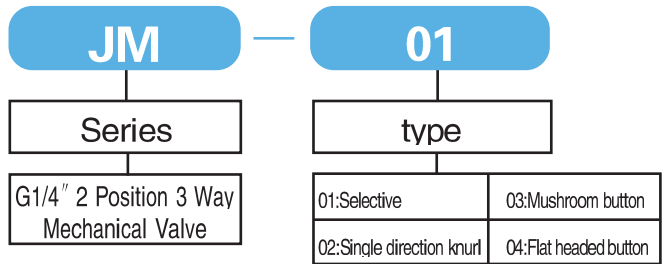


Mechanical Valve

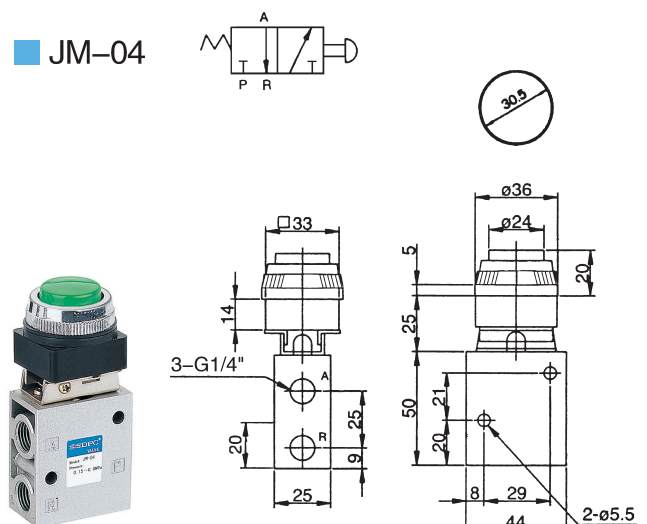
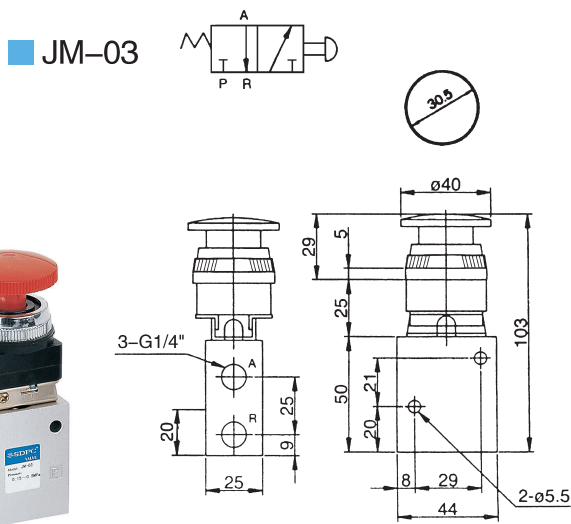
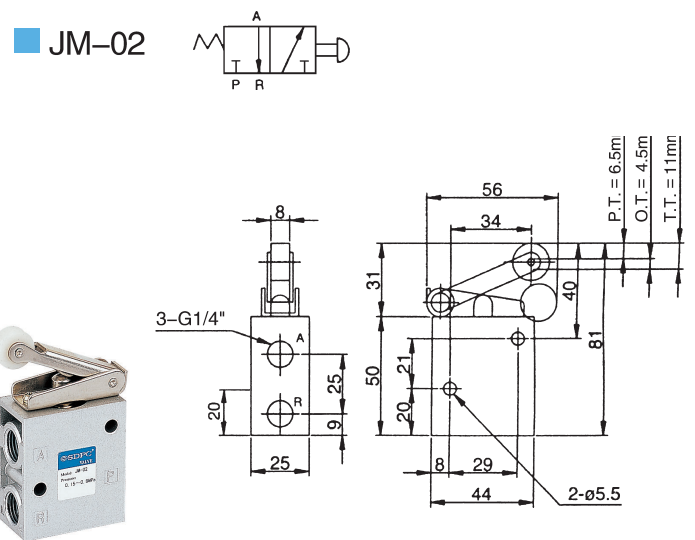
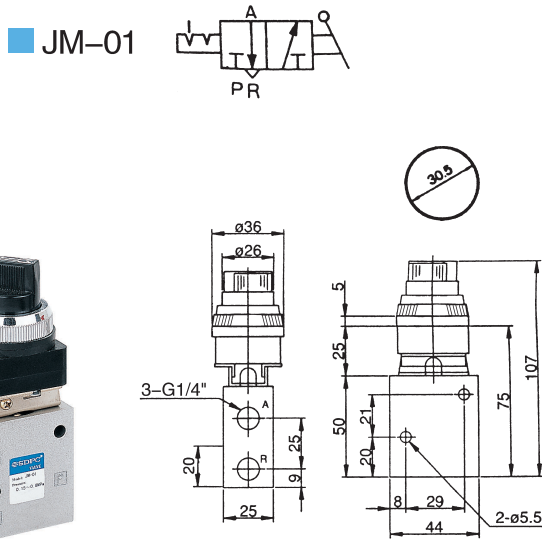
Specifications:

| | |
|--|-------------------|
| Type | JM-01, 02, 03, 04 |
| Port size(G) | 1/4" |
| Fluid | Air |
| Temperature range | 0-60°C |
| Operating temperature(Mpa) | 0-1 |
| Valid sectional area(mm ²) | 2.5 |
| Lubrication | Not Lubricated |

How to order:



Dimensions(mm):

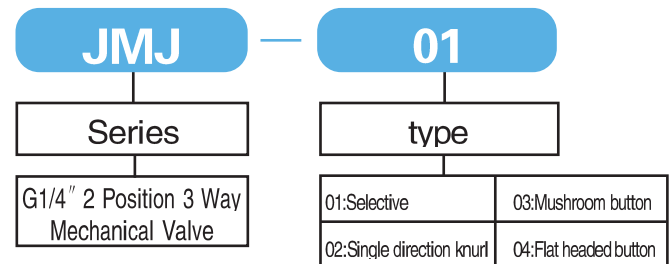


Mechanical Valve

Specifications:

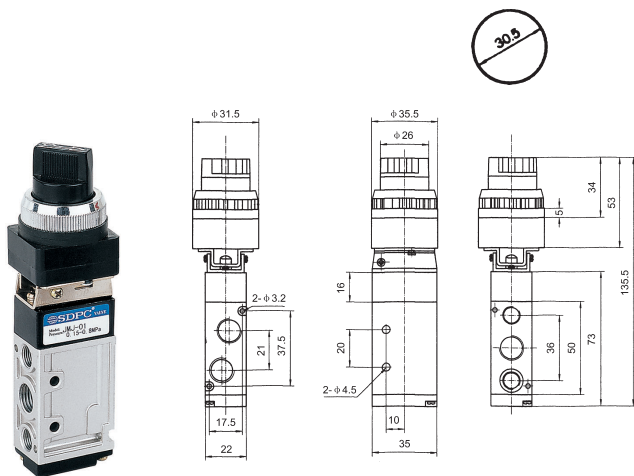
| | |
|--|--------------------|
| Type | JMJ-01, 02, 03, 04 |
| Port size(G) | 1/4" |
| Fluid | Air |
| Temperature range | 0-60°C |
| Operating temperature(Mpa) | 0-1 |
| Valid sectional area(mm ²) | 2.5 |
| Lubrication | Not Lubricated |

How to order:

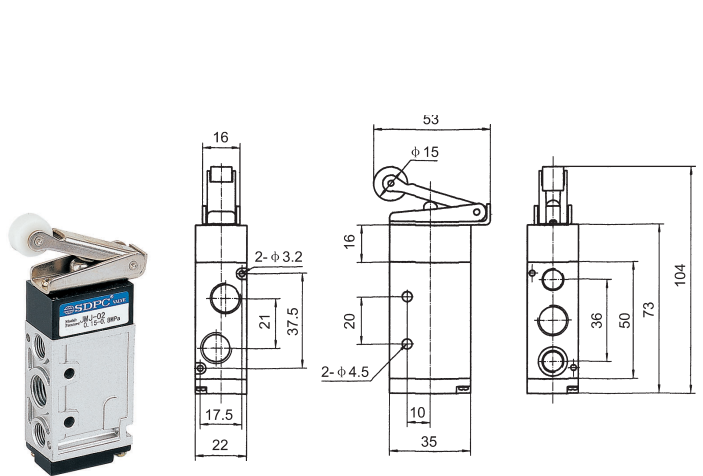


Dimensions(mm):

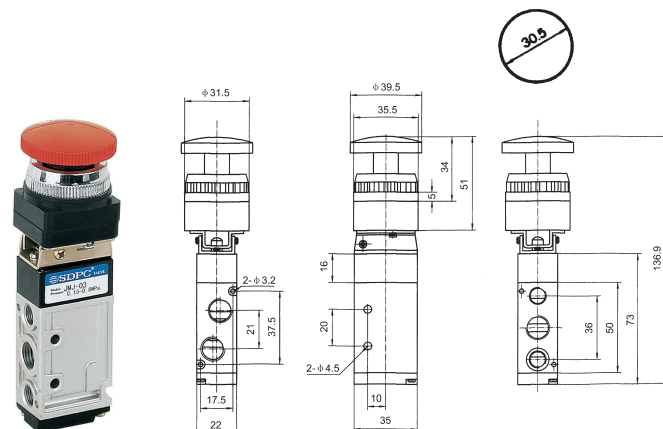
JMJ-01



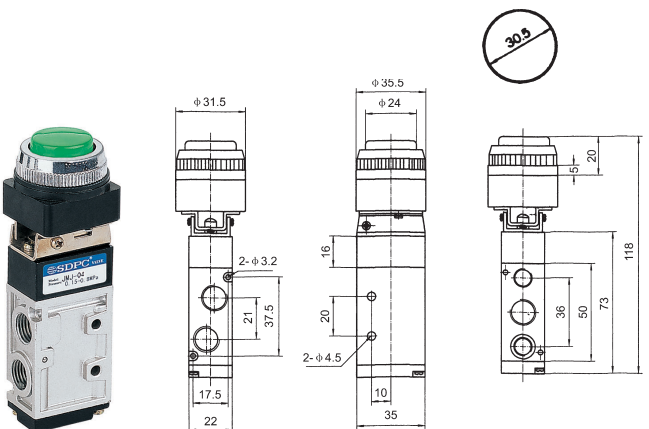
JMJ-02



JMJ-03



JMJ-04



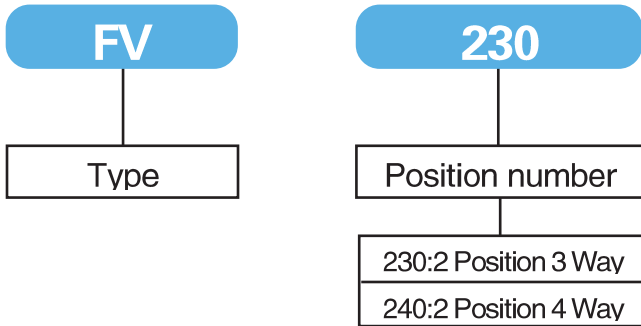
Foot Valve

Specifications:

| Type | FV230 | FV240 |
|----------------------------|------------------|------------------|
| Position number | 2 Position 5 Way | 2 Position 4 Way |
| Port size(G) | 1/4" | |
| Fluid | Air | |
| Operating temperature(Mpa) | 0.2~0.7 | |
| Temperature range | 5~60°C | |

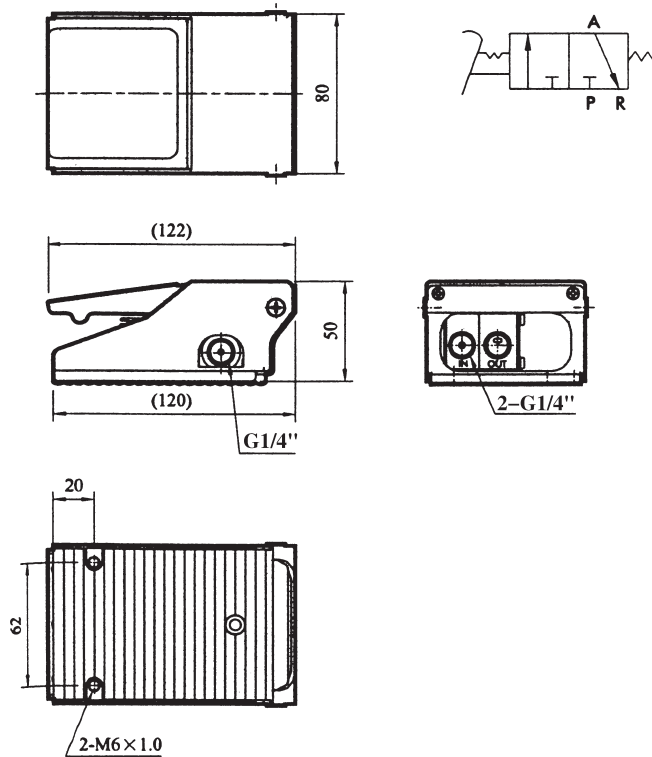


How to order:

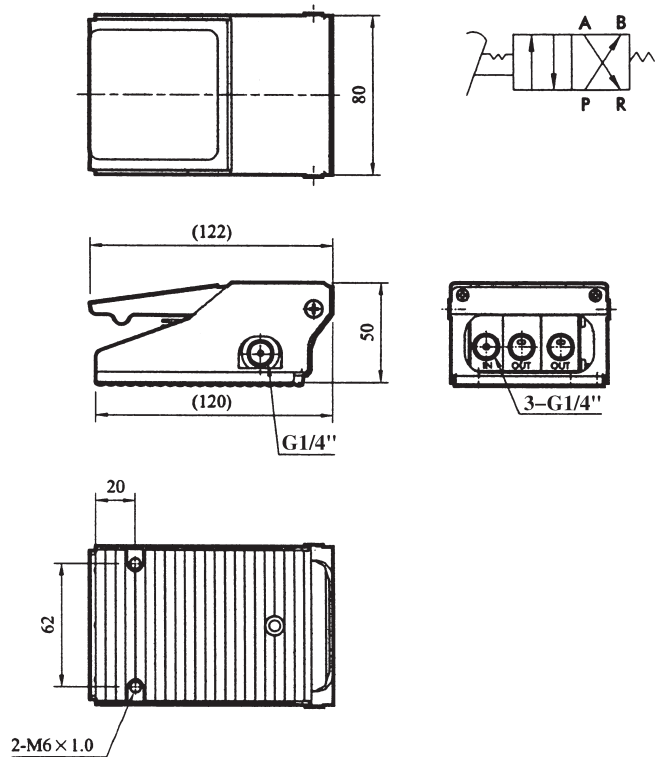


Dimensions(mm):

■ FV230



■ FV240



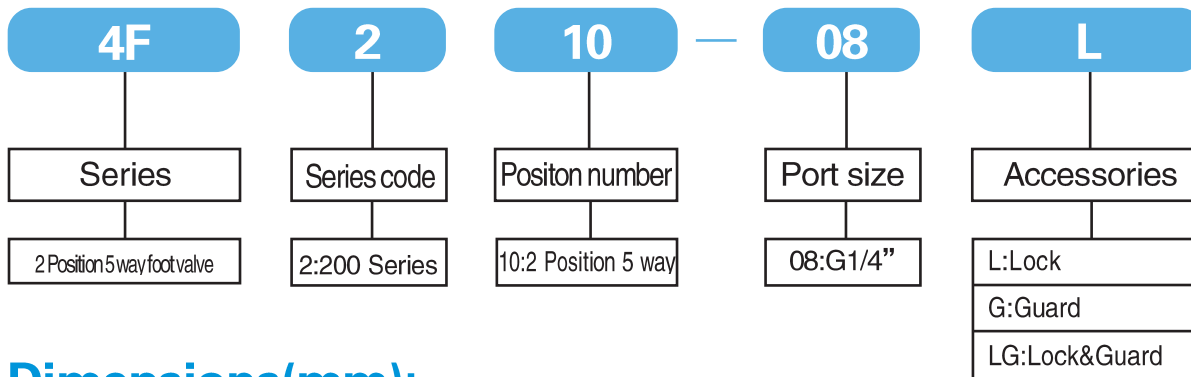
Foot Valve

Specifications:

| | | | | |
|----------------------------|-------------------|-----------|-----------|------------|
| Type | 4F210-08 | 4F210-08L | 4F210-08G | 4F210-08LG |
| Port size(G) | 1/4" | | | |
| Fluid | Air | | | |
| Acting type | Directly operated | | | |
| Operating temperature(Mpa) | 0.2-0.8 | | | |
| Temperature range | 0-60°C | | | |
| Lubrication | Not Lubricated | | | |

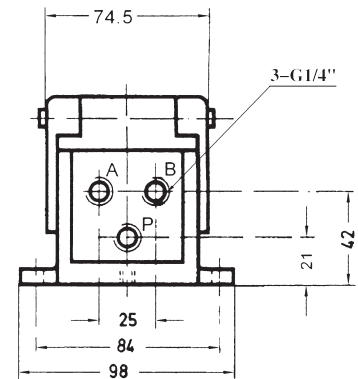
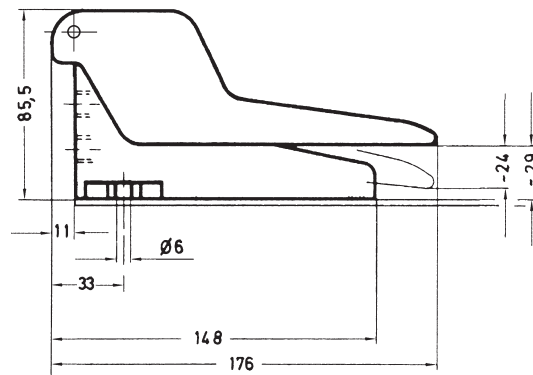
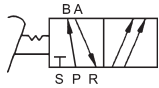


How to order:

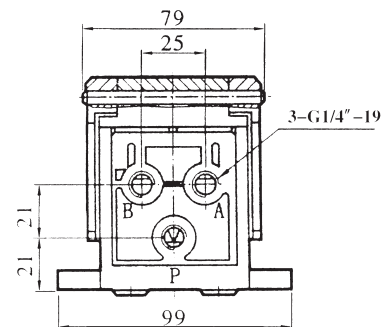
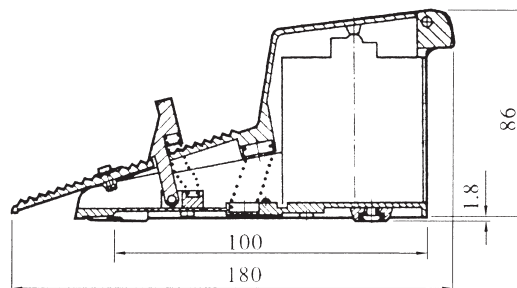
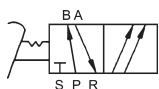


Dimensions(mm):

4F210-08



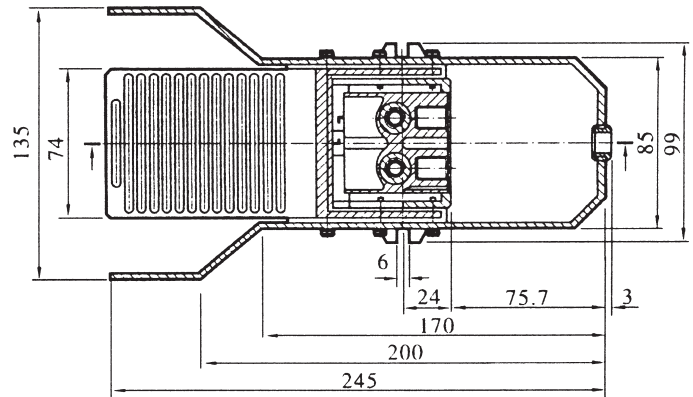
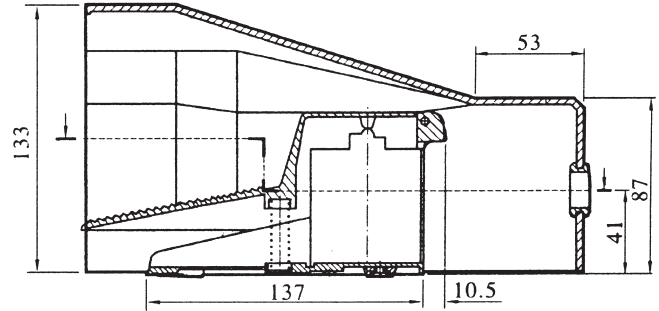
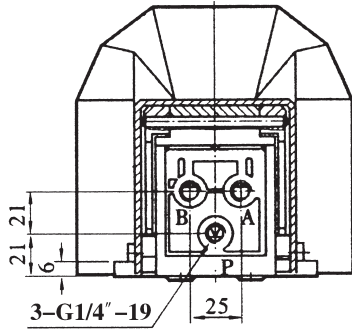
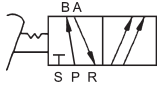
4F210-08L



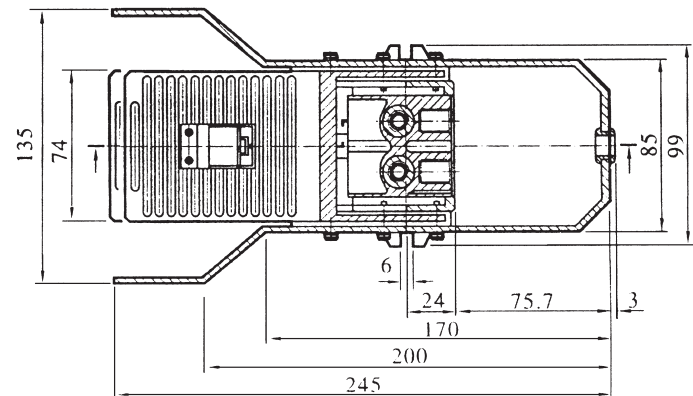
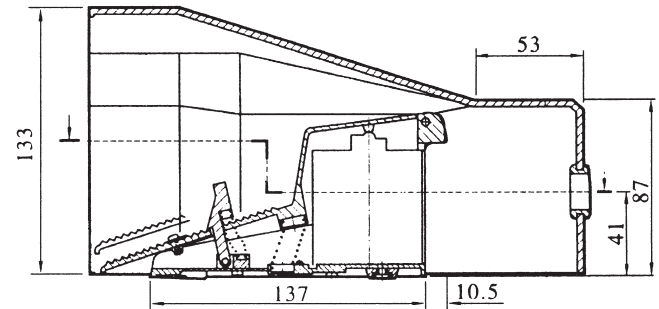
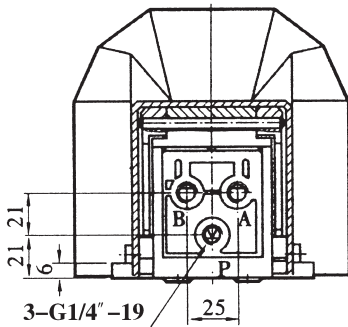
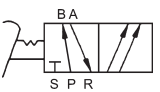
Foot Valve

Dimensions(mm):

■ 4F210-08G



■ 4F210-08LG



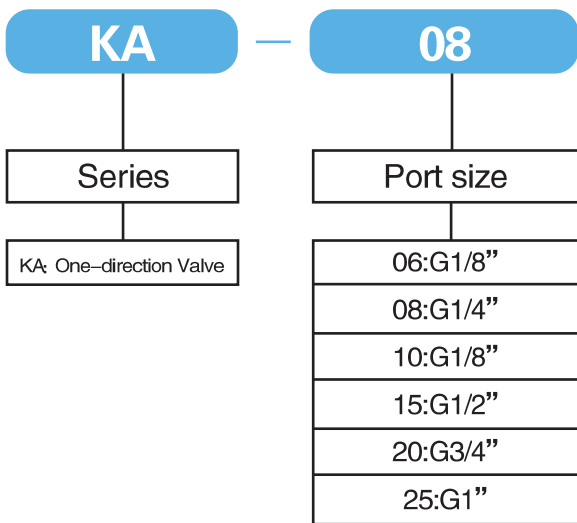
One-direction Valve



Specifications:

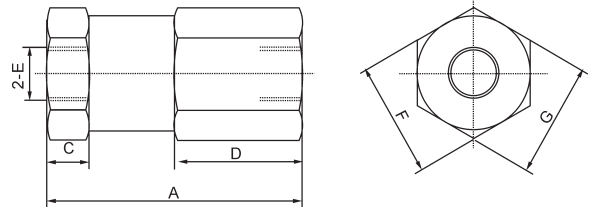
| Type | KA-06 | KA-08 | KA-10 | KA-15 | KA-20 | KA-25 |
|----------------------------|-------|-------|-------|-------|-------|-------|
| Fluid | Air | | | | | |
| Port size(G) | 06 | 08 | 10 | 15 | 20 | 25 |
| | G1/8" | G1/4" | G3/8" | G1/2" | G3/4" | G1" |
| Operating temperature(Mpa) | 0-0.8 | | | | | |
| Temperature range | -5~60 | | | | | |

How to order:

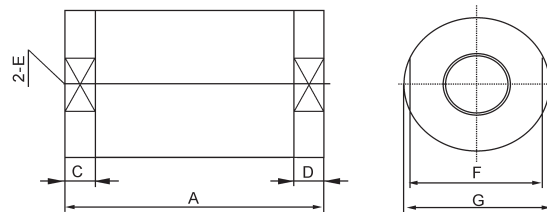


Dimensions(mm):

KA-06、08



KA-10、15、20、25



| Type | A | C | D | E | F | G |
|-------|------|---|----|-------|----|------|
| KA-06 | 48 | 8 | 24 | G1/8" | 21 | 21 |
| KA-08 | 48 | 8 | 24 | G1/4" | 21 | 21 |
| KA-10 | 68.5 | 8 | 8 | G3/8" | 32 | φ 35 |
| KA-15 | 68.5 | 8 | 8 | G1/2" | 32 | φ 35 |
| KA-20 | 95.5 | 8 | 8 | G3/4" | 47 | φ 50 |
| KA-25 | 95.5 | 8 | 8 | G1" | 47 | φ 50 |

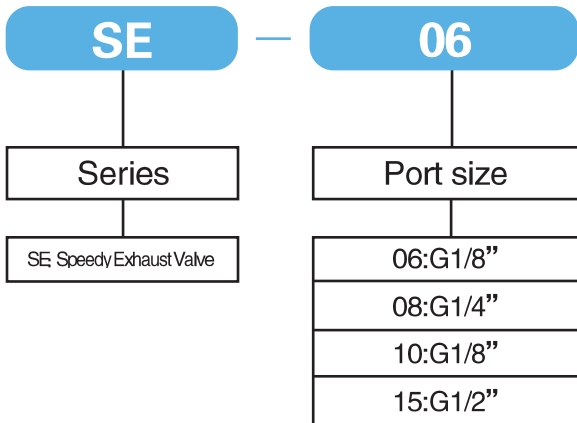
Speedy Exhaust Valve



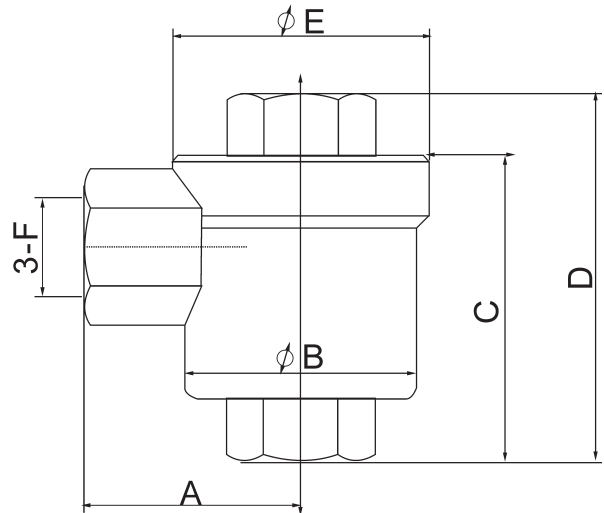
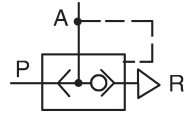
Specifications:

| Type | SE-06 | SE-08 | SE-10 | SE-15 |
|----------------------------|-------|-------|-------|-------|
| Fluid | Air | | | |
| Port size(G) | 06 | 08 | 10 | 15 |
| | G1/8" | G1/4" | G3/8" | G1/2" |
| Operating temperature(Mpa) | 0.1~1 | | | |
| Temperature range | -5~60 | | | |

How to order:



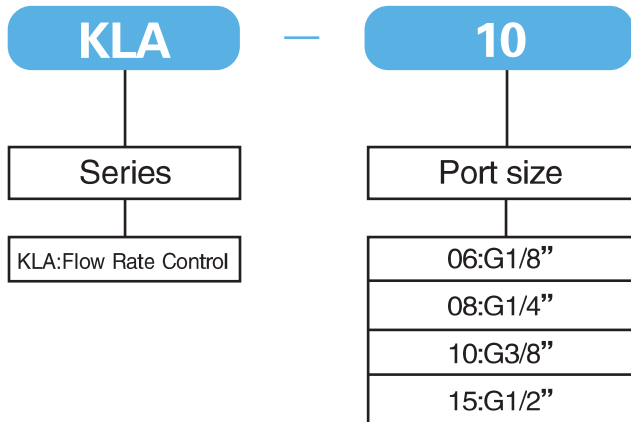
Dimensions(mm):



| Type | A | B | C | D | E | F |
|-------|----|----|----|----|------|-------|
| SE-06 | 27 | 30 | 42 | 50 | φ 32 | G1/8" |
| SE-08 | 27 | 30 | 42 | 50 | φ 32 | G1/4" |
| SE-10 | 36 | 41 | 51 | 62 | φ 45 | G3/8" |
| SE-15 | 44 | 48 | 64 | 76 | φ 55 | G1/2" |

Flow Rate Control

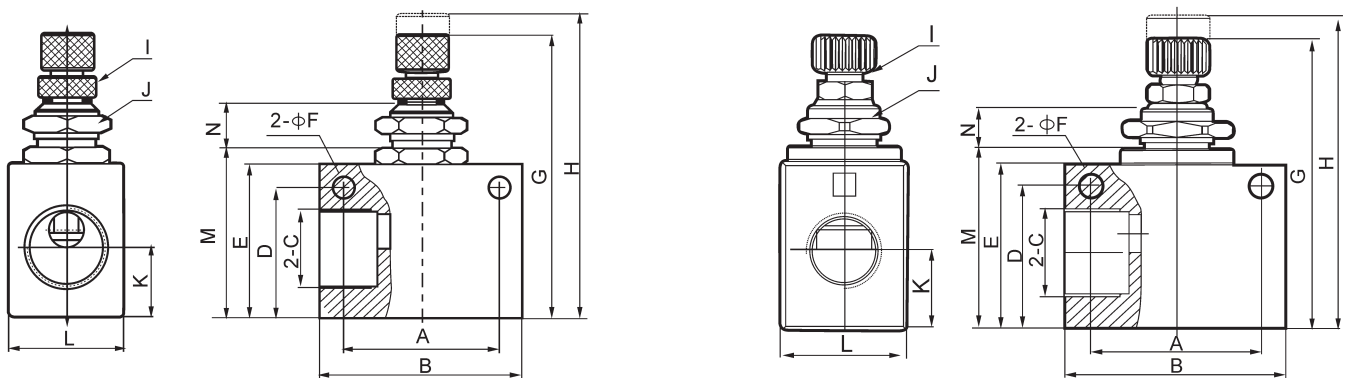
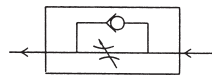
Specifications:



How to order:

| Type | KLA-06 | KLA-08 | KLA-10 | KLA-15 |
|----------------------------|----------------|--------|--------|--------|
| Fluid | Air | | | |
| Port size(G) | 1/8" | 1/4" | 3/8" | 1/2" |
| Operating temperature(Mpa) | 0.05-0.95 | | | |
| Temperature range | -5-60 | | | |
| | Aluminum alloy | | | |

Dimensions(mm):

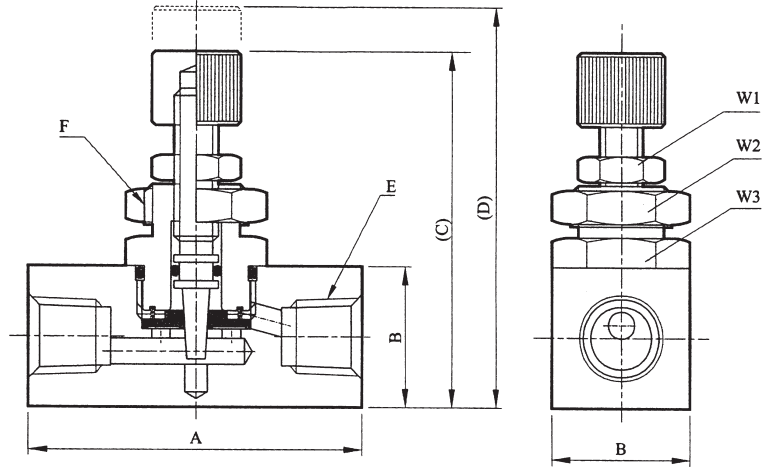
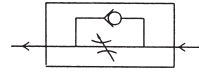


| Type | A | B | C | D | E | F | G | H | I | J | K | L | M | N |
|--------|----|----|-------|----|----|-----|------|------|-----------|------------|------|----|----|------|
| KLA-06 | 26 | 36 | G1/8" | 23 | 27 | 4.3 | 50.8 | 56.3 | M6 × 0.5 | M12 × 0.75 | 13.5 | 18 | 30 | 8.6 |
| KLA-08 | 26 | 36 | G1/4" | 23 | 27 | 4.3 | 50.8 | 56.3 | M6 × 0.5 | M12 × 0.75 | 13.5 | 18 | 30 | 8.6 |
| KLA-10 | 35 | 50 | G3/8" | 32 | 37 | 5.3 | 65 | 74 | M8 × 0.75 | M16 × 1 | 17.5 | 28 | 40 | 10.2 |
| KLA-15 | 35 | 50 | G1/2" | 32 | 37 | 5.3 | 65 | 74 | M8 × 0.75 | M16 × 1 | 17.5 | 28 | 40 | 10.2 |

RE Flow capacity control valve



Dimension:

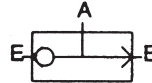


| symbol | A | B | C | D | E | F | W1 | W2 | W3 |
|--------|----|----|----|----|-------|---------|----|----|----|
| RE-06 | 45 | 19 | 46 | 53 | G1/8 | M14 × 1 | 11 | 17 | 17 |
| RE-08 | 45 | 19 | 46 | 53 | G 1/4 | M14 × 1 | 11 | 17 | 17 |
| RE-10 | 55 | 25 | 52 | 59 | G 3/8 | M18 × 1 | 11 | 17 | 23 |
| RE-15 | 55 | 25 | 52 | 59 | G 1/2 | M18 × 1 | 11 | 17 | 23 |

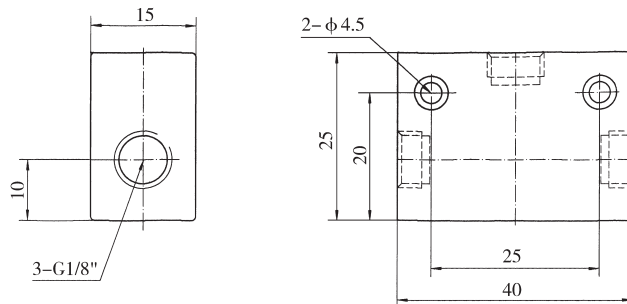
ST Shuttle valve



Dimension:



■ ST-06(G1/8")



■ ST-08(G1/4")

