

VALVES FOR FLAT SURFACES - TS SERIES - Ø 1½"



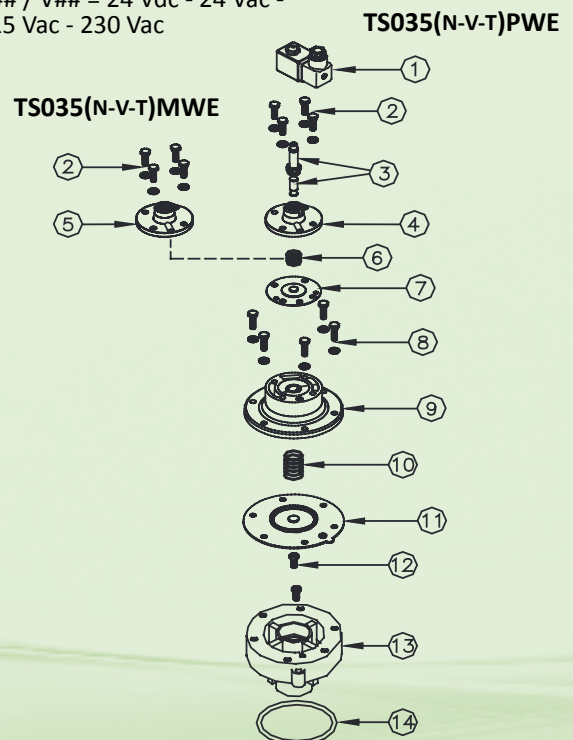
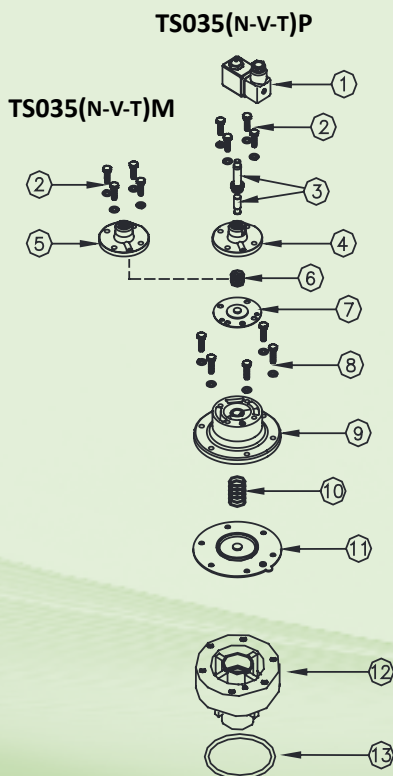
FEATURES

Fluids	Non-lubricated filtered air
Operating temperature	Neoprene diaphragm -20°C +80°C
	Viton diaphragm -20°C +200°C
	Low T. diaphragm -40°C; +80°C
Operating pressure	between 0.5 and 7.5 bar
Body and cover	Die-cast aluminium
Pilot core	Stainless steel
Screws and bolts	Stainless steel
Coil insulation	Class H
Connector	PG 9 EN175301-803
Connector + coil protection	IP65 EN60529
Standard voltage	24V/50-60Hz (±10%) 19VA
	115V/50-60Hz (±10%) 19VA
	230V/50-60Hz (±10%) 19VA
	24VDC (± 10%) 18 Watt

DESCRIPTION	TS035(N-V-T)P / TS035(N-V-T)M
1 Coil - Connector	BH10 V## / V##
2 Screws - Washers	TKITVTE06X18X4
3 Pilot unit	1331080
4 Pilot cover	1251720
5 Remote cover	1251740
6 Diaphragm spring	3241006
7 Secondary diaphragm (N-V-T)	TKISM010N Neoprene
	TKISM010V Viton
	TKISM010T Low temperature
8 Screws - Washers	TKITVTE06X20X6
9 Cover	1251810
10 Diaphragm spring	3241018
11 Primary Diaphragm (N-V-T)	TKISM035N Neoprene
	TKISM035V Viton
	TKISM035T Low temperature
12 Valve body	1251350
13 O-R gasket	3301276

DESCRIPTION	TS035(N-V-T)PWE / TS035(N-V-T)MWE
1 Coil - Connector	BH10 V## / V##
2 Screws - Washers	TKITVTE06X18X4
3 Pilot unit	1331080
4 Pilot cover	1251720
5 Remote cover	1251740
6 Diaphragm spring	3241006
7 Secondary diaphragm (N-V-T)	TKISM010N Neoprene
	TKISM010V Viton
	TKISM010T Low temperature
8 Screws - Washers	TKITVTE06X20X6
9 Cover	1251810
10 Diaphragm spring	3241018
11 Primary Diaphragm (N-V-T)	TKISM035N Neoprene
	TKISM035V Viton
	TKISM035T Low temperature
12 Screws - Washers	TKITVTE08X20X2
13 Valve body	1251370
14 O-R gasket	3301276

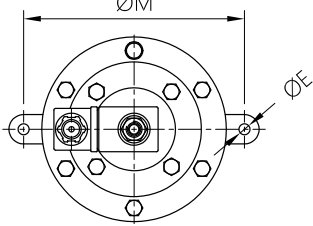
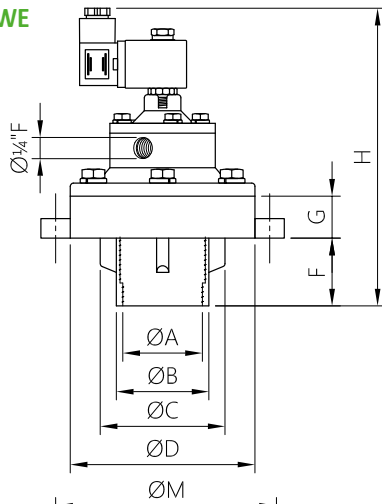
V## / V## = 24 Vdc - 24 Vac -
115 Vac - 230 Vac



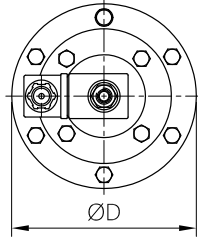
TS SERIES - Ø 1½" - OVERALL DIMENSIONS

DIAPHRAGM VALVES
FOR FLAT SURFACES

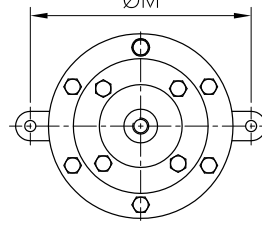
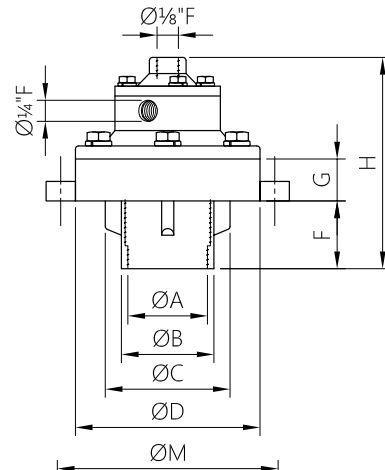
TS035(N-V-T)PWE



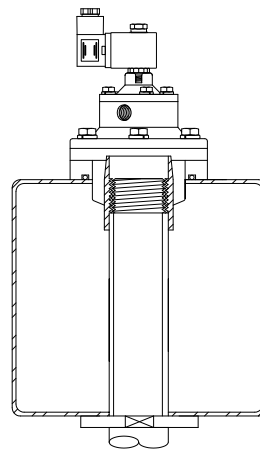
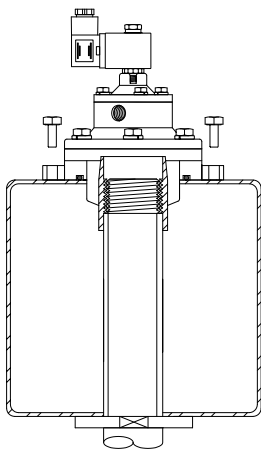
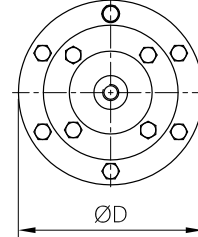
TS035(N-V-T)P



TS035(N-V-T)MWE



TS035(N-V-T)M



MODEL	øA	øB	øC	øD	øE	F	G	H	M	Weight (kg)
TS035(N-V-T)PWE	1 ½"	57	80.5	114	9	42	26	190	-	1.6
TS035(N-V-T)P	1 ½"	57	80.5	114	9	42	26	190	130	1.6
TS035(N-V-T)MWE	1 ½"	57	80.5	114	9	42	26	135	-	1.4
TS035(N-V-T)M	1 ½"	57	80.5	114	9	42	26	135	130	1.4