

Solenoid Valve

Characteristics:

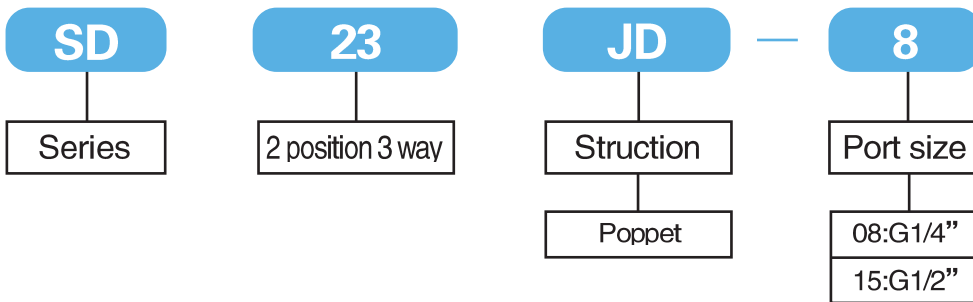
This series valve is the direction –changer valve, type stop structure ,stable performance, safety reliable comprehensively used all kinds of blower .



Specification:

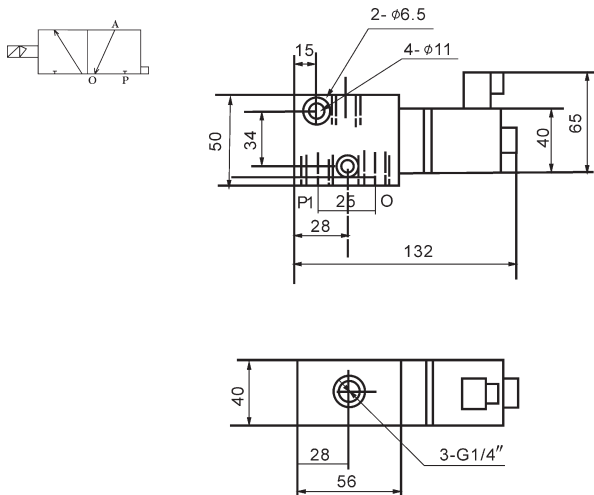
| Item code | Port size | Nominal diameter | Pressure range | Switch time | Cv | Ambient temperature | Service life |
|-----------|-----------|------------------|----------------|-------------|---------------------|---------------------|----------------|
| HP23JD-08 | G1/4" | 8mm | 0.2~2MPa | ≤ 0.04S | ≥ 20mm ² | 5~50°C | ≥ 2 millions |
| HP23JD-15 | G1/2" | 15mm | 0.2~3.5MPa | ≤ 0.08S | ≥ 60mm ² | | ≥ 1.5 millions |

How to order:

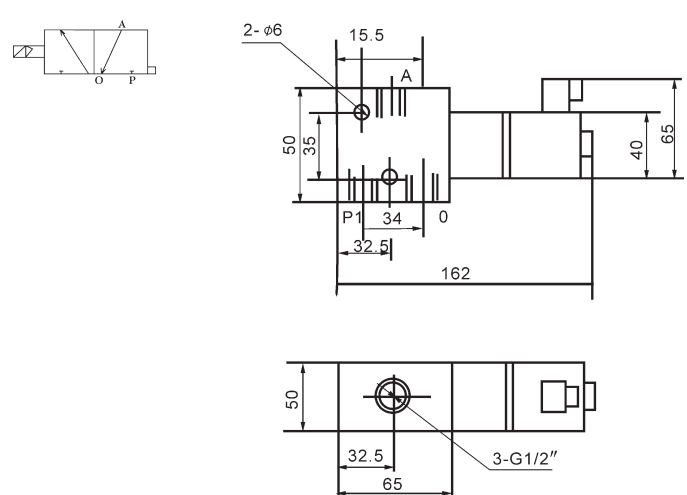


Dimensions:

■ HP23JD-08



■ HP23JD-15



Solenoid Valve

Characteristics:

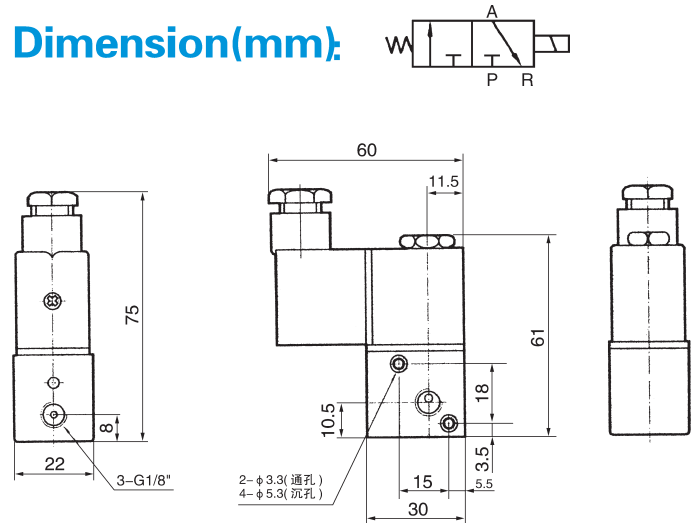
- Service life: 10 million cycle times.
- With import coils, low power consumption.
- Capable of long service time without being damaged.



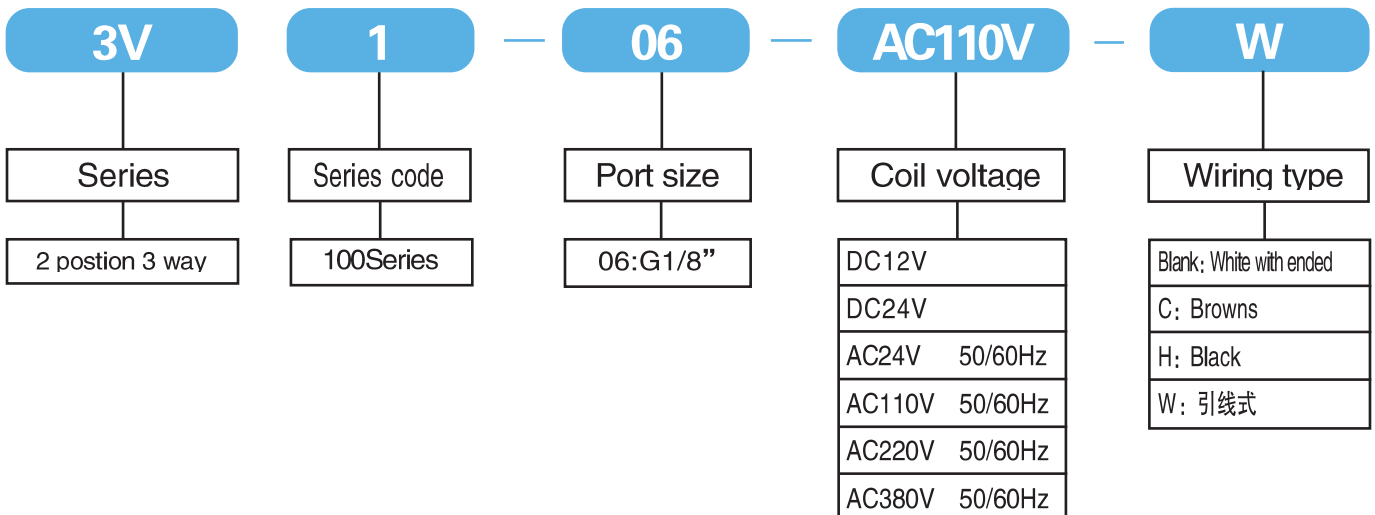
Specification:

| | |
|------------------------|----------------------|
| Type | 3V1-06 |
| Fluid | Air (Filtered, 40um) |
| Acting type | Directly operated |
| Position number | 2 position 3 way |
| Port size G | 1/8" |
| Orifice | 1.2mm |
| Lubrication | NO |
| Operating pressure Mpa | 0~0.8 |
| Voltage range | ± 10% |
| Power consumption | AC: 4.5VA DC: 3W |

Dimension(mm):



How to order:



Solenoid Valve

Characteristics:

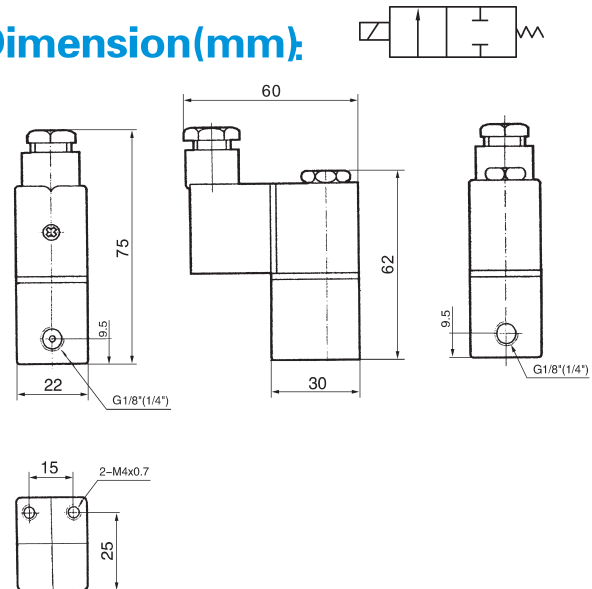
- Service life: 10 million cycle times.
- With import coils, low power consumption.
- Capable of long service time without being damaged.



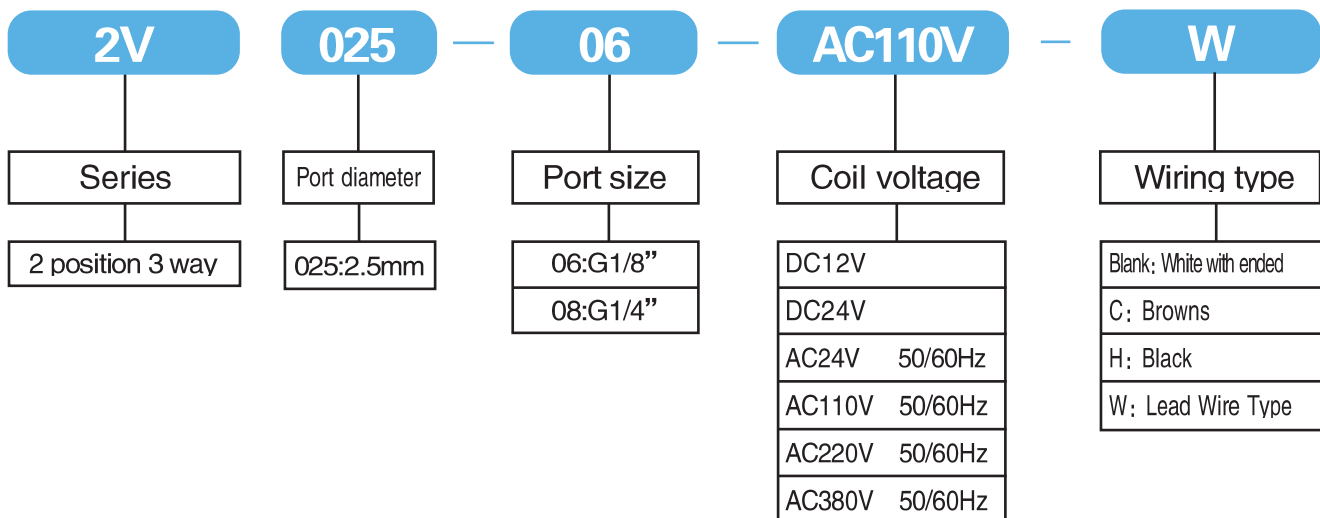
Specification:

| | | |
|-------------------------|-------------------|----------|
| Type | 2V025-06 | 2V025-08 |
| Medium | Air, Water, Oil | |
| Acting type | Directly operated | |
| Type | Normally closed | |
| Port diameter(mm) | 2.5 | |
| Cv Value | 0.23 | |
| Port size(G) | 1/8" | 1/4" |
| Operating pressure(Mpa) | 0-0.8 | |
| Temperature range | -10~80°C | |
| Voltage range | ± 10% | |
| Power consumption | AC:4.5VA DC:3W | |

Dimension(mm):



How to order:



Solenoid Valve

Characteristics:

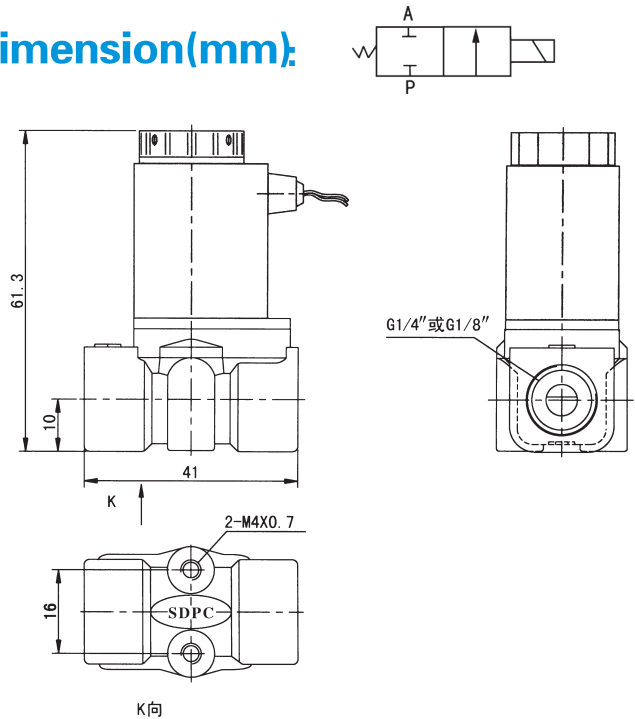
- Service life: 10 million cycle times.
- With import coils, low power consumption.
- Capable of long service time without being damaged.



Specification:

| Type | 2P025-06 | 2P025-08 |
|------------------------|----------------------|----------|
| Fluid | Air, oil, water, gas | |
| Acting type | Directly operated | |
| Type | Normally closed | |
| Port diameter mm | 2.5 | |
| CV | 0.23 | |
| Port size G | 1/8" | 1/4" |
| Operating pressure Mpa | 0-0.7 | |
| Ambient temperature | -5-80°C | |
| Voltage range | ± 10% | |
| Power consumption | AC: 4.5VA DC: 3W | |

Dimension(mm):



How to order:

