

➤ SB116 Series Two-Position Two-way Solenoid valve

SB116

No-water hammer impact ,low noise, stable working, large flow, long service life.



Ordering Code

SB116

Item No.

2A

Code Form

- 2A** Zero pressure
- 2B** Differential pressure
- 4** High temperature
- 5** High Pressure
- 2AS** Zero pressure Stainless Steel
- 2BS** Low pressure Stainless Steel

10

Orifice

- 08** 8mm
- 10** 10mm
- 13** 13mm
- 14** 14mm
- 20** 20mm
- 25** 25mm
- 40** 40mm
- 50** 50mm

08

Connection port

- 08** 1/4"
- 10** 3/8"
- 15** 1/2"
- 20** 3/4"
- 25** 1"
- 35** 1 1/4"
- 40** 1 1/2"
- 50** 2"

AC110V

Standard voltage

- DC12V**
- DC24V**
- AC24V**
- AC36V**
- AC110V**
- AC220V**
- AC380V**

SB116-2A

Specification

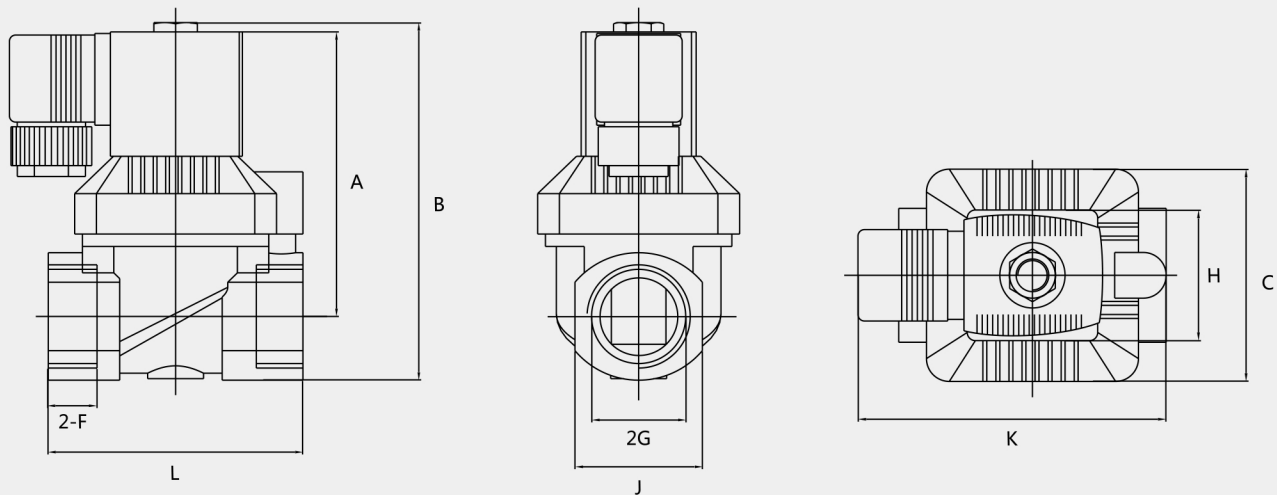
Model	Orifice	Connection ports	Working pressure	Ambient Temp.	Medium Temp.	Kv value (m3/h)	Power consumption		Response Frequency	Voltage
							AC(VA)	DC(W)		
SB116-2A1008	10mm	G1/4	0~1.0MPa	-10~+55°C	-10~+90°C	2	14	8	≥ 1Hz	DC12V DC24V AC24V AC36V AC110V AC220V AC380V ±10%
SB116-2A1010	10mm	G3/8				2	14	8	≥ 1Hz	
SB116-2A1015	10mm	G1/2				3.6	14	8	≥ 1Hz	
SB116-2A1415	14mm	G1/2				8.3	14	8	≥ 0.5Hz	
SB116-2A1420	14mm	G3/4				8.3	14	8	≥ 0.5Hz	
SB116-2A2020	20mm	G3/4				4.8	17	20	≥ 0.5Hz	
SB116-2A2025	20mm	G1				4.8	17	20	≥ 0.5Hz	

Speciality

- Working at Zero Pressure and used below 90°C
- It can be used in gas,water,oil,weak acid& Alkali.
- Low noise, No-water hammer impact ,low noise, stable working, large flow, long service life.
- Coil model:BD-A-3
- Change to Ex-proof & suitable armature, it can used as Ex-proof valve. The coil made from thermosetting plastic encapsulating, the protection class IP65.Plug confirms with ISO standard.



Overall Dimension



Model	G	C	F	L	J	A	B	H	K
SB116-2A1008	G1/4"	38	14	50	26	71	85	40	80
SB116-2A1010	G3/8"	38	14	50	26	71	85	40	80
SB116-2A1015	G1/2"	38	14	50	26	71	85	40	80
SB116-2A1415	G1/2"	45	16	58	31	82	96	40	80
SB116-2A1420	G3/4"	45	16	58	31	82	96	40	80
SB116-2A2020	G3/4"	65	18	82	41	96	117	40	95
SB116-2A2025	G1"	65	18	82	41	96	117	40	95

SB116-2B

Specification

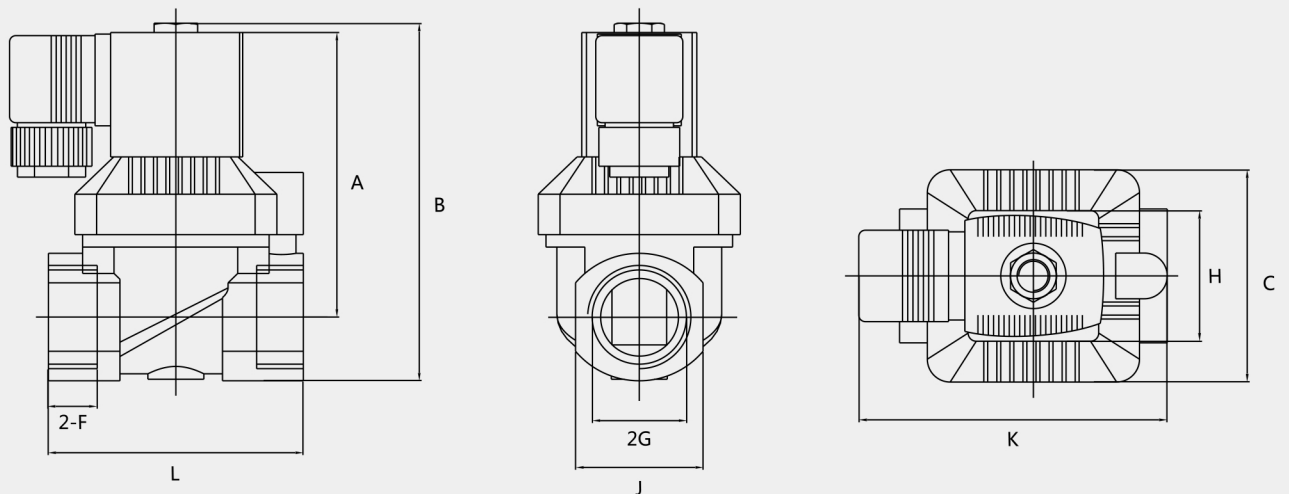
Model	Orifice	Connection ports	Working pressure	Ambient Temp.	Medium Temp.	Kv value (m3/h)	Power consumption		Response Frequency	Voltage
							AC(VA)	DC(W)		
SB116-2B1008	10mm	G1/4	0.02 ~1.0MPa	-10~+55°C	-10~+90°C	1.4	14	12	≥ 1Hz	DC12V DC24V AC24V AC36V AC110V AC220V AC380V ±10%
SB116-2B1010	10mm	G3/8				1.4	14	12	≥ 1Hz	
SB116-2B1015	10mm	G1/2				1.4	14	12	≥ 1Hz	
SB116-2B1415	14mm	G1/2				2.52	14	12	≥ 0.5Hz	
SB116-2B1420	14mm	G3/4				2.52	14	12	≥ 0.5Hz	
SB116-2B2020	20mm	G3/4	0.02~1.6MPa			5	14	12	≥ 0.5Hz	
SB116-2B2025	20mm	G1	0.02~1.6MPa			5	14	12	≥ 0.5Hz	
SB116-2B4035	40mm	G1 ¹ / ₄	0.05 ~1.6MPa			18	14	12	≥ 0.33Hz	
SB116-2B4040	40mm	G1 ¹ / ₂				18	14	12	≥ 0.33Hz	
SB116-2B5050	50mm	G2				28	14	12	≥ 0.33Hz	

Speciality

- Working at Zero Pressure and used below 90°C
- It can be used in gas,water,oil,weak acid& Alkali.
- Low noise, No-water hammer impact ,low noise, stable working, large flow, long service life.
- Coil model:BD-A-3
- Change to Ex-proof & suitable armature, it can used as Ex-proof valve. The coil made from thermosetting plastic encapsulating, the protection class IP65.Plug confirms with ISO standard.



Overall Dimension



Model	G	C	F	L	J	A	B	H	K
SB116-2B1008	G1/4"	38	14	50	26	71	85	40	80
SB116-2B1010	G3/8"	38	14	50	26	71	85	40	80
SB116-2B1015	G1/2"	38	14	50	26	71	85	40	80
SB116-2B1415	G1/2"	45	16	58	31	82	96	40	80
SB116-2B1420	G3/4"	45	16	58	31	82	96	40	80
SB116-2B2020	G3/4"	65	18	82	41	96	117	40	80
SB116-2B2025	G1"	65	18	82	41	96	117	40	80
SB116-2B4035	G1 ¹ / ₄ "	96	20	132	58	112	145	40	80
SB116-2B4040	G1 ¹ / ₂ "	96	20	132	58	112	145	40	80
SB116-2B5050	G2"	111	22	160	70	125	166	40	80