

➤ CS Automatic Drain valve

CS

Fully automatic, maintenance-free Timer control drain valve



Ordering Code

CS	-	720		-	
RFS product		Series code			Material code
		720			Blank brass
		3800			S Stainless steel
		728A			W Without Timer
		711			WS Stainless steel without timer
		740			
					Port size
					01 1/8"
					02 1/4"
					03 3/8"
					04 1/2"

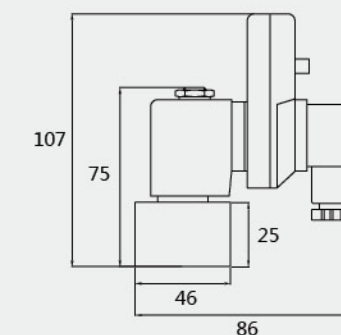
Speciality

- Conforming to CE standard
- Fully automatic, maintenance-free
- Suitable for automatic discharge of condense water in many occasions and automatic irrigation system
- Different voltage and port size are available for selection
- Interval and working time can be adjustable
- Without manual testing switch
- ABS flame-proof house, can reach IP65 class after right installed
- Applicable to a wide range of temperature
- Direct-acting, big orifice, to avoid blockade
- With filter ball valve, Port size and manual switch Can do any changes, easy to install and maintain

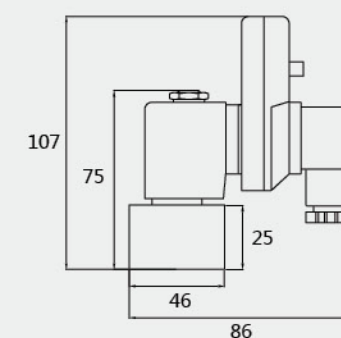
Parameters

Model	CS-720	CS-3800	CS-711
Valve Style	2/2 Direct action		
Connection ports	1/8" 1/4" 3/8" 1/2" Female		1/8" 1/4"
Working pressure	16bar	40bar 80bar	16bar
On/off time	On 0.5~10s	On 1s ~ 99h59min59s	On 2s
	Off 0.5~45min	Off 1s ~ 99h59min59s	Off 0.5~120min
Working temp.	-20°C ~60°C		
Highest Media Temperature	160°C		
Valve Body	Brass / Stainless steel		
Orifice	1.9mm 2.5mm 4.5mm		2mm
Protection class Insulation class	F/H class IP65 (with plug)		
Voltage	24~240V	DC/AC 50/60z±10%	
Power	AC22VA/DC20W		AC 8VA,DC 8W
Mounting	Any place		

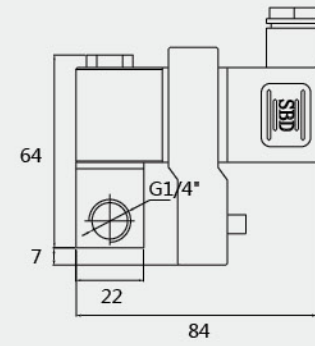
CS-720



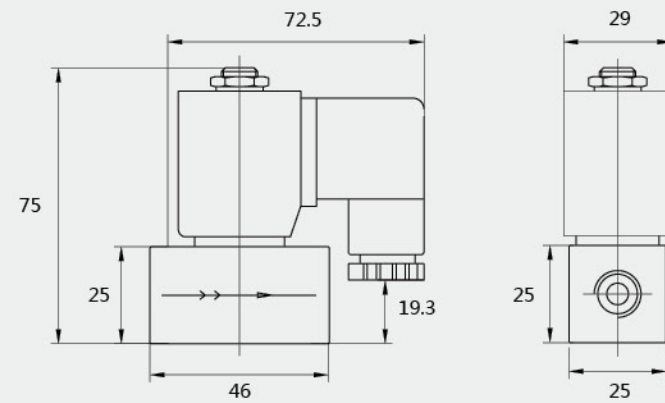
CS-3800



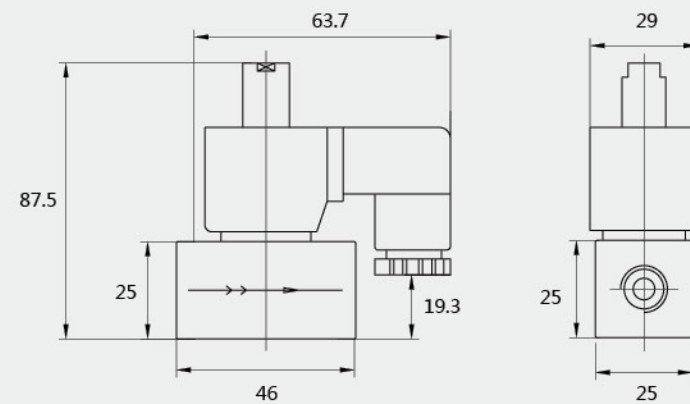
CS-711



CS-720W



CS-720W-CK



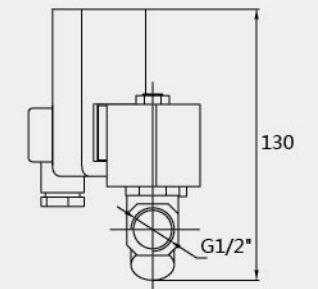
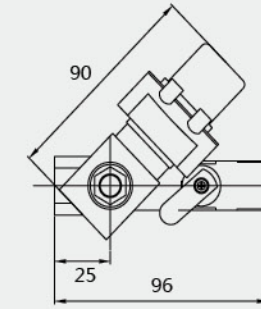
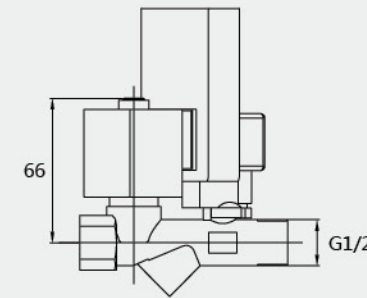
CS-728A



Combine filter ball valve and Timer control drain valve together

Parameters

Orifice	3.5mm
Pattern	Normally close
Rated voltage	AC/DC24~240V ±10%
Power	AC22VA/DC20W
Working pressure	0~16Bar
Working temp.	0°C ~ 80°C
Valve body material	Brass
Seal material	NBR / VITON



CS-740

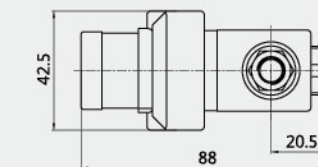
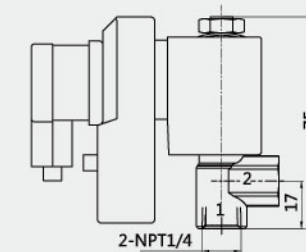


The structure of the product is easy and delicate.

Be used together with the timer, which can auto shift to ON or Off the valve

Parameters

Orifice	2.2mm
Pattern	Normally close
Rated voltage	AC/DC24~240V ±10%
Power	AC22VA/DC20W
Working pressure	0~17.5bar
Working temp.	0°C ~ 80°C
Valve body material	Brass
Seal material	NBR / VITON



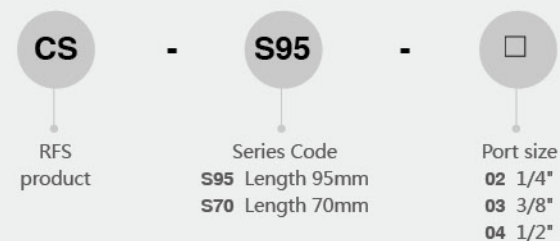
CS Strainer

S70/S95

Used alone or Together with CS-720 Series valve

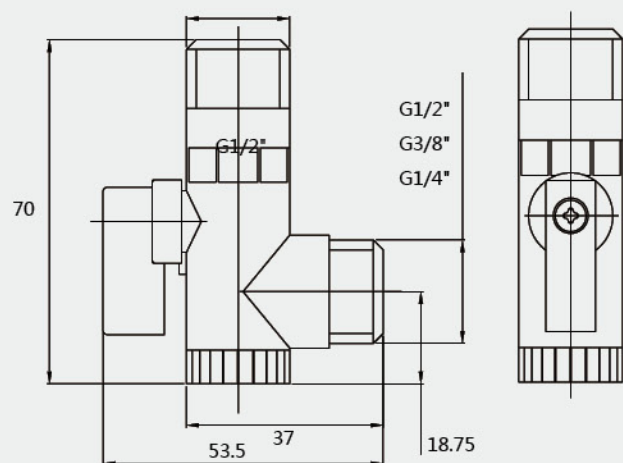


Ordering Code

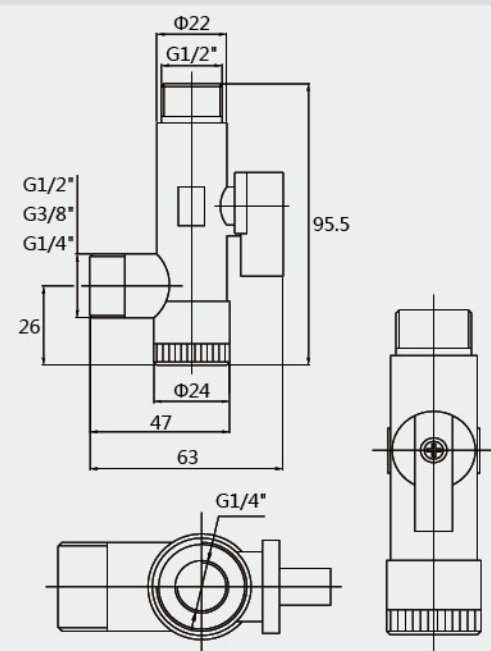


Overall Dimension

CS-S70 Strainer



CS-S95 Strainer



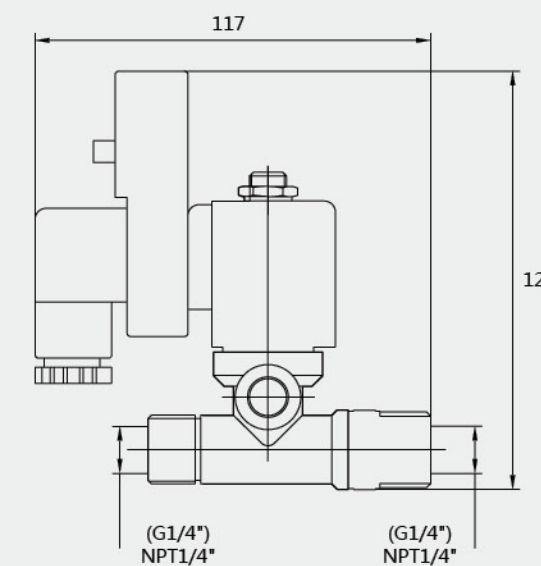
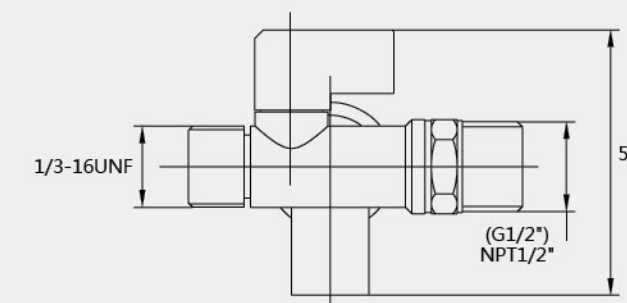
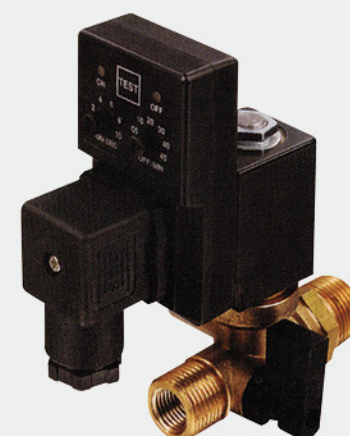
PS Drain Valve

PS

Combine filter ball valve and Timer control drain valve Together, Economic and benefits

Parameters

Orifice	4mm
Pattern	Normally close
Rated voltage	AC/DC24~240V ±10%
Power	AC22VA/DC20W
Working pressure	0~16Bar
Working temp.	-5~ 80°C
Valve body material	Brass
Seal material	NBR / VITON



➤ Float Type Drain Valve

RD50016-15G

Automatic Discharge, without human management and other functions

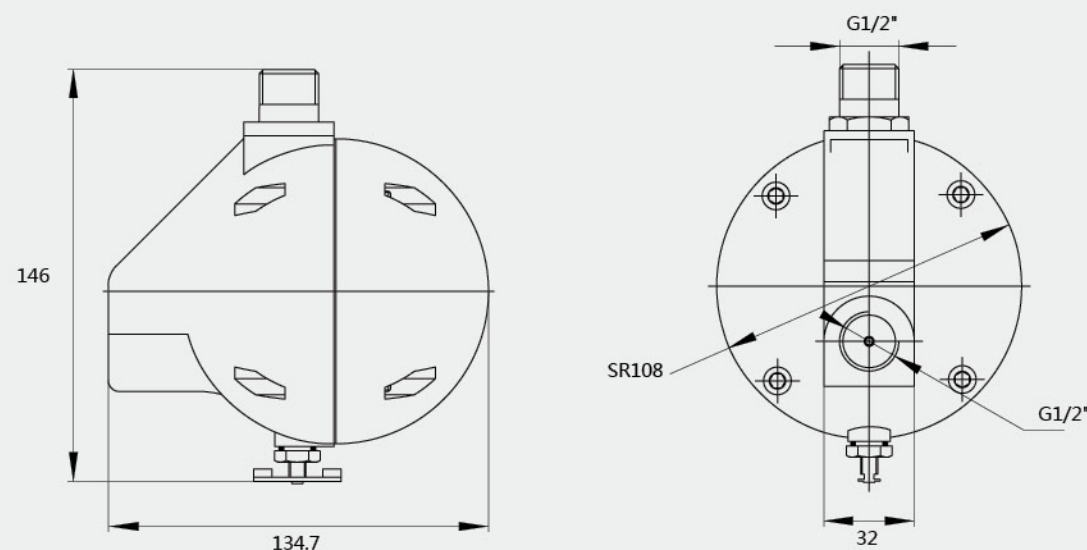
Parameters

Connection ports	G1/2"
Seal material	NBR
Media	Water
Working pressure	0~16bar
Working temp.	-10°C ~ 80°C
Working type	Leverage and Buoyancy type
Max. pressure	20bar
Valve body material	Aluminum



Feature

- 1、Automatic Discharge, without human management and other functions
- 2、When the water reaches a certain volume, Under the leverage and buoyancy Principle, discharge the water automatically
- 3、Overall ball type design, save the installation space
- 4、Directly Install on the inlet pipe , no need to install bolts



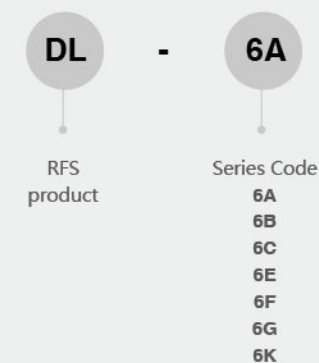
➤ DL Series Steam Valve

DL

- Installed on the Ironing equipments independent
- Fully made of heat resistant H class material
- Steam flow rate can be adjustable, Easy to operate
- Electrical parts good water-proof
- Insert pipe, Female-male thread, Adjustable and angle adjustable type for choose



Ordering Code



Parameters

Model	DL-6A	DL-6B	DL-6C	DL-6E	DL-6F	DL-6G	DL-6K
Media	Water / Steam / Clean Air						
Working type	2/2 Direct action						
Pattern	Normally close						
Orifice	2.5mm	2.5mm	2.7mm	2.5mm	2.5mm	2.5mm	2.5mm
Connection ports	Φ6Insert pipe, Male G1/8"	Male G1/4"	G1/4"	G1/4"	G1/4"	G1/4"	G1/4"
Working pressure	0~0.8MPa	0~0.8MPa	0~0.8MPa	0~2.5MPa	0~2.5MPa	0~1.0MPa	0~0.8MPa
Max. pressure	1.6MPa	1.6MPa	2.5MPa	3MPa	3MPa	3MPa	2.5MPa
Working temp.	0.1°C ~180°C						
Rated voltage	DC/AC24~240V ±10%						
Power	DC12W/AC15VA			DC20W/AC28VA		DC16W/AC19VA	DC12W/AC15VA
Protection class	IP65						
Insulation class	H class						
Valve body material	Brass						
Seal material	PTFE/FKM						