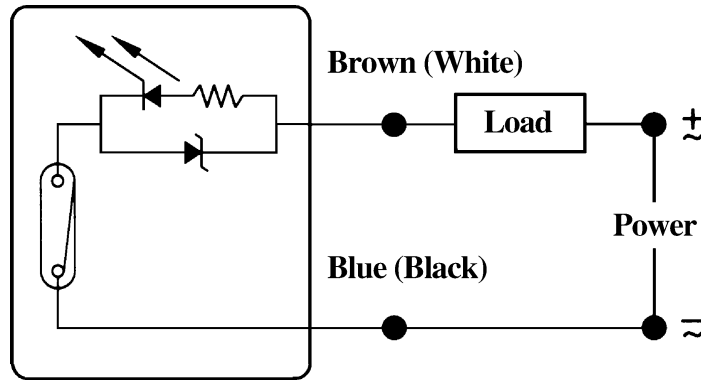


Magnet switch

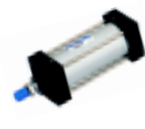



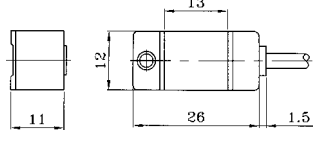
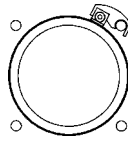



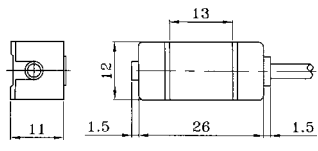
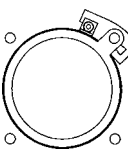

wiring diagram:





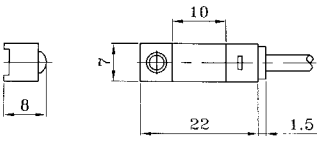
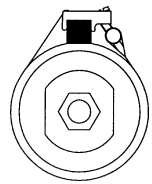


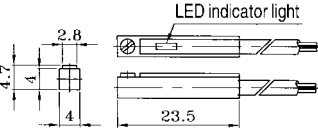
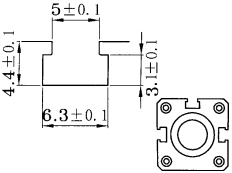

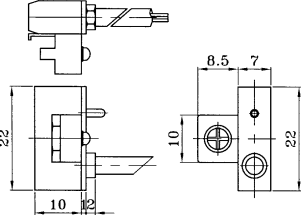
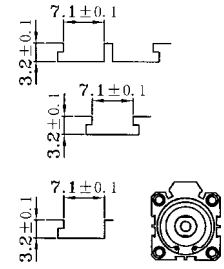
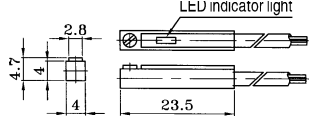
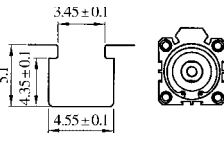

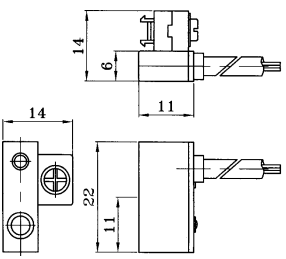
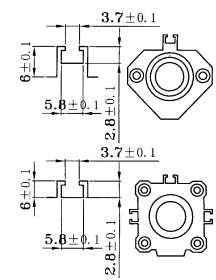
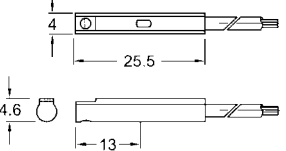
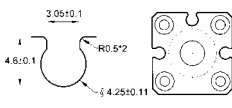
Echnical parameter:

sensor switch type	operating voltage range	Max.Flow switch	Max.contact rating	impact resistance	vibration resistance	Ambient temperature	Protection grade	Indicator light	Wire length
CS1-U	5~24V DC/AC	100A Max	10W Max	30G	9G	-10~70°C	IP-67	LED	2M
CS1-F	5~24V DC/AC	100A Max	10W Max	30G	9G	-10~70°C	IP-67	LED	2M
CS1-S	5~24V DC/AC	100A Max	10W Max	30G	9G	-10~70°C	IP-67	LED	2M
CS1-J	5~24V DC/AC	100A Max	10W Max	30G	9G	-10~70°C	IP-67	LED	2M
CS1-J1	5~24V DC/AC	100A Max	10W Max	30G	9G	-10~70°C	IP-67	LED	2M
CS1-G	5~24V DC/AC	100A Max	10W Max	30G	9G	-10~70°C	IP-67	LED	2M
CS1-H	5~24V DC/AC	100A Max	10W Max	30G	9G	-10~70°C	IP-67	LED	2M

Product application and Dimension:

Product application and dimension	Match magnet switch type	Switch Size	Switch Installation Drawing	Clamp Name & Code
SC  DNG  QGB 	CS1-U 			 PAM - 63 Accessories Type Inner diameter of cylinder
SU 	CS1-F 			 PI - 63 Accessories Type Inner diameter of cylinder

Product application and Dimension:

Product application and dimension	Match magnet switch type	Switch Size	Switch Installation Drawing	Clamp Name & Code
<p>MS</p>  <p>MAL</p> 	CS1-S			 <p>BK buckle fastener General type: Suitable for cylinder with 63 bore, bigger than 63 bore, can make to order</p>
	CS1-M			Clamp Needless
<p>SDA</p> 	CS1-J			Clamp Needless
	CS1-G			
<p>CQ</p> 	CS1-J1			Clamp Needless
	CS1-H			



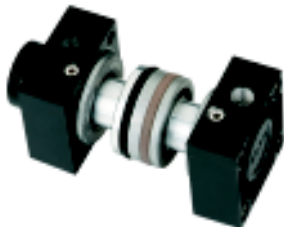
DNC、DNI Series Spare parts of Cylinder: ϕ 32~100

- Conforms to ISO15552 and VDMA24562 Standards
- Bore sizes: ϕ 32,40,50,63,80,100
- Adjustable cushioning at both the ends



DNG、DI Series Spare parts of Cylinder: ϕ 32~160

- Conforms to ISO15552 and VDMA24562 Standards
- Bore sizes: ϕ 32,40,50,63,80,100,125,160
- Adjustable cushioning at both the ends



SC Series Spare parts of Cylinder: ϕ 32~200

- Bore sizes: ϕ 32,40,50,63,80,100,125,160,200
- Adjustable cushioning at both the ends



MS Series Spare parts of Cylinder: ϕ 12~40

- Conforms to ISO6432 Standards
- Bore sizes: ϕ 12,16,20,25,32,40



MAL Series Spare parts of Cylinder: ϕ 20~40

- Conforms to ISO6432 Standards
- Bore sizes: ϕ 20,25,32,40



SDA Series Kits of Cylinder: ϕ 12~100

- Bore sizes: ϕ 12,16,20,25,32,40,50,63,80,100
- Standard strokes upto 100mm