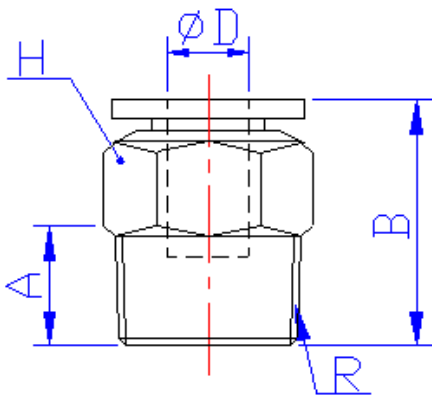
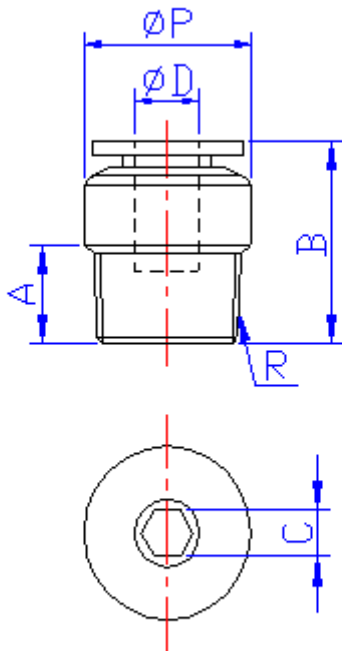


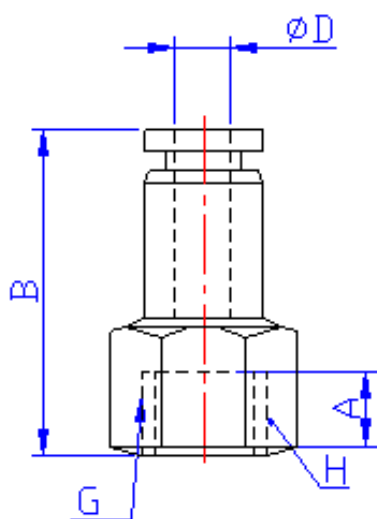
**PC**

MODEL	ΦD	R	A	B	H
PC04-M5	4	M5	3.8	20.1	10
PC04-M6		M6	4.5	20.8	
PC04-01		R1/8	7.0	19.3	
PC04-02		R1/4	9.5	17.9	14
PC06-M5	6	M5	3.8	21.2	12
PC06-M6		M6	4.5	21.7	
PC06-01		R1/8	7.0	20.4	
PC06-02		R1/4	9.5	22.7	14
PC06-03		R3/8	10.5	20.7	17
PC06-04		R1/2	13.5	24.7	21
PC08-01	8	R1/8	7.0	25.4	14
PC08-02		R1/4	9.5	24.9	
PC08-03		R3/8	10.5	21.9	17
PC08-04		R1/2	13.5	25.9	21
PC10-01	10	R1/8	7.0	27.7	17
PC10-02		R1/4	9.5	29.5	
PC10-03		R3/8	10.5	27.0	
PC10-04		R1/2	13.5	25.3	
PC12-02	12	R1/4	9.5	32.9	20
PC12-03		R3/8	10.5	29.9	
PC12-04		R1/2	13.5	32.9	
PC16-03	16	R3/8	10.5	37.6	24
PC16-04		R1/2	13.5	35.6	

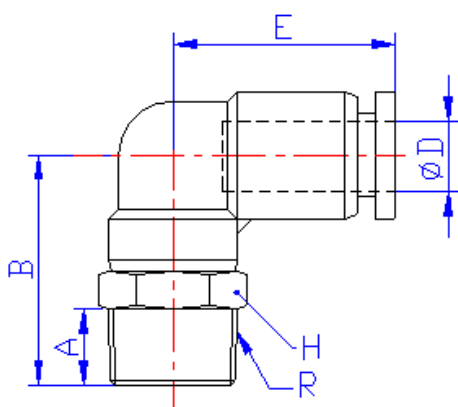
# POC



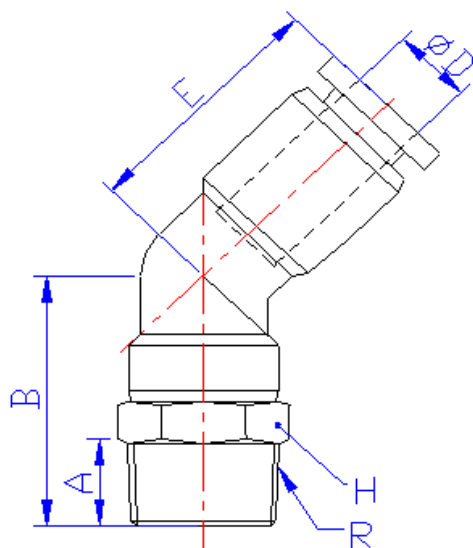
MODEL	ØD	R	A	B	ØP	C
POC04-M5	4	M5	3.8	20.1	10	2.0
POC04-M6		M6	4.5	20.8		
POC04-01		R1/8	7.0	19.3		
POC04-02		R1/4	9.5	17.9	14	3.0
POC06-M5	6	M5	3.8	21.0	12	2.0
POC06-M6		M6	4.5	21.7		
POC06-01		R1/8	7.0	20.4	14	4.0
POC06-02		R1/4	9.5	22.7		
POC06-03		R3/8	10.5	20.7		
POC08-01	8	R1/8	7.0	25.4	14	5.0
POC08-02		R1/4	9.5	24.9		
POC08-03		R3/8	10.5	21.9	17	6.0
POC08-04		R1/2	13.5	25.9	21	
POC10-01	10	R1/8	7.0	27.7	17	5.0
POC10-02		R1/4	9.5	29.5		6.0
POC10-03		R3/8	10.5	27.0		8.0
POC10-04		R1/2	13.5	25.3	21	
POC12-02	12	R1/4	9.5	32.9	20	6.0
POC12-03		R3/8	10.5	29.9		8.0
POC12-04		R1/2	13.5	32.9	21	

**PCF**

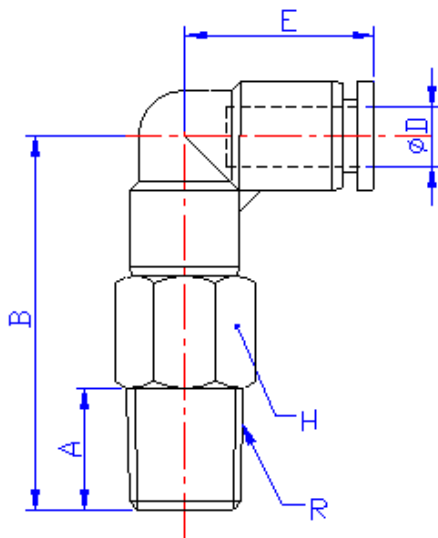
MODEL	ØD	G	A	B	H
PCF04-01	4	G1/8	7.0	22.3	14
PCF04-02		G1/4	9.0	25.3	17
PCF06-01	6	G1/8	7.0	24.4	14
PCF06-02		G1/4	9.0	26.4	17
PCF06-03		G3/8	10.0	27.4	19
PCF08-01	8	G1/8	7.0	25.9	14
PCF08-02		G1/4	9.0	27.9	17
PCF08-03		G3/8	10.0	28.9	19
PCF08-04		G1/2	12.0	30.9	24
PCF10-01	10	G1/8	7.0	27.7	17
PCF10-02		G1/4	9.0	29.7	
PCF10-03		G3/8	10.0	30.7	19
PCF10-04		G1/2	12.0	32.7	24
PCF12-02	12	G1/4	9.0	32.9	20
PCF12-03		G3/8	10.0	33.9	
PCF12-04		G1/2	12.0	35.9	24

**PL**

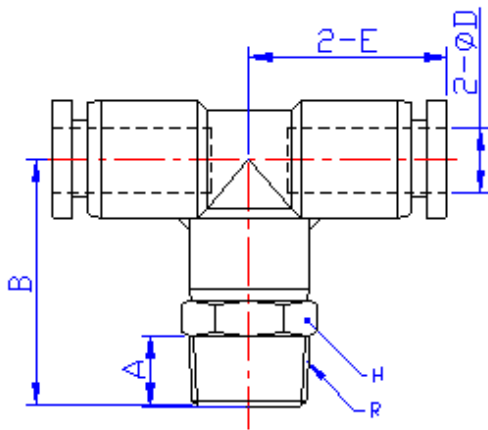
MODEL	ΦD	R	A	B	E	H
PL04-M5	4	M5	3.8	17.3	17.5	8
PL04-M6		M6	4.5	18.0		
PL04-01		R1/8	7.0	23.5		
PL04-02		R1/4	9.5	27.0		
PL06-M5	6	M5	3.8	17.3	19.0	8
PL06-M6		M6	4.5	18.0		
PL06-01		R1/8	7.0	25.2		
PL06-02		R1/4	9.5	28.2		
PL06-03		R3/8	10.5	29.7		
PL06-04		R1/2	13.5	33.2		
PL08-01	8	R1/8	7.0	29.0	22.8	14
PL08-02		R1/4	9.5	31.5		
PL08-03		R3/8	10.5	33.0		
PL08-04		R1/2	13.5	36.5		
PL10-01	10	R1/8	7.0	33.8	26.3	17
PL10-02		R1/4	9.5	36.3		
PL10-03		R3/8	10.5	37.3		
PL10-04		R1/2	13.5	40.8		
PL12-02	12	R1/4	9.5	38.5	29.6	21
PL12-03		R3/8	10.5	39.5		
PL12-04		R1/2	13.5	42.5		
PL16-03	16	R3/8	10.5	43.0	33.0	24
PL16-04		R1/2	13.5	46.0		

**PLH**

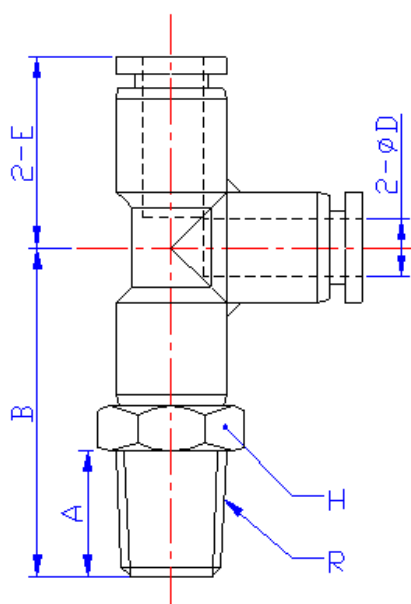
MODEL	ΦD	R	A	B	E	H
PLH04-M5	4	M5	3.8	20.0	16.2	10
PLH04-M6		M6	4.5	20.7		
PLH04-01		R1/8	7.0	22.2		
PLH04-02		R1/4	9.5	25.7		14
PLH06-M5	6	M5	3.8	21.7	17.7	12
PLH06-M6		M6	4.5	22.4		
PLH06-01		R1/8	7.0	23.9		
PLH06-02		R1/4	9.5	26.9		
PLH06-03		R3/8	10.5	28.4		
PLH06-04		R1/2	13.5	31.9		21
PLH08-01	8	R1/8	7.0	27.1	20.9	14
PLH08-02		R1/4	9.5	29.6		
PLH08-03		R3/8	10.5	31.1		
PLH08-04		R1/2	13.5	34.6		21
PLH10-01	10	R1/8	7.0	29.7	22.2	17
PLH10-02		R1/4	9.5	32.2		
PLH10-03		R3/8	10.5	33.2		
PLH10-04		R1/2	13.5	36.7		
PLH12-02	12	R1/4	9.5	35.2	26.3	21
PLH12-03		R3/8	10.5	36.2		
PLH12-04		R1/2	13.5	39.2		

**PLL**

MODEL	ΦD	R	A	B	E	H
PLL04-M5	4	M5	3.8	29.3	17.5	8
PLL04-M6		M6	4.5	30.0		
PLL04-01		R1/8	7.0	35.5		
PLL04-02		R1/4	9.5	39.0		
PLL06-M5	6	M5	3.8	31.3	19.0	8
PLL06-M6		M6	4.5	32.0		
PLL06-01		R1/8	7.0	39.2		
PLL06-02		R1/4	9.5	42.2		
PLL06-03		R3/8	10.5	43.7		
PLL06-04		R1/2	13.5	47.2		
PLL08-01	8	R1/8	7.0	44.3	22.8	14
PLL08-02		R1/4	9.5	46.8		
PLL08-03		R3/8	10.5	48.3		
PLL08-04		R1/2	13.5	51.8		
PLL10-01	10	R1/8	7.0	53.8	26.3	17
PLL10-02		R1/4	9.5	56.3		
PLL10-03		R3/8	10.5	57.3		
PLL10-04		R1/2	13.5	60.8		
PLL12-02	12	R1/4	9.5	61.5	29.6	21
PLL12-03		R3/8	10.5	62.5		
PLL12-04		R1/2	13.5	65.5		

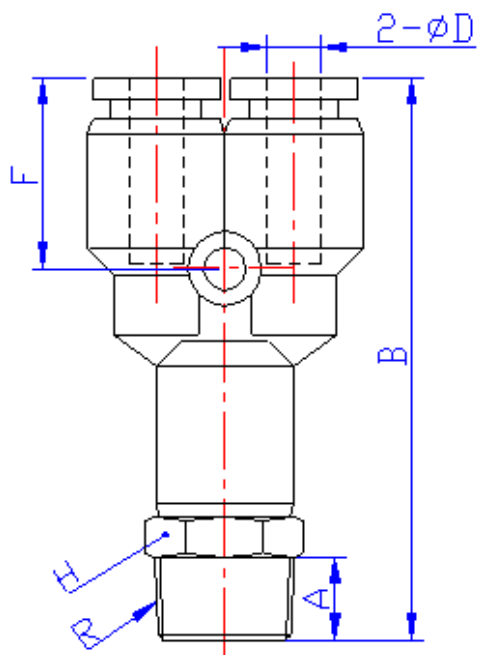
**PB**

MODEL	ΦD	R	A	B	E	H
PB04-M5	4	M5	3.8	22.3	18.5	10
PB04-M6		M6	4.5	23.0		
PB04-01		R1/8	7.0	24.5		14
PB04-02		R1/4	9.5	28.0		
PB06-M5	6	M5	3.8	23.3	19.3	12
PB06-M6		M6	4.5	24.0		
PB06-01		R1/8	7.0	25.5		14
PB06-02		R1/4	9.5	28.5		
PB06-03		R3/8	10.5	30.0		17
PB06-04		R1/2	13.5	33.5		
PB08-01	8	R1/8	7.0	29.0	22.75	14
PB08-02		R1/4	9.5	31.45		
PB08-03		R3/8	10.5	32.95		17
PB08-04		R1/2	13.5	36.45		
PB10-01	10	R1/8	7.0	34.5	27.0	17
PB10-02		R1/4	9.5	37.0		
PB10-03		R3/8	10.5	38.0		21
PB10-04		R1/2	13.5	41.5		
PB12-02	12	R1/4	9.5	38.5	29.6	21
PB12-03		R3/8	10.5	39.5		
PB12-04		R1/2	13.5	42.5		
PB16-03	16	R3/8	10.5	43.0	33.0	24
PB16-04		R1/2	13.5	46.0		

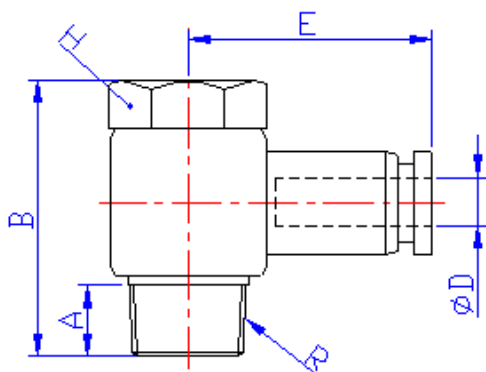
**PD**


MODEL	ΦD	R	A	B	E	H
PD04-M5	4	M5	3.8	22.3	18.5	10
PD04-M6		M6	4.5	23.0		
PD04-01		R1/8	7.0	24.5		
PD04-02		R1/4	9.5	28.0		14
PD06-M5	6	M5	3.8	23.3	19.3	12
PD06-M6		M6	4.5	24.0		
PD06-01		R1/8	7.0	25.5		
PD06-02		R1/4	9.5	28.5		
PD06-03		R3/8	10.5	30.0		
PD06-04		R1/2	13.5	33.5		21
PD08-01	8	R1/8	7.0	29.0	22.75	14
PD08-02		R1/4	9.5	31.45		17
PD08-03		R3/8	10.5	32.95		21
PD08-04		R1/2	13.5	36.45		
PD10-01	10	R1/8	7.0	34.5	27.0	17
PD10-02		R1/4	9.5	37.0		
PD10-03		R3/8	10.5	38.0		
PD10-04		R1/2	13.5	41.5		
PD12-02	12	R1/4	9.5	38.5	29.6	21
PD12-03		R3/8	10.5	39.5		
PD12-04		R1/2	13.5	42.5		

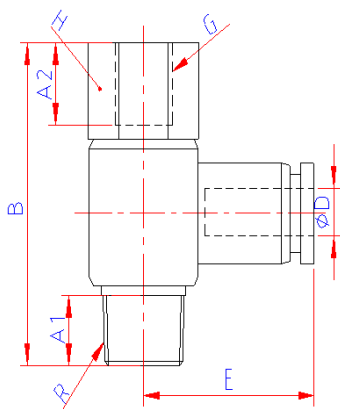


**PX**


MODEL	ΦD	R	A	B	F	H
PX04-M5	4	M5	3.8	39.3	14.0	10
PX04-M6		M6	4.5	40.0		
PX04-01		R1/8	7.0	41.5		14
PX04-02		R1/4	9.5	45.0		
PX06-M5	6	M5	3.8	41.1	14.8	12
PX06-M6		M6	4.5	41.8		
PX06-01		R1/8	7.0	43.3		14
PX06-02		R1/4	9.5	46.3		
PX06-03		R3/8	10.5	47.8		17
PX06-04		R1/2	13.5	51.3		
PX08-01	8	R1/8	7.0	46.6	18.2	14
PX08-02		R1/4	9.5	49.1		
PX08-03		R3/8	10.5	50.6		17
PX08-04		R1/2	13.5	54.1		
PX10-01	10	R1/8	7.0	54.6	19.5	17
PX10-02		R1/4	9.5	57.1		
PX10-03		R3/8	10.5	58.1		
PX10-04		R1/2	13.5	61.6		
PX12-02	12	R1/4	9.5	62.1	21.6	21
PX12-03		R3/8	10.5	63.1		
PX12-04		R1/2	13.5	66.1		

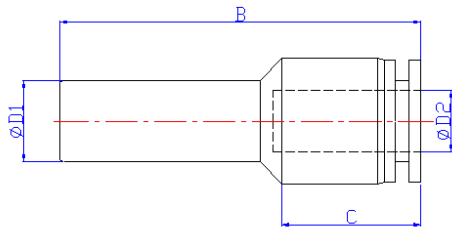
**PH**

MODEL	ΦD	R	A	B	H	E
PH04-M5	4	M5	4.0	18.0	8	20.0
PH04-M6		M6	4.5	18.5		
PH04-01		R1/8	7.0	23.0	10	
PH04-02		R1/4	9.5	26.3	14	
PH06-M5	6	M5	4.0	18.0	8	21.9
PH06-M6		M6	4.5	18.5		
PH06-01		R1/8	7.0	23.0	10	
PH06-02		R1/4	9.5	26.3	14	
PH06-03		R3/8	10.5	31.9	19	
PH08-01	8	R1/8	7.0	23.0	10	25.6
PH08-02		R1/4	9.5	26.3	14	28.6
PH08-03		R3/8	10.5	31.9	19	29.6
PH08-04		R1/2	13.5	38.6	24	32.6
PH10-02	10	R1/4	9.5	26.3	14	31.0
PH10-03		R3/8	10.5	31.9	19	31.6
PH10-04		R1/2	13.5	38.6	24	34.6
PH12-02	12	R1/4	9.5	26.3	14	33.5
PH12-03		R3/8	10.5	31.9	19	35.6
PH12-04		R1/2	13.5	38.6	24	36.6

**PHF**

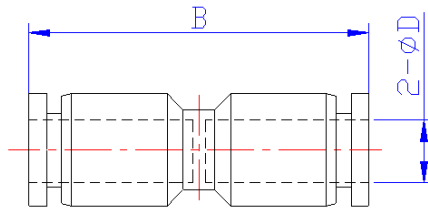
MODEL	ΦD	G	R	A1	A2	H	B	E
PHF04-M5	4	M5	M5	4.0	5.5	10	20.5	20.0
PHF04-M6		M6	M6	4.5	6.0		21.0	
PHF04-01		G1/8	R1/8	7.0	7.0	14	29.0	22.3
PHF04-02		G1/4	R1/4	9.5	9.0	17	33.3	24.1
PHF06-M5	6	M5	M5	4.0	5.5	10	20.5	21.9
PHF06-M6		M6	M6	4.5	6.0		21.0	
PHF06-01		G1/8	R1/8	7.0	7.0	14	29.0	23.1
PHF06-02		G1/4	R1/4	9.5	9.0	17	33.3	25.1
PHF06-03		G3/8	R3/8	10.5	10.0	19	39.9	26.8
PHF08-01	8	G1/8	R1/8	7.0	7.0	14	29.0	25.6
PHF08-02		G1/4	R1/4	9.5	9.0	17	33.3	28.6
PHF08-03		G3/8	R3/8	10.5	10.0	19	39.9	29.6
PHF08-04		G1/2	R1/2	13.5	12.0	24	46.5	32.6
PHF10-02	10	G1/4	R1/4	9.5	9.0	17	33.3	31.0
PHF10-03		G3/8	R3/8	10.5	10.0	19	39.9	31.6
PHF10-04		G1/2	R1/2	13.5	12.0	24	46.5	34.6
PHF12-02	12	G1/4	R1/4	9.5	9.0	17	33.3	33.5
PHF12-03		G3/8	R3/8	10.5	10.0	19	39.9	35.6
PHF12-04		G1/2	R1/2	13.5	12.0	24	46.5	36.6

# PGJ



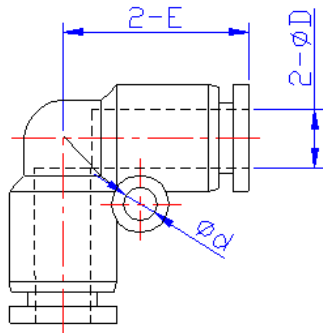
MODEL	$\phi D1$	$\phi D2$	B	C
PGJ06-04	6	4	39.5	14.0
PGJ08-04	8		41.5	14.0
PGJ08-06	10	6	41.8	14.3
PGJ10-06		8	46.8	17.3
PGJ10-08	12	6	47.3	17.8
PGJ12-06		8	51.8	19.3
PGJ12-08		10	52.3	19.8
PGJ12-10			51.5	19.0

# PU



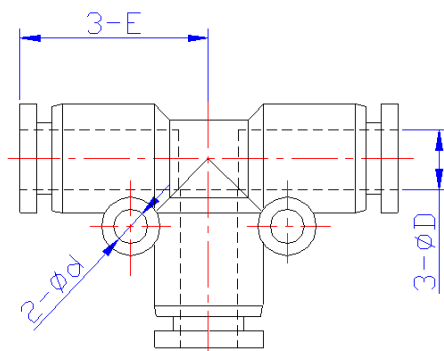
MODEL	$\phi D$	B
PU04	4	33.0
PU06	6	35.2
PU08	8	39.1
PU10	10	45.2
PU12	12	49.2
PU16	16	51.0

# PV



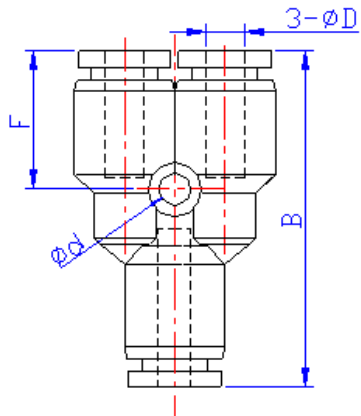
MODEL	$\phi D$	$\phi d$	E
PV04	4	3.2	17.5
PV06	6	3.2	19.0
PV08	8	3.2	22.8
PV10	10	4.2	26.3
PV12	12	4.3	29.6
PV14	14	5.1	31.7
PV16	16	5.1	33.0

# PE



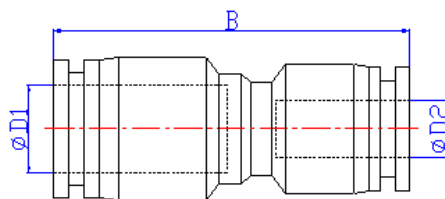
MODEL	$\phi D$	$\phi d$	E
PE04	4	3.2	18.5
PE06	6	3.2	19.3
PE08	8	3.2	22.75
PE10	10	4.2	27.0
PE12	12	4.3	29.6
PE14	14	5.1	31.7
PE16	16	5.1	33.0

# PY



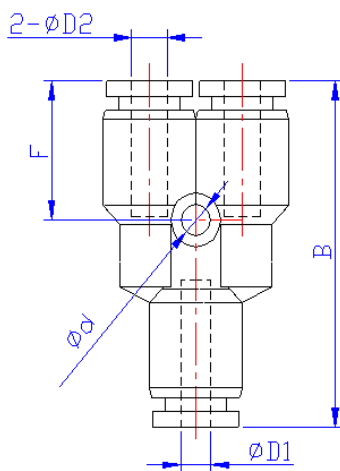
MODEL	$\phi D$	$\phi d$	B	F
PY04	4	3.2	35.5	14.0
PY06	6	3.2	37.1	14.8
PY08	8	3.2	40.4	18.2
PY10	10	4.2	47.1	19.5
PY12	12	4.2	53.2	21.6

# PG



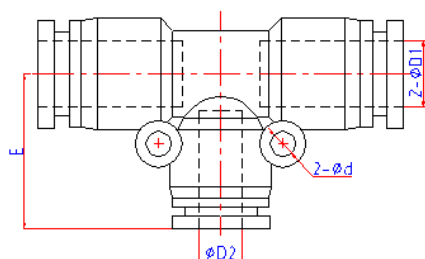
MODEL	$\phi D1$	$\phi D2$	B
PG06-04	6	4	33.6
PG08-06	8	6	36.1
PG10-08	10	8	41.8
PG12-10	12	10	46.1
PG14-10	14	10	46.7
PG14-12	14	12	48.3
PG16-12	16	12	50.1

# PW



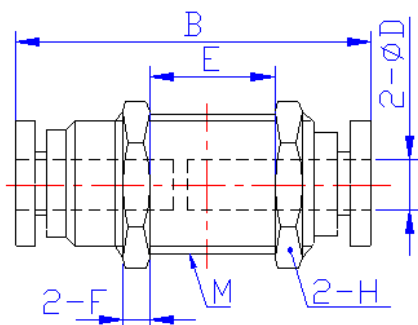
MODEL	$\phi D1$	$\phi D2$	$\phi d$	B	F
PW06-04	6	4	3.2	36.8	14.5
PW08-06	8	6	3.2	39.9	17.7
PW10-08	10	8	4.2	47.9	20.3
PW12-10	12	10	4.2	51.6	20.0

# PEG



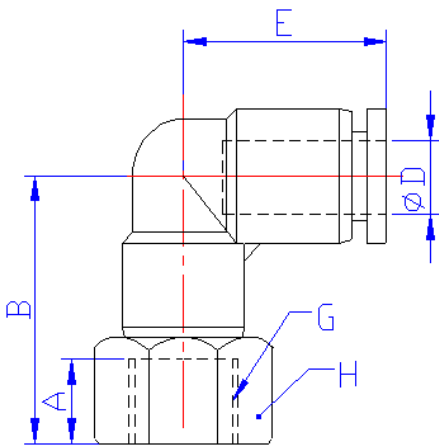
MODEL	$\phi D1$	$\phi D2$	$\phi d$	E	F
PEG06-04	6	4	3.2	19.5	38.6
PEG08-06	8	6	3.2	20.3	45.5
PEG10-08	10	8	4.2	24.8	54.0
PEG12-10	12	10	4.2	28.5	59.2
PEG16-12	16	12	5.1	32.1	66.0

# PM



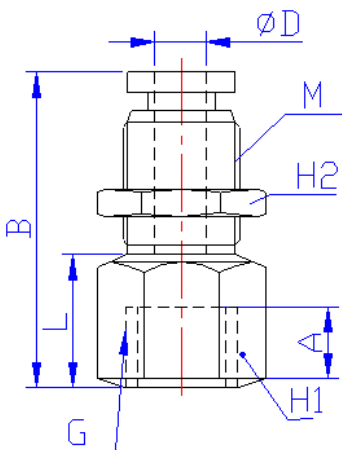
MODEL	$\phi D$	M	E	B	H	F
PM04	4	M12	9.7	30.1	14	3.5
PM06	6	M14	7.5	31.8	17	4.0
PM08	8	M16	6.8	35.3	19	4.5
PM10	10	M20	11.5	39.0	24	5.0
PM12	12	M22	12.8	45.3	27	5.0

# PLF



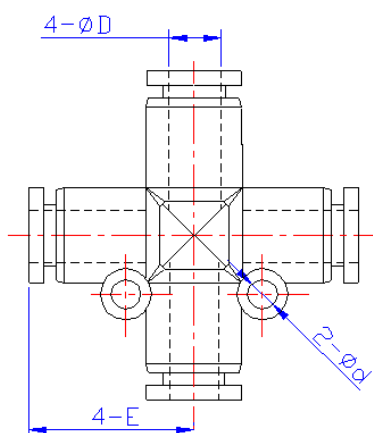
MODEL	ΦD	G	A	B	E	H
PLF04-M5	4	M5	4.5	19.5	17.5	10
PLF04-M6		M6	5.0	20.0		
PLF04-01		G1/8	7.0	23.0		
PLF04-02		G1/4	9.0	25.0		
PLF06-M5	6	M5	4.5	20.7	19.0	12
PLF06-M6		M6	5.0	21.2		
PLF06-01		G1/8	7.0	24.4		
PLF06-02		G1/4	9.0	26.4		
PLF06-03		G3/8	10.0	27.7		
PLF08-01	8	G1/8	7.0	27.3	22.8	14
PLF08-02		G1/4	9.0	29.5		17
PLF08-03		G3/8	10.0	31.0		19
PLF08-04		G1/2	12.0	33.0		24
PLF10-01	10	G1/8	7.0	27.3	26.3	17
PLF10-02		G1/4	9.0	33.8		19
PLF10-03		G3/8	10.0	35.3		24
PLF10-04		G1/2	12.0	37.8		
PLF12-02	12	G1/4	9.0	29.0	29.6	21
PLF12-03		G3/8	10.0	37.0		
PLF12-04		G1/2	12.0	39.5		

# PMF



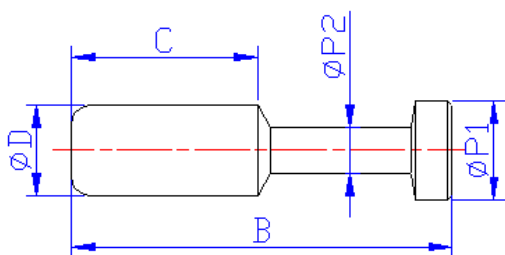
MODEL	ΦD	G	M	A	H1	H2	L	B
PMF04-01	4	G1/8	M12	7.0	14	14	9.5	23.3
PMF04-02		G1/4		9.0	17		11.6	25.4
PMF06-01	6	G1/8	M14	7.0	17	17	7.0	24.2
PMF06-02		G1/4		9.0	17		12.0	29.2
PMF06-03		G3/8		10.0	19		13.0	30.2
PMF08-01	8	G1/8	M16	7.0	19	19	5.0	27.4
PMF08-02		G1/4		9.0	19		12.0	34.4
PMF08-03		G3/8		10.0	19		13.0	34.4
PMF08-04		G1/2		12.0	24		15.0	36.4
PMF10-01	10	G1/8	M20	7.0	21	24	7.7	28.4
PMF10-02		G1/4		9.0	21		9.7	30.4
PMF10-03		G3/8		10.0	21		13.0	33.7
PMF10-04		G1/2		12.0	24		15.0	35.7
PMF12-02	12	G1/4	M22	9.0	24	27	9.1	33.5
PMF12-03		G3/8		10.0	24		10.0	34.4
PMF12-04		G1/2		12.0	24		15.0	39.4

# PZA



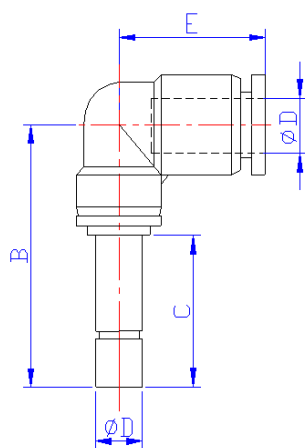
MODEL	$\Phi D$	$\Phi d$	E
PZA04	4	3.2	17.5
PZA06	6	3.2	19.3
PZA08	8	3.2	22.75
PZA10	10	4.2	27.0
PZA12	12	4.3	29.6

# PP



MODEL	$\Phi D$	B	$\Phi P1$	$\Phi P2$	C
PP04	4	28.0	5	3	15.0
PP06	6	33.0	7	3	17.0
PP08	8	37.0	9	4	18.0
PP10	10	42.0	11.0	5	20.5
PP12	12	44.0	13.0	6	23.0

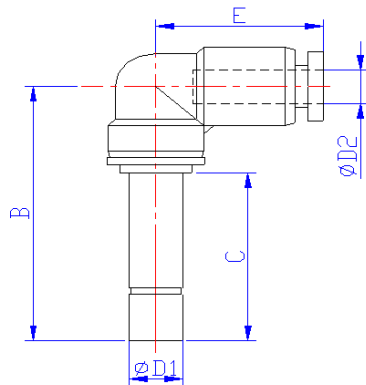
# PLJ



MODEL	$\Phi D$	B	E	C
PLJ04	4	33.0	17.5	16.0
PLJ06	6	36.2	19.0	18.0
PLJ08	8	42.5	22.8	21.0
PLJ10	10	50.8	26.3	24.0
PLJ12	12	54.5	29.6	26.0

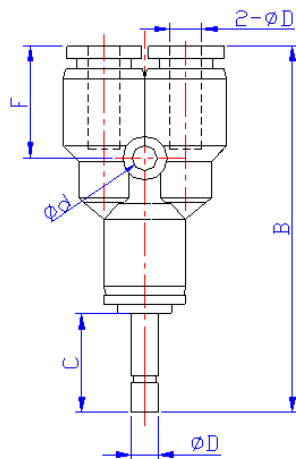


# PLGJ



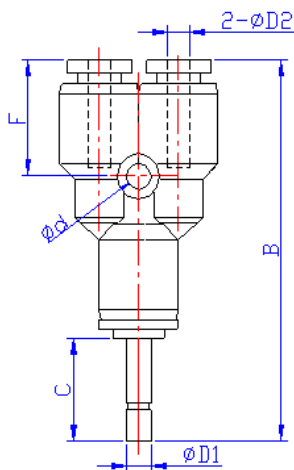
MODEL	ØD1	ØD2	B	E	C
PLGJ06-04	6	4	35.0	17.5	18.0
PLGJ08-06	8	6	39.2	19.0	21.0
PLGJ10-08	10	8	46.5	22.8	24.0
PLGJ12-10	12	10	52.8	26.3	26.0

# PYJ



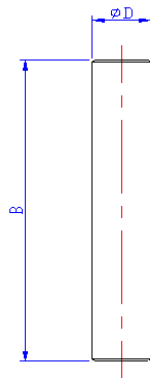
MODEL	ØD	Ød	B	F	C
PYJ 04	4	3.2	51.0	14.0	16.0
PYJ 06	6	3.2	54.3	14.8	18.0
PYJ 08	8	3.2	60.1	18.2	21.0
PYJ 10	10	4.2	71.6	19.5	24.0
PYJ 12	12	4.2	78.1	21.6	26.0

# PWJ



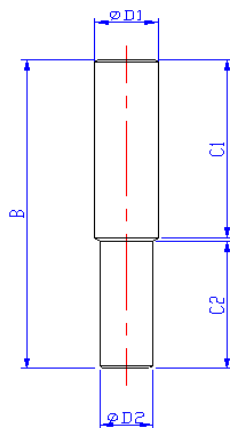
MODEL	ØD1	ØD2	Ød	B	F	C
PWJ06-04	6	4	3.2	53.0	14.0	18.0
PWJ08-06	8	6	3.2	57.3	14.8	21.0
PWJ10-08	10	8	4.2	64.1	18.2	24.0
PWJ12-10	12	10	4.2	73.6	19.5	26.0

# PIJ



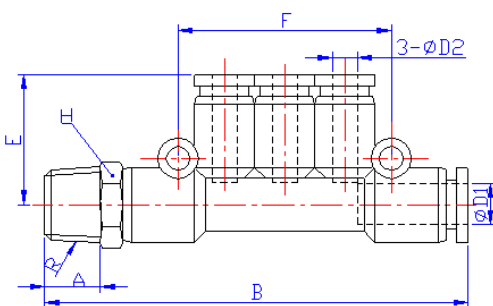
MODEL	ØD	B
PIJ 04	4	35
PIJ 06	6	37
PIJ 08	8	41
PIJ 10	10	51
PIJ 12	12	54
PIJ 16	16	58

# PIG



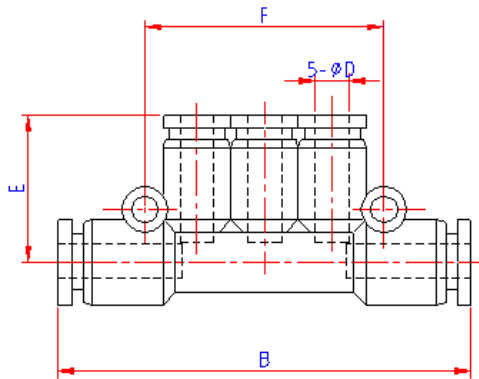
MODEL	ØD1	ØD2	C1	C2	B
PIG06-04	6	4	18	17	36
PIG08-06	8	6	20	18	39
PIG10-08	10	8	25	20	46
PIG12-10	12	10	27	26	54
PIG16-12	16	12	28	28	56

# PKD



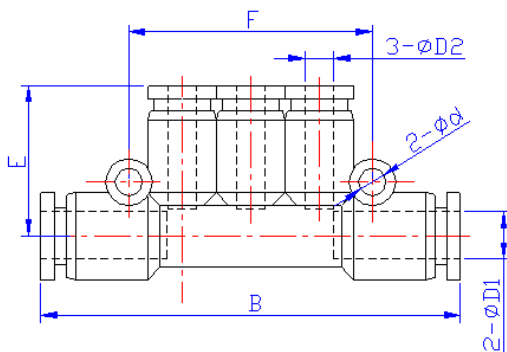
MODEL	ØD1	ØD2	H	R	E	F	B	A
PKD06-04-01	6	4	12	R1/8	19.0	36	63.8	7.0
PKD08-04-02	8		14	R1/4	20.0	42	71.3	9.5
PKD08-06-02		6			20.3			
PKD10-08-03	10	8	17	R3/8	24.3	48	91.0	10.5

# PK



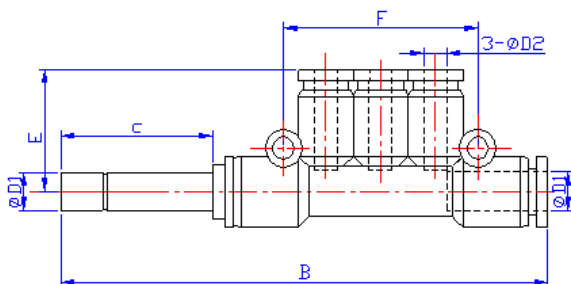
MODEL	ΦD	F	E	B
PK04	4	36	19	57.0
PK06	6	42	20.3	61.6
PK08	8	48	24.3	81.6

# PKG



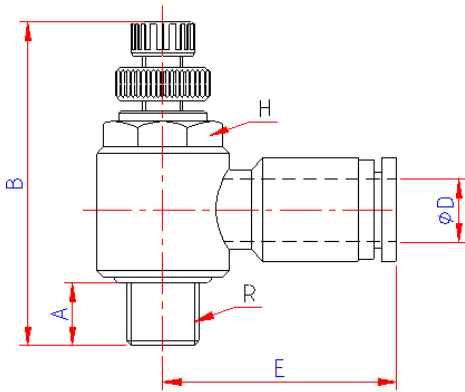
MODEL	ΦD1	ΦD2	E	F	B	Φd
PKG06-04	6	4	19.0	36	57.6	3.2
PKG08-04	8		20.0			3.2
PKG08-06	8	6	20.3	42	62.6	3.2
PKG10-06			23.8			4.2
PKG10-08	10	8	24.3	48	80.0	4.2

# PKJ



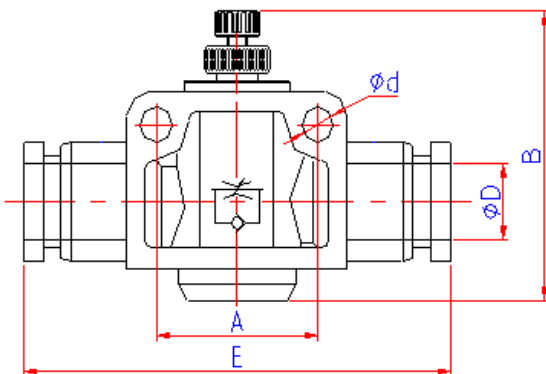
MODEL	ΦD1	ΦD2	E	F	B	C
PKJ06-04	6	4	19.0	36	74.8	18
PKJ08-04	8		20.0			21
PKJ08-06	8	6	20.3	42	82.3	24
PKJ10-06			23.8			
PKJ10-08	10	8	24.3	48	104.5	24

# JSC



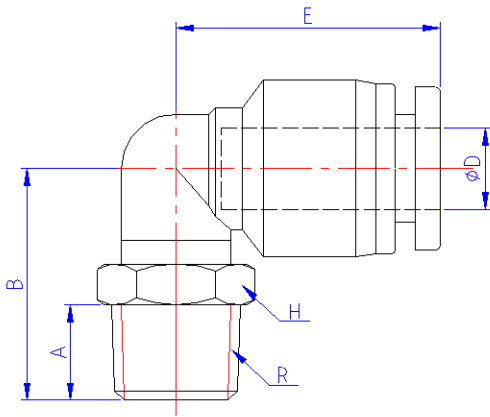
MODEL	ΦD	R	A	H	E	B(max)
JSC04-M5	4	M5	4.0	8	20.0	29.3
JSC04-01		R1/8	7.0	10	22.3	39.7
JSC04-02		R1/4	9.5	14	24.1	46.4
JSC06-M5	6	M5	4.0	8	21.9	29.3
JSC06-01		R1/8	7.0	10	23.1	39.7
JSC06-02		R1/4	9.5	14	25.1	46.4
JSC06-03		R3/8	10.5	19	26.8	53.4
JSC06-04	R1/2	13.5	24	29.8	57.9	
JSC08-01	8	R1/8	7.0	10	25.6	39.7
JSC08-02		R1/4	9.5	14	28.6	46.4
JSC08-03		R3/8	10.5	19	29.6	53.4
JSC08-04		R1/2	13.5	24	32.6	57.9
JSC10-01	10	R1/8	7.0	10	28.8	39.7
JSC10-02		R1/4	9.5	14	31.0	46.4
JSC10-03		R3/8	10.5	19	31.6	53.4
JSC10-04		R1/2	13.5	24	34.6	57.9
JSC12-02	12	R1/4	9.5	14	33.5	46.4
JSC12-03		R3/8	10.5	19	35.6	53.4
JSC12-04		R1/2	13.5	24	36.6	57.9

# JSU



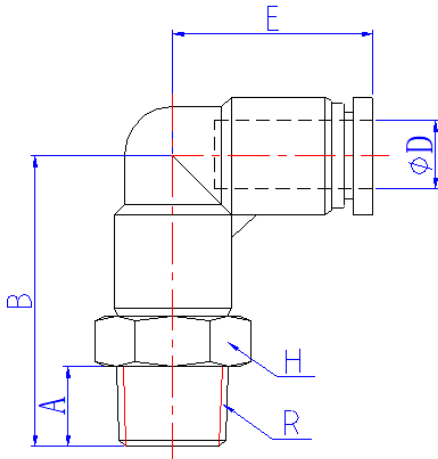
MODEL	ΦD	Φd	A	B	E
JSU04	4	3.2	14	28.8	39.5
JSU06	6	4.3	20	42.6	47.6
JSU08	8	4.3	22	44.3	52.6
JSU10	10	4.3	26	53.4	60.5
JSU12	12	4.3	32	55.6	74.2

# PLS(WTSL-PT)



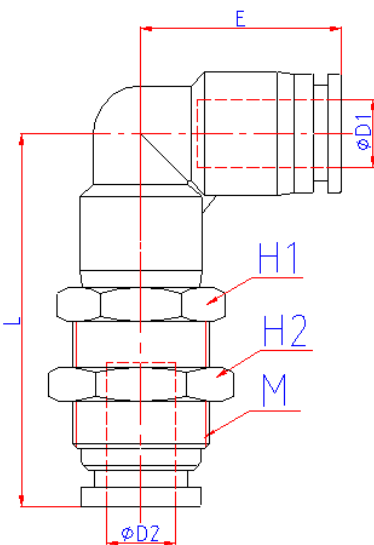
MODEL	$\phi D$	R	A	B	E	H
PLS04-M5	4	M5	3.8	15.3	17.5	8.0
PLS04-01		R1/8	7.0	16.0		10.0
PLS04-02		R1/4	9.5	19.5		14.0
PLS06-M5	6	M5	3.8	15.3	19.0	8.0
PLS06-01		R1/8	7.0	17.0		10.0
PLS06-02		R1/4	9.5	20.5		14.0
PLS06-03		R3/8	10.5	22.0		17.0
PLS06-04		R1/2	13.5	25.5		21.0
PLS08-01	8	R1/8	7.0	21.3	22.8	12.0
PLS08-02		R1/4	9.5	21.5		14.0
PLS08-03		R3/8	10.5	23.0		17.0
PLS08-04		R1/2	13.5	26.5		21.0
PLS10-01	10	R1/8	7.0	25.5	26.3	14.0
PLS10-02		R1/4	9.5	26.0		17.0
PLS10-03		R3/8	10.5	25.0		21.0
PLS10-04		R1/2	13.5	28.5		21.0
PLS12-02	12	R1/4	9.5	29.5	29.6	17.0
PLS12-03		R3/8	10.5	26.5		21.0
PLS12-04		R1/2	13.5	30.0		21.0

# PLLS



MODEL	$\phi D$	R	A	B	E	H
PLLS04-M5	4	M5	3.8	27.3	17.5	8.0
PLLS04-01		R1/8	7.0	28.0		10.0
PLLS04-02		R1/4	9.5	31.5		14.0
PLLS06-M5	6	M5	3.8	29.3	19.0	8.0
PLLS06-01		R1/8	7.0	31.0		12.0
PLLS06-02		R1/4	9.5	34.5		14.0
PLLS06-03		R3/8	10.5	36.0		17.0
PLLS06-04		R1/2	13.5	39.5		21.0
PLLS08-01	8	R1/8	7.0	36.6	22.8	14.0
PLLS08-02		R1/4	9.5	36.8		17.0
PLLS08-03		R3/8	10.5	38.3		21.0
PLLS08-04		R1/2	13.5	41.8		21.0
PLLS10-01	10	R1/8	7.0	45.5	26.3	17.0
PLLS10-02		R1/4	9.5	46.0		21.0
PLLS10-03		R3/8	10.5	45.0		21.0
PLLS10-04		R1/2	13.5	48.5		21.0
PLLS12-02	12	R1/4	9.5	52.5	29.6	21.0
PLLS12-03		R3/8	10.5	49.5		21.0
PLLS12-04		R1/2	13.5	53.0		21.0

# PLM



MODEL	$\phi D1$	$\phi D2$	L	E	H1	H2	M
PLM04	4	4	28.5	17.5	14	14	M12x1.0
PLM06	6	6	34.1	19.0	17	17	M14x1.0
PLM08	8	8	43.4	22.8	17	19	M16x1.0
PLM10	10	10	45.5	26.3	21	24	M20x1.0
PLM12	12	12	51.6	29.6	24	27	M22x1.0