

Solenoid Valve/Air Control Valve

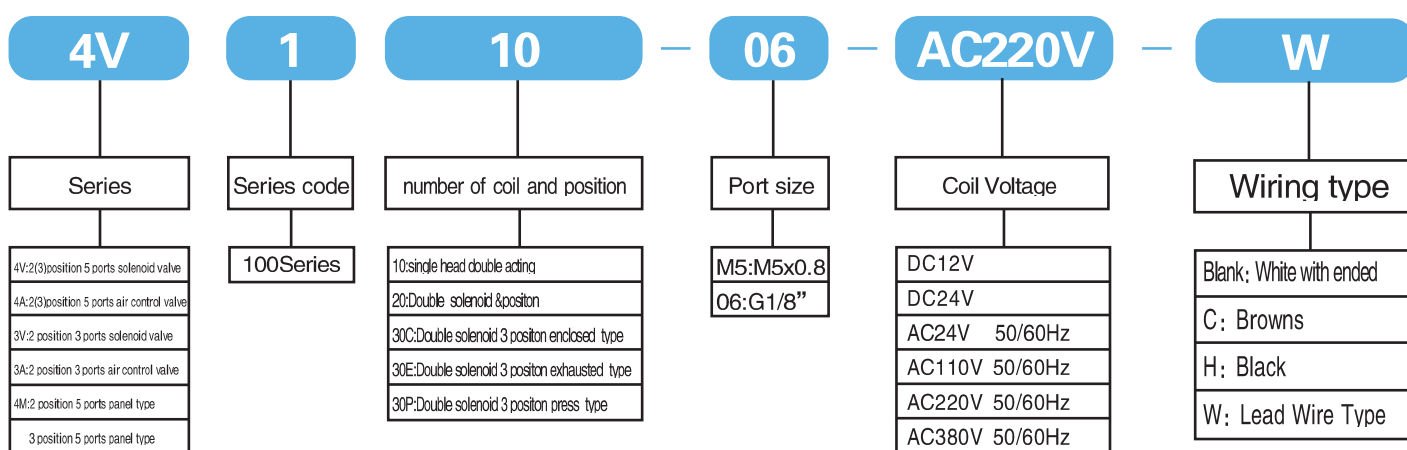
Characteristics:

- Service life: 10 million cycle times.
- The bodies are mirror finished and hardening treated.
- Equipped with imported oil seals with smaller friction and longer service life.
- With imported coils, low power consumption, speedy response.
- Capable of long service time without being damaged.

Specification:

Type	4V110-M5	4V120-M5	4V130C-M5	4V130E-M5	4V130P-M5	4V110-06	4V120-06	4V130C-06	4V130E-06	4V130P-06
	4A110-M5	4A120-M5	4A130C-M5	4A130E-M5	4A130P-M5	4A110-06	4A120-06	4A130C-06	4A130E-06	4A130P-06
Position number	Two Position Five Way		Three Position Five Way			Two Position Five Way		Three Position Five Way		
Effective sectional area	10mm ² (CV=0.56)		7mm ² (CV=0.40)			12mm ² (CV=0.67)		9mm ² (CV=0.50)		
Type	3V110-M5	3V120-M5	3A110-M5	3A120-M5		3V110-06	3V120-06	3A110-06	3A120-06	
Position number	Two Position Three Way					Two Position Three Way				
Effective sectional area	10mm ² (CV=0.56)					12mm ² (CV=0.67)				
Port size	input=output=exhausted=M5 × 0.8					input=output=exhausted=G1/8"				
Fluid	Air									
Acting type	Internally pilot-actuated									
Working pressure MPa	0.15~0.8									
Ambient temperature °C	-5~50									
Voltage range	± 10%									
Power consumption	AC:2.5VA DC:2.5W									
Insulation & Protection level	Grade F, IP65									
Wiring Form	Out wire or end type									
Max. Fluence	5 times/minute									

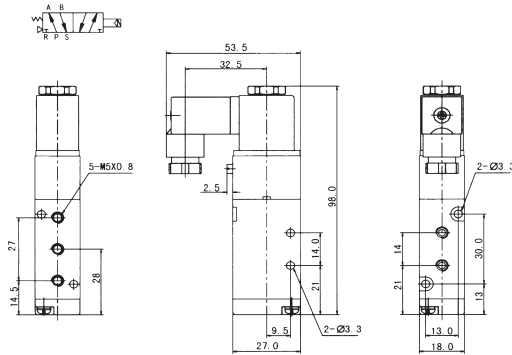
How to order:



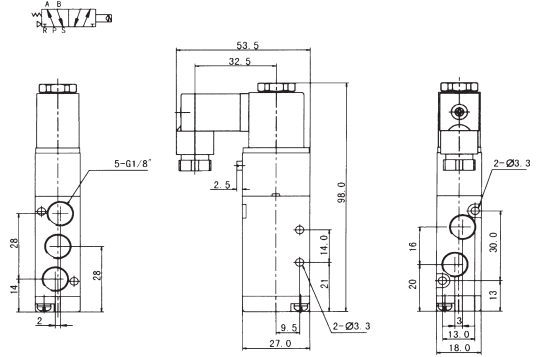
Solenoid Valve/Air Control Valve

Dimensions:

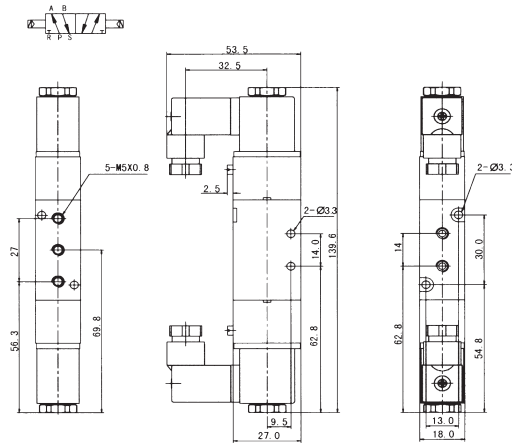
■ 4V110-M5



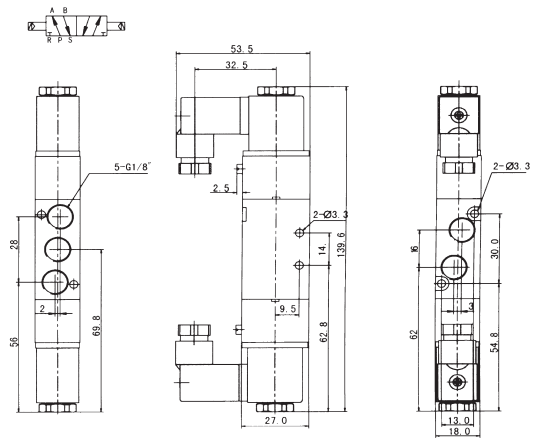
■ 4V110-06



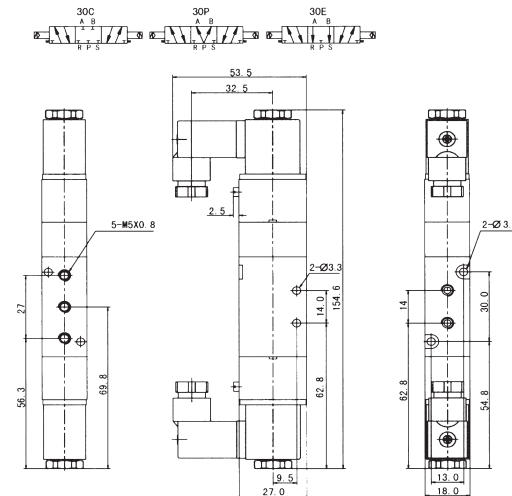
■ 4V120-M5



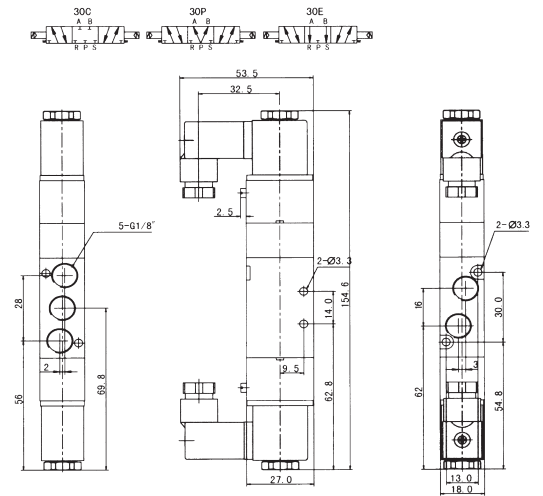
■ 4V120-06



■ 4V130-M5



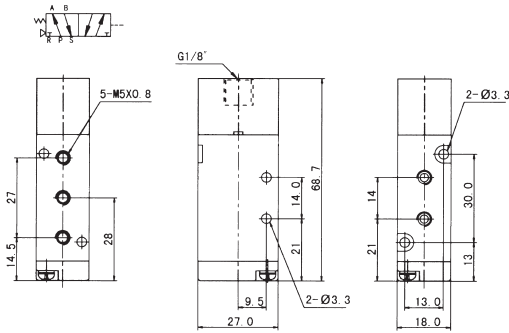
■ 4V130-06



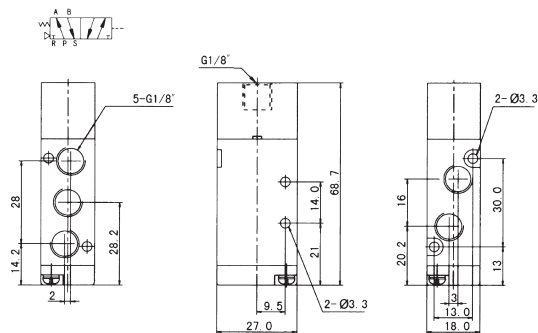
Solenoid Valve/Air Control Valve

Dimensions:

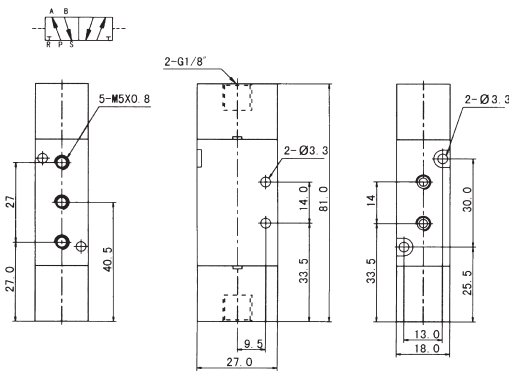
4A110-M5



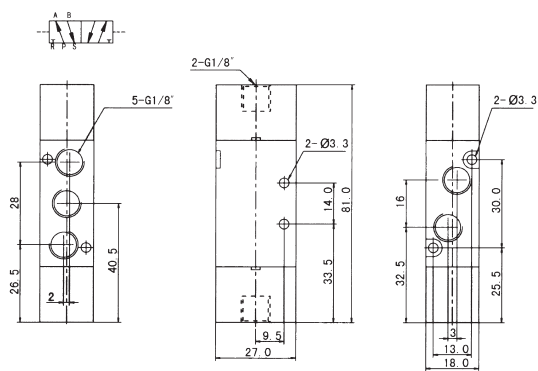
4A110-06



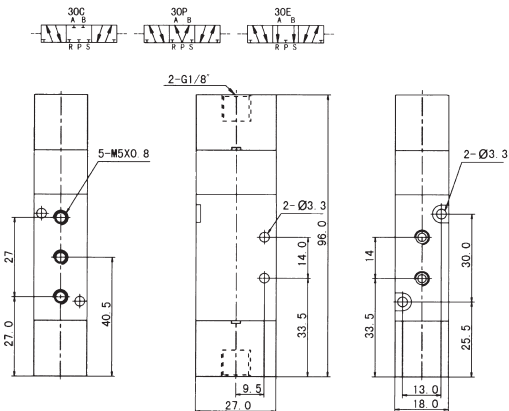
4A120-M5



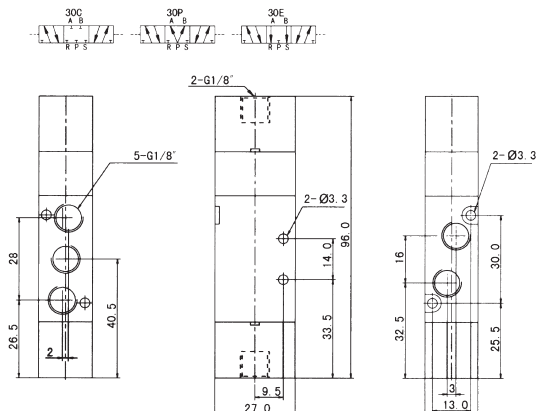
4A120-06



4A130-M5



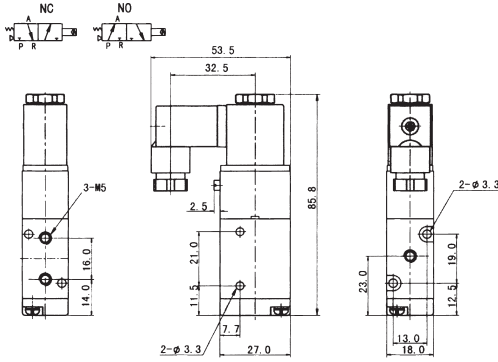
4A130-06



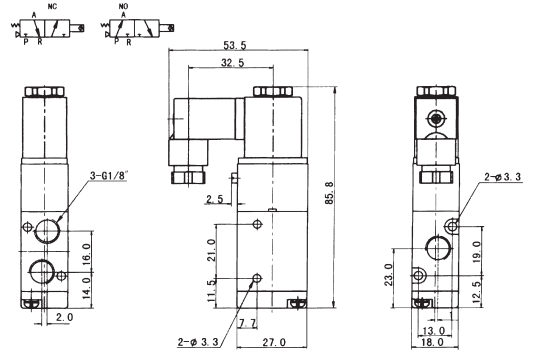
Solenoid Valve/Air Control Valve

Dimensions:

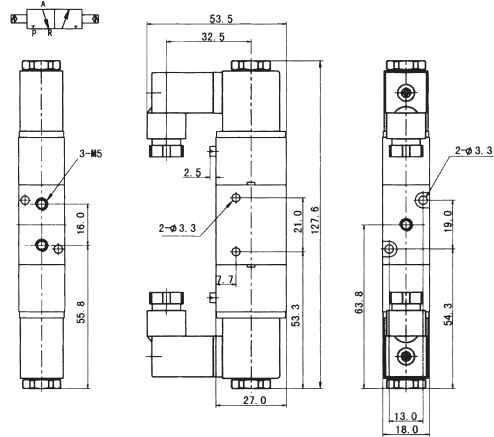
■ 3V110-M5



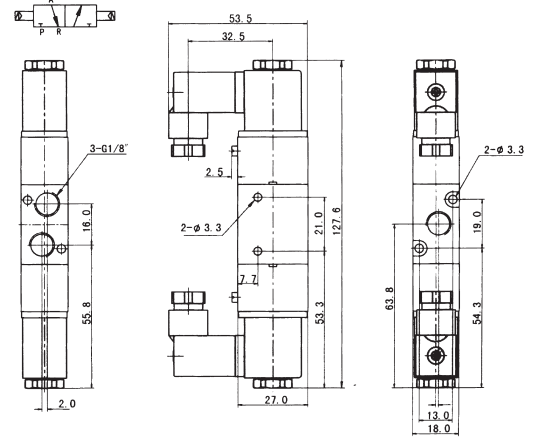
■ 3V110-06



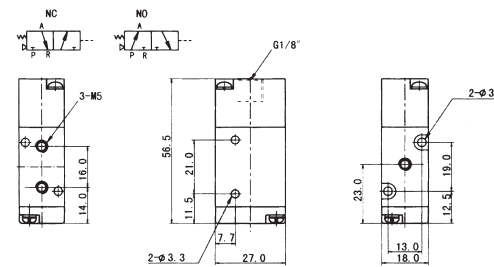
■ 3V120-M5



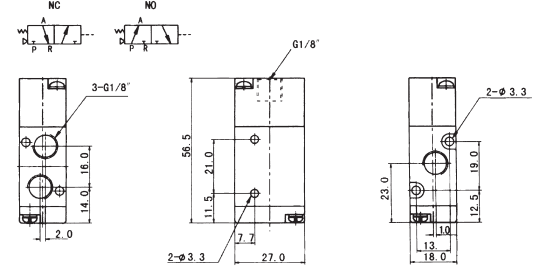
■ 3V120-06



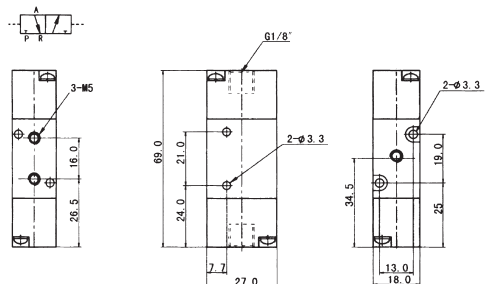
■ 3A110-M5



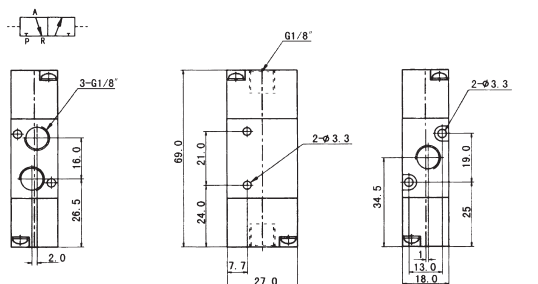
■ 3A110-06



■ 3A120-M5



■ 3A120-06



Solenoid Valve/Air Control Valve

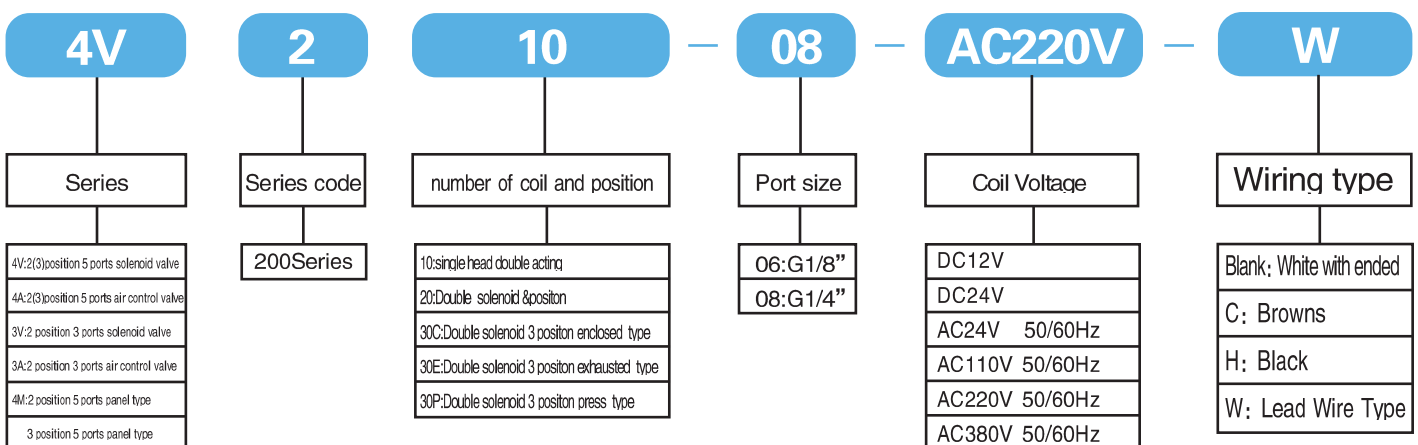
Characteristics:

- Service life: 10 million cycle times.
- The bodies are mirror finished and hardening treated.
- Equipped with imported oil seals with smaller friction and longer service life.
- With imported coils, low power consumption, speedy response.
- Capable of long service time without being damaged.

Specification:

Type	4V210-06	4V220-06	4V230C-06	4V230E-06	4V230P-06	4V210-08	4V220-08	4V230C-08	4V230E-08	4V230P-08
	4A210-06	4A220-06	4A230C-06	4A230E-06	4A230P-06	4A210-08	4A220-08	4A230C-08	4A230E-08	4A230P-08
Position number	Two Position Five Way		Three Position Five Way		Two Position Five Way		Three Position Five Way			
Effective sectional area	14mm ² (CV=0.78)		12mm ² (CV=0.67)		16mm ² (CV=0.89)		12mm ² (CV=0.67)			
Type	3V210-06	3V220-06	3A210-06	3A220-06	3V210-08	3V220-08	3A210-08	3A220-08		
Position number	Two Position Three Way				Two Position Three Way					
Effective sectional area	14mm ² (CV=0.78)				16mm ² (CV=0.89)					
Port size	input=output=exhausted=G1/8"				input=output=G1/4" output=G1/8"					
Fluid	Air									
Acting type	Internally pilot-actuated									
Working pressure MPa	0.15~0.8									
Ambient temperature °C	-5~50									
Voltage range	± 10%									
Power consumption	AC:5.5VA DC:4.8W									
Insulation & Protection level	Grade F. IP65									
Wiring Form	Out wire or end type									
Max. Fluence	5 times/minute									

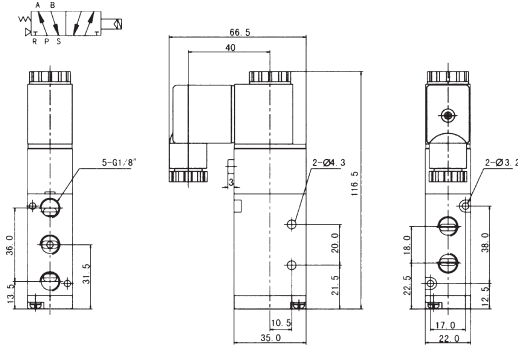
How to order:



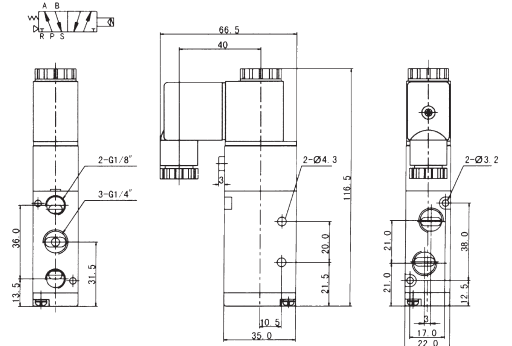
Solenoid Valve/Air Control Valve

Dimensions:

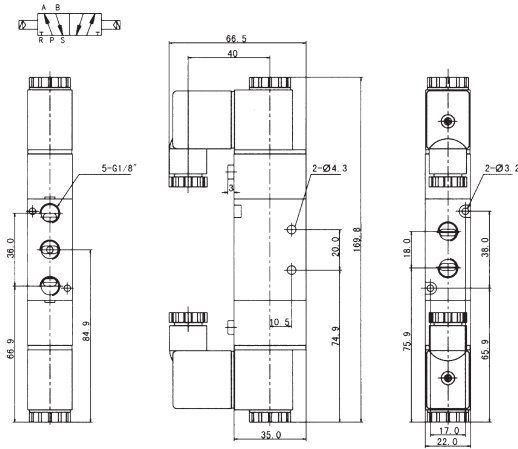
■ 4V210-06



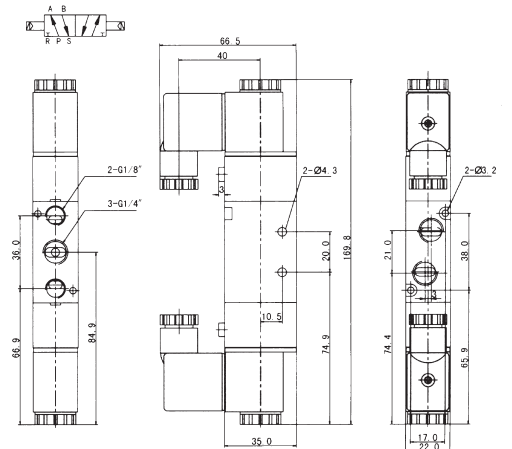
■ 4V210-08



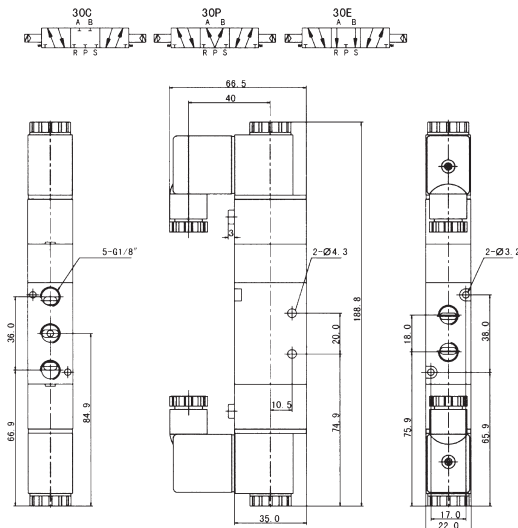
■ 4V220-06



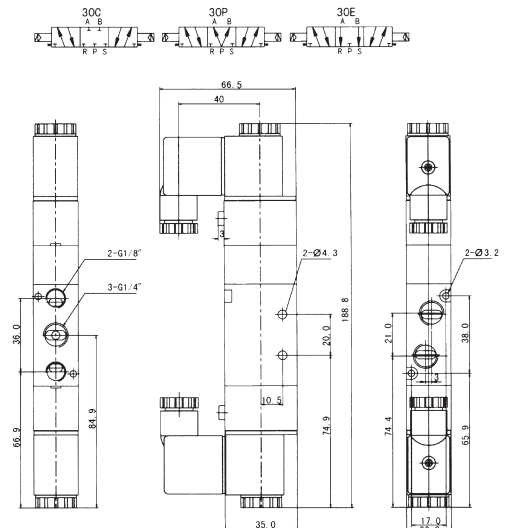
■ 4V220-08



■ 4V230-06



■ 4V230-08

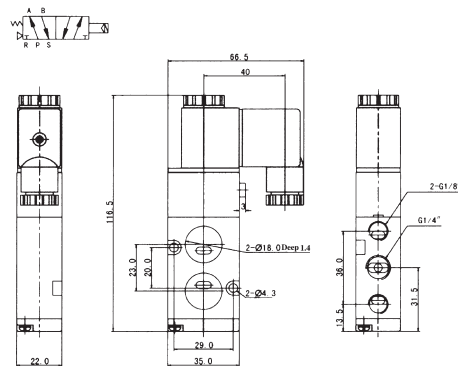
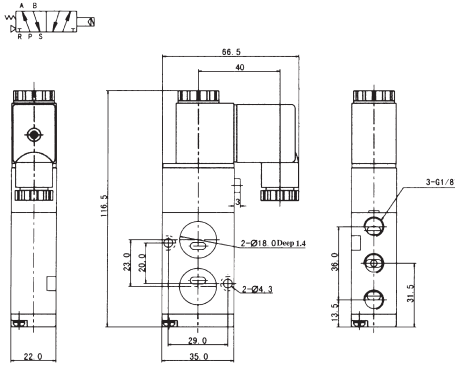


Solenoid Valve/Air Control Valve

Dimensions:

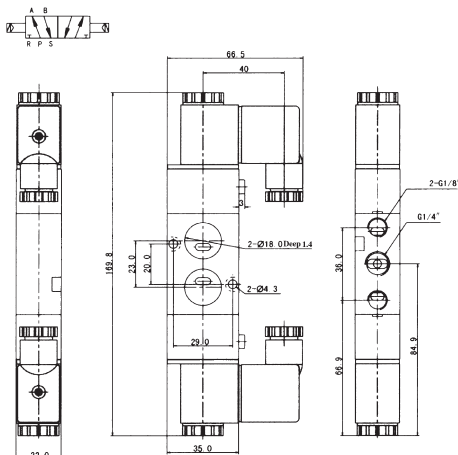
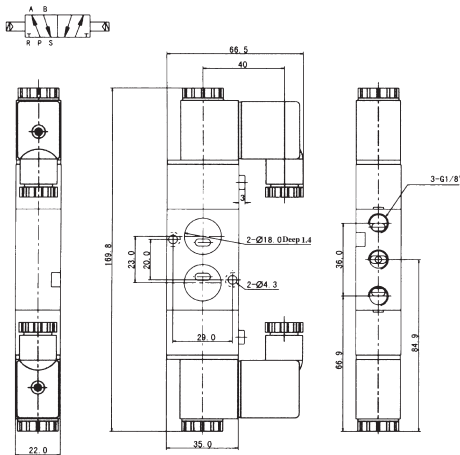
■ 4M210-06

■ 4M210-08



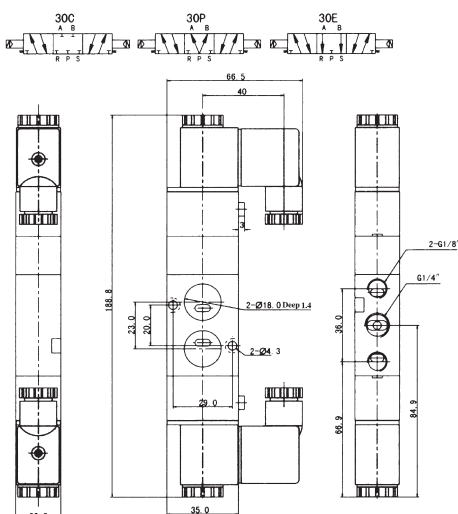
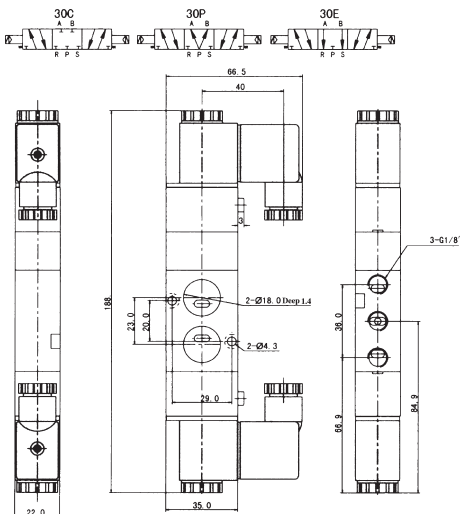
■ 4M220-06

■ 4M220-08



■ 4M230-06

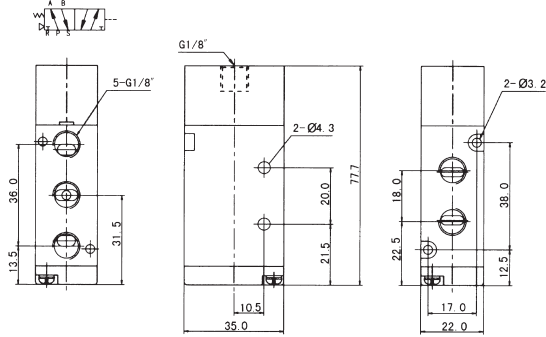
■ 4M230-08



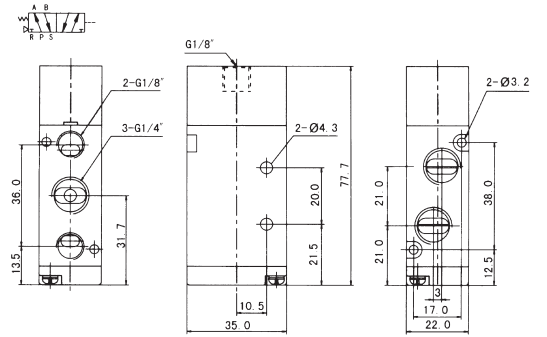
Solenoid Valve/Air Control Valve

Dimensions:

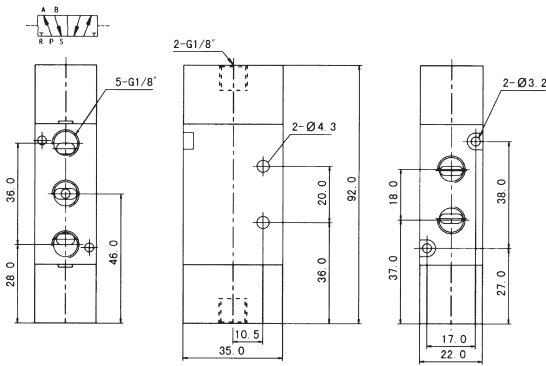
4A210-06



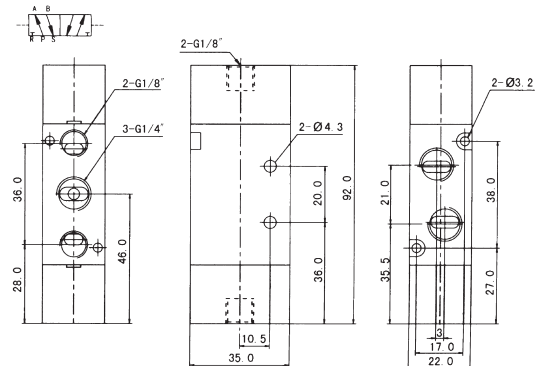
4A210-08



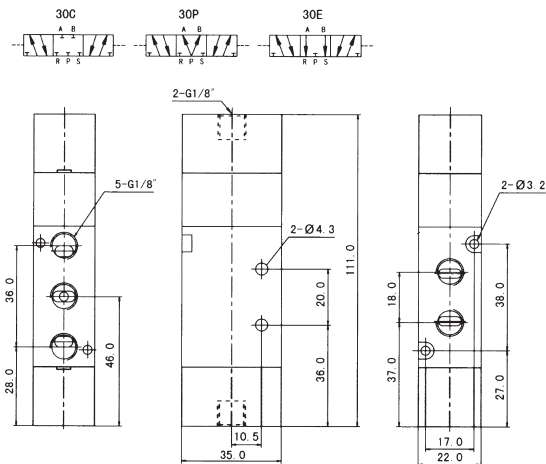
4A220-06



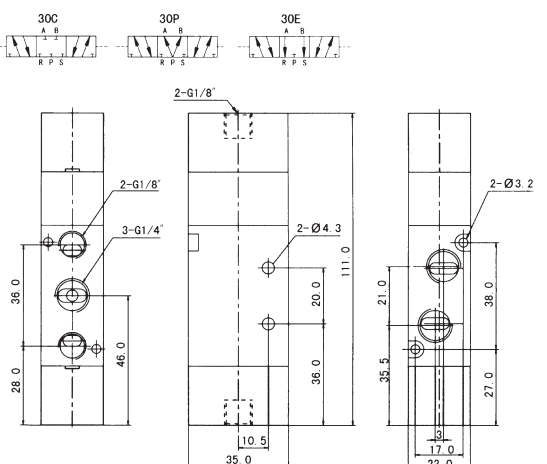
4A220-08



4A230-06



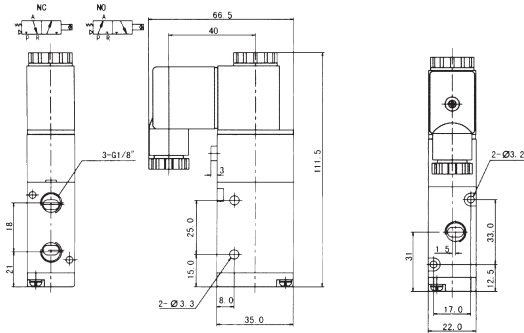
4A230-08



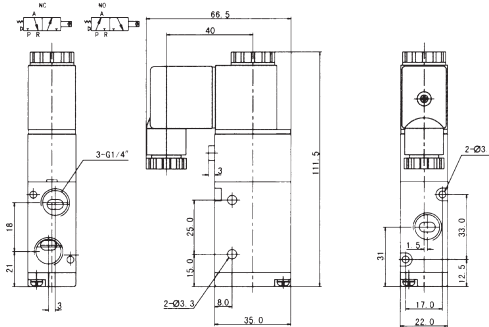
Solenoid Valve/Air Control Valve

Dimensions:

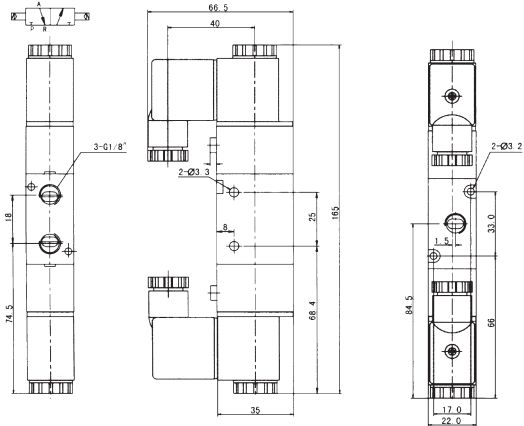
3V210-06



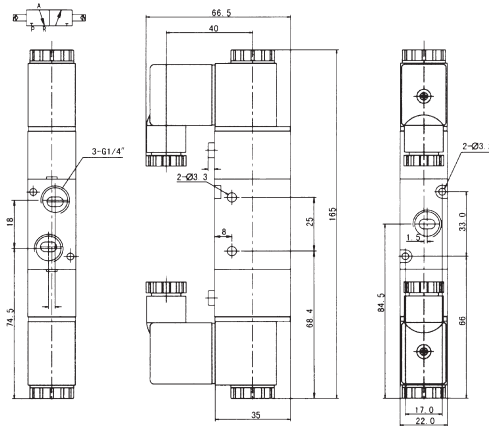
3V210-08



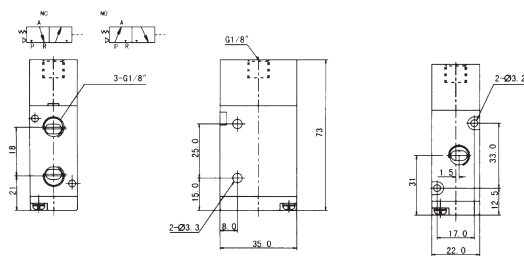
3V220-06



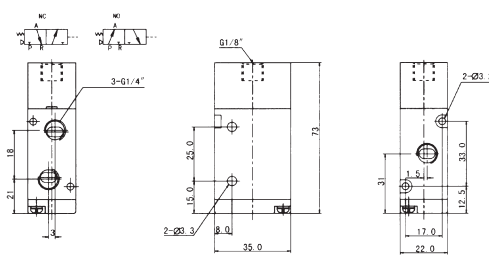
3V220-08



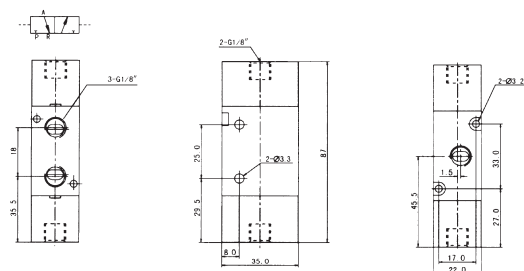
3A210-06



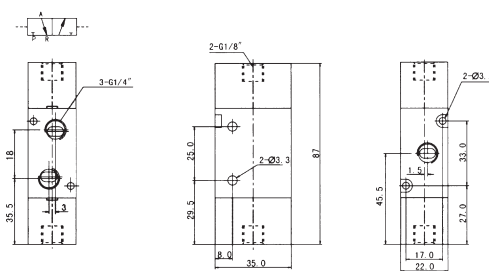
3A210-08



3A220-06



3A220-08



Solenoid Valve/Air Control Valve

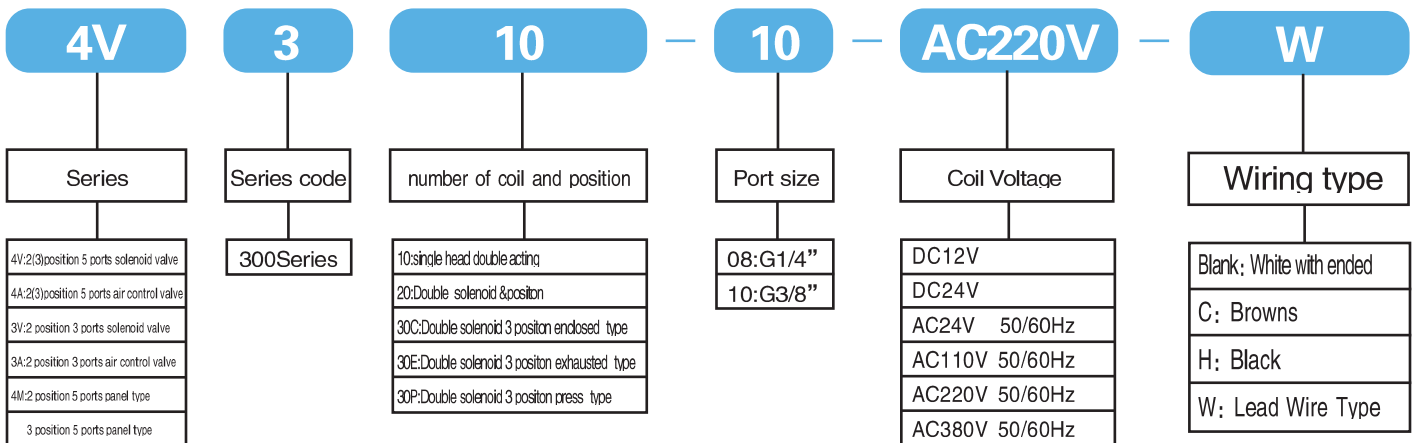
Characteristics:

- Service life: 10 million cycle times.
- The bodies are mirror finished and hardening treated.
- Equipped with imported oil seals with smaller friction and longer service life.
- With imported coils, low power consumption, speedy response.
- Capable of long service time without being damaged.

Specification:

Type	4V310-08	4V320-08	4V330C-08	4V330E-08	4V330P-08	4V310-10	4V320-10	4V330C-10	4V330E-10	4V330P-10
	4A310-08	4A320-08	4A330C-08	4A330E-08	4A330P-08	4A310-10	4A320-10	4A330C-10	4A330E-10	4A330P-10
Position number	Two Position Five Way		Three Position Five Way		Two Position Five Way		Three Position Five Way			
Effective sectional area	25mm ² (CV=1.40)		18mm ² (CV=1.00)		30mm ² (CV=1.68)		18mm ² (CV=1.00)			
Type	3V310-08	3V320-08	3A310-08	3A320-08	3V310-10	3V320-10	3A310-10	3A320-10		
Position number	Two Position Three Way				Two Position Three Way					
Effective sectional area	25mm ² (CV=1.40)				30mm ² (CV=1.68)					
Port size	input=output=exhausted=G1/4"				input=output=G3/8" output=G1/4"					
Fluid	Air									
Acting type	Internally pilot-actuated									
Working pressure MPa	0.15~0.8									
Ambient temperature °C	-5~50									
Voltage range	± 10%									
Power consumption	AC:5.5VA DC:4.8W									
Insulation & Protection level	Grade F, IP65									
Wiring Form	Out wire or end type									
Max. Fluence	5 times/minute									

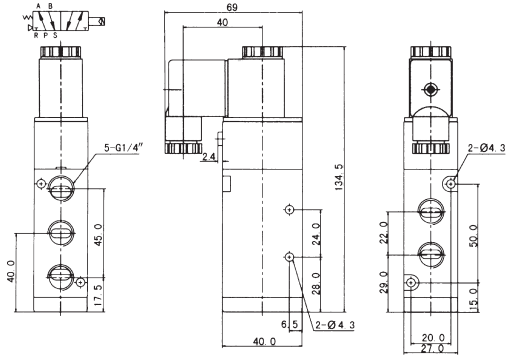
How to order:



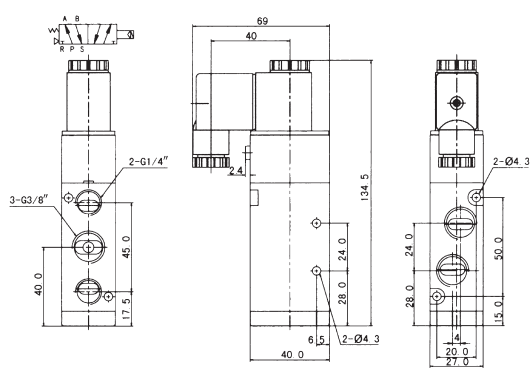
Solenoid Valve/Air Control Valve

Dimensions:

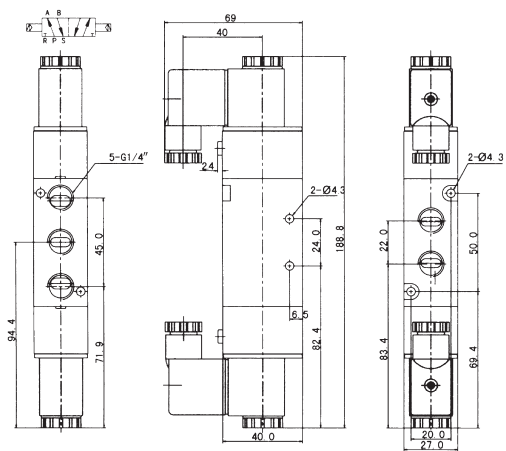
4V310-08



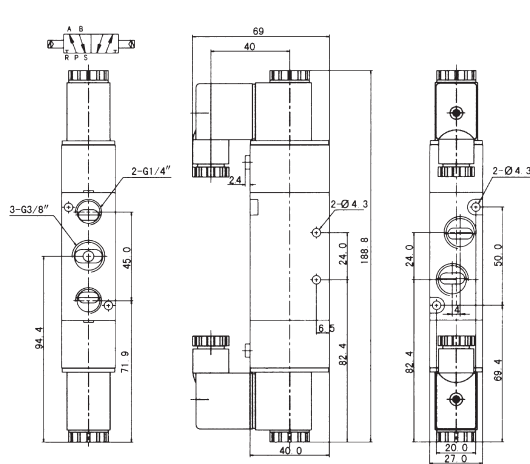
4V310-10



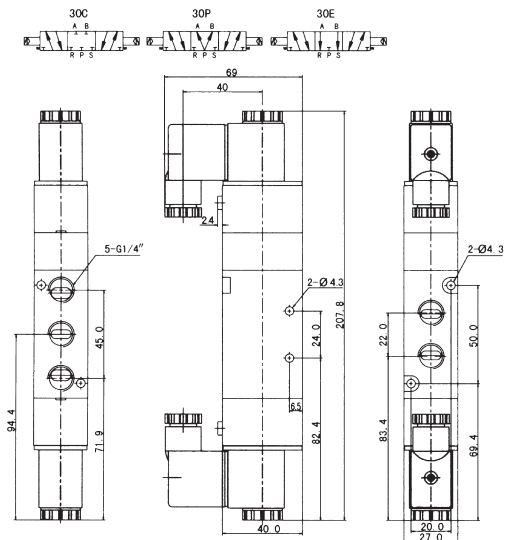
4V320-08



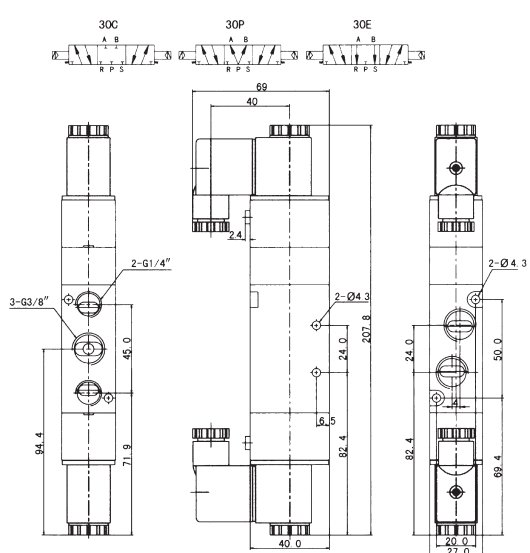
4V320-10



4V330-08



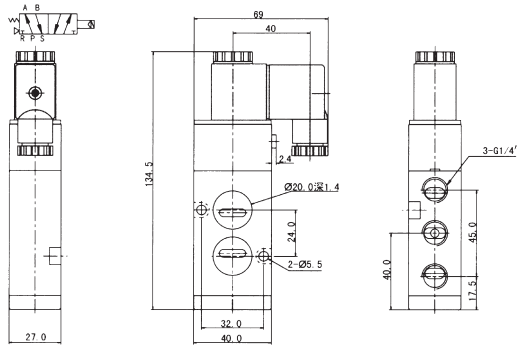
4V330-10



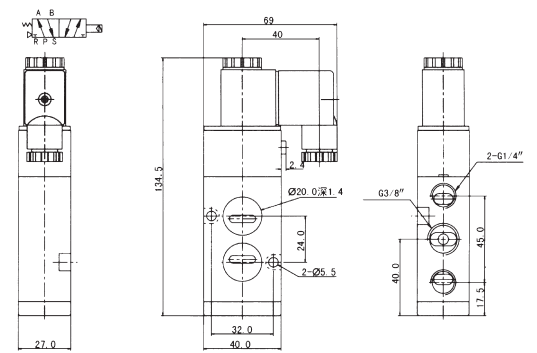
Solenoid Valve/Air Control Valve

Dimensions:

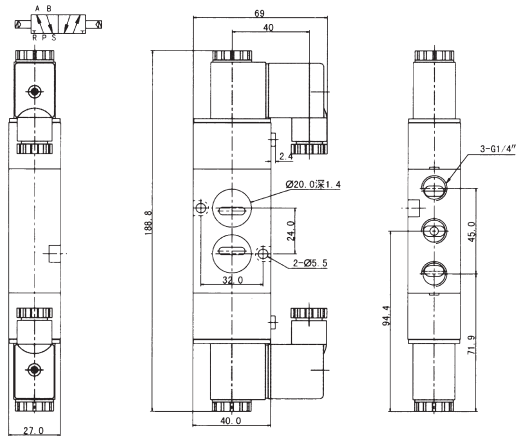
4M310-08



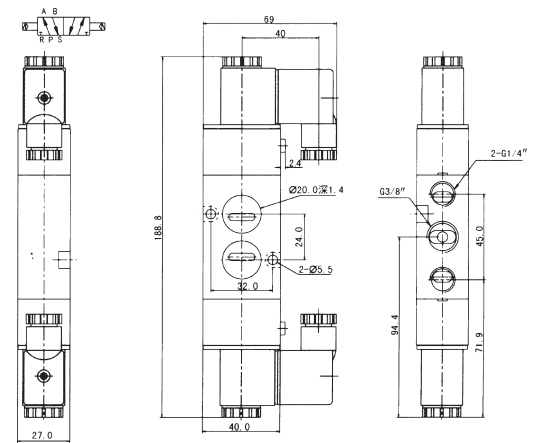
4M310-10



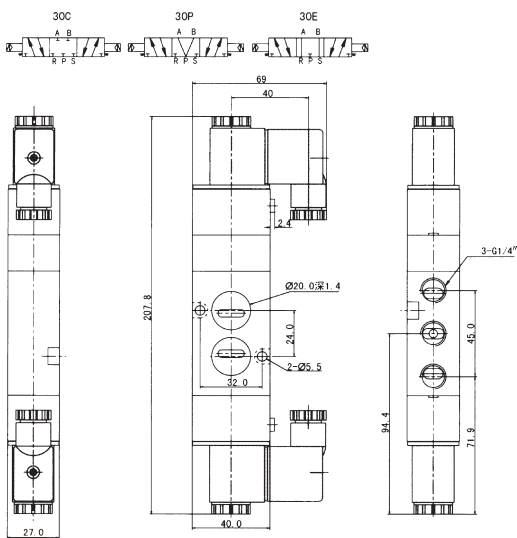
4M320-08



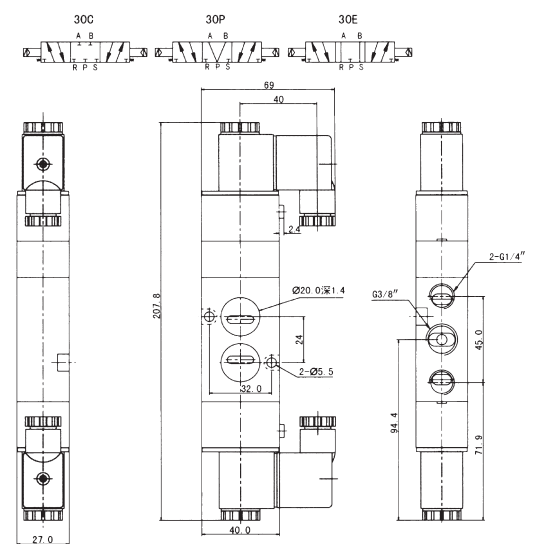
4M320-10



4M330-08



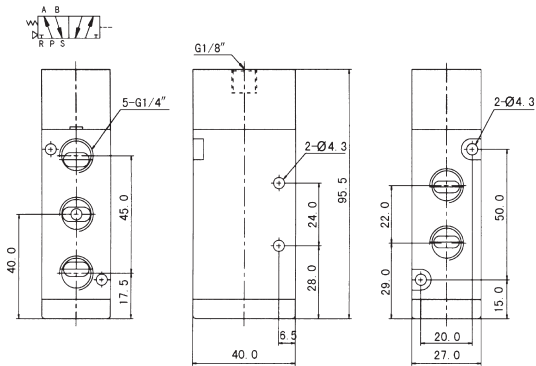
4M330-10



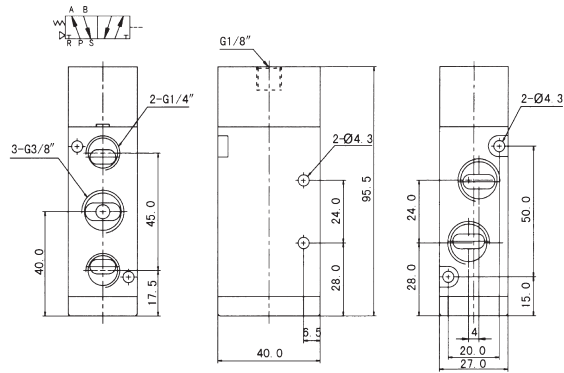
Solenoid Valve/Air Control Valve

Dimensions:

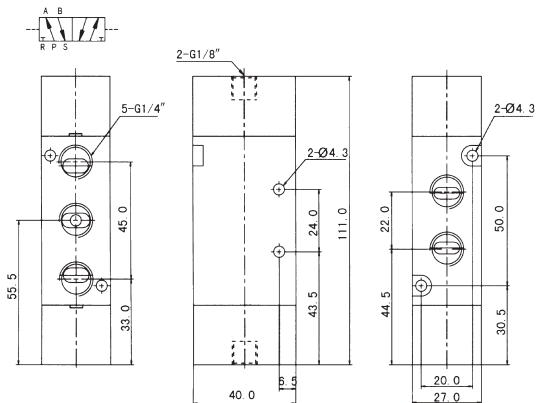
4A310-08



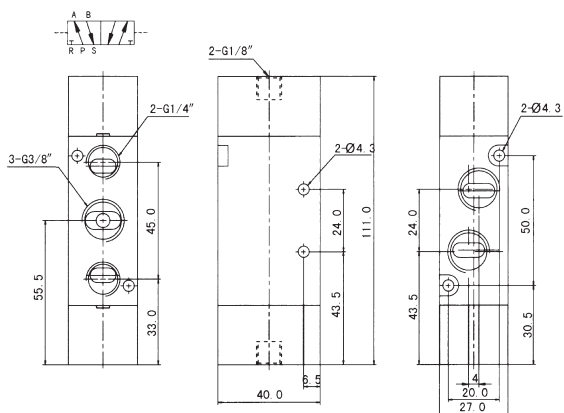
4A310-10



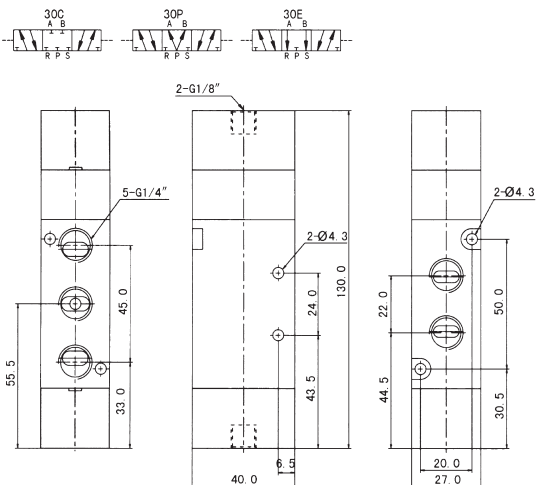
4A320-08



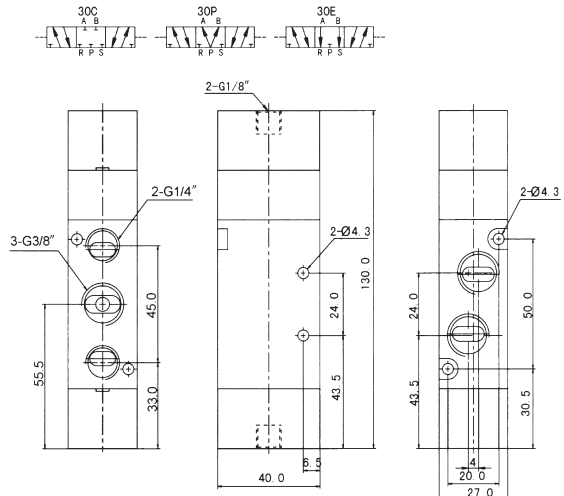
4A320-10



4A330-08



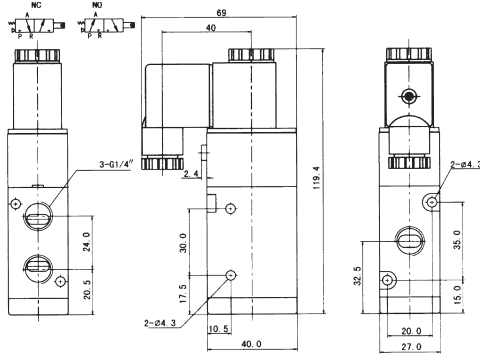
4A330-10



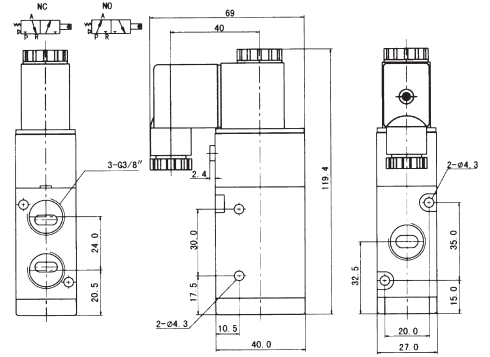
Solenoid Valve/Air Control Valve

Dimensions:

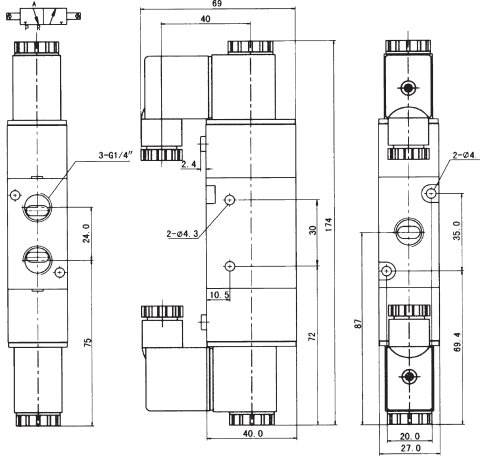
3V310-08



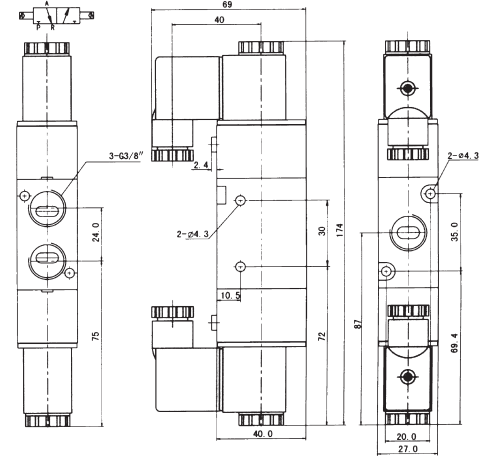
3V310-10



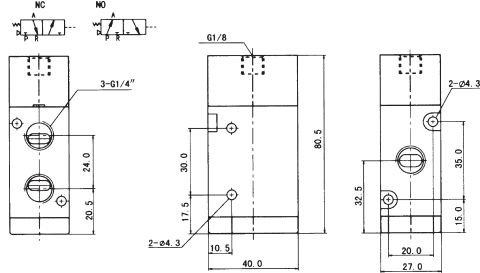
3V320-08



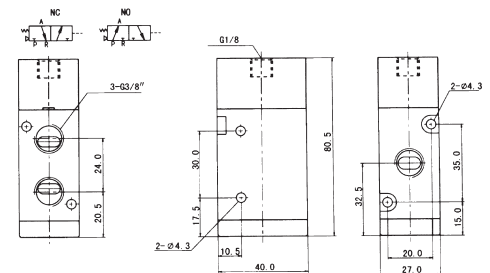
3V320-10



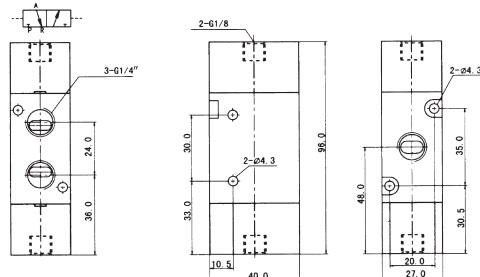
3A310-08



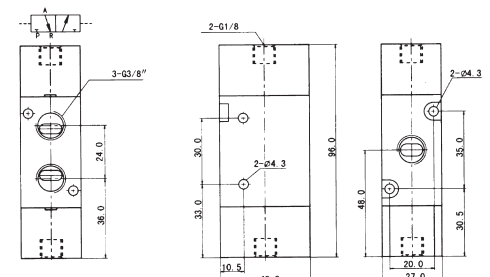
3A310-10



3A320-08



3A320-10



Solenoid Valve/Air Control Valve

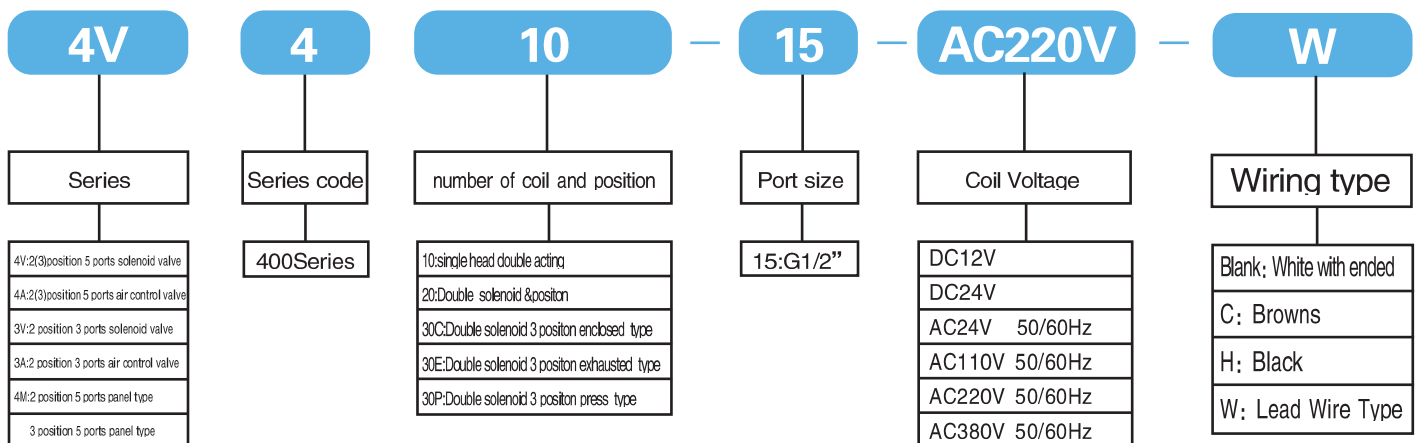
Characteristics:

- Service life: 10 million cycle times.
- The bodies are mirror finished and hardening treated.
- Equipped with imported oil seals with smaller friction and longer service life.
- With imported coils, low power consumption, speedy response.
- Capable of long service time without being damaged.

Specification:

Type	4V410-15	4V420-15	4V430C-15	4V430E-15	4V430P-15
	4A410-15	4A420-15	4A430C-15	4A430E-15	4A430P-15
Position number	Two Position Five Way		Three Position Five Way		
Effective sectional area	25mm ² (CV=1.40)		30mm ² (CV=1.68)		
Type	3V410-15	3V420-15	3A410-15	3A420-15	
Position number	Two Position Three Way				
Effective sectional area	50mm ² (CV=2.79)				
Port size	input=output=exhausted=G1/2"				
Fluid	Air				
Acting type	Internally pilot-actuated				
Working pressure MPa	0.15-0.8				
Ambient temperature °C	-5~50				
Voltage range	± 10%				
Power consumption	AC:5.5VA DC:4.8W				
Insolation & Protection level	Grade F. IP65				
Wiring Form	Out wire or end type				
Max. Fluence	5 times/minute				

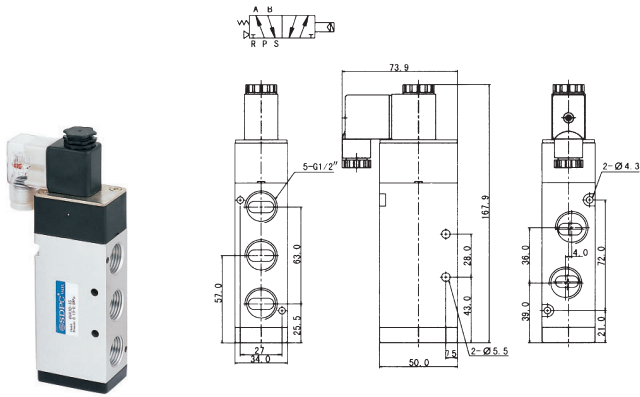
How to order:



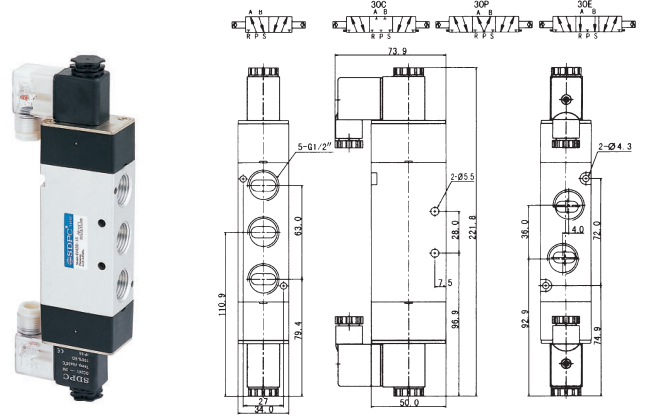
Solenoid Valve/Air Control Valve

Dimensions:

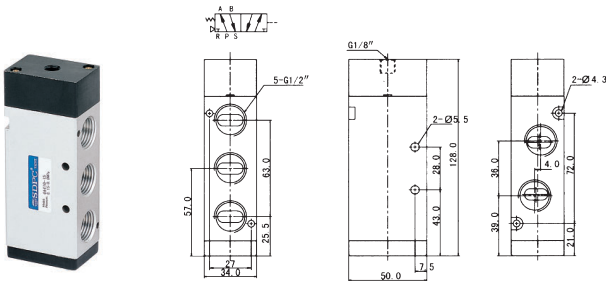
4V410-15



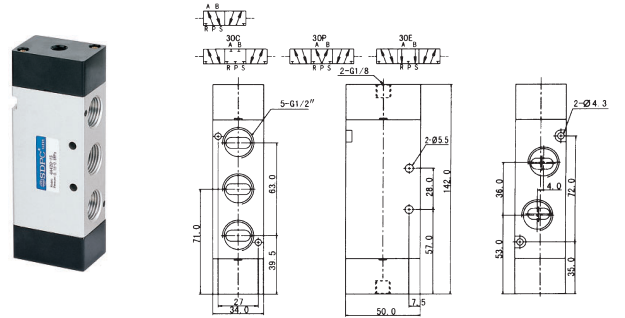
4V420-15, 4V430-15



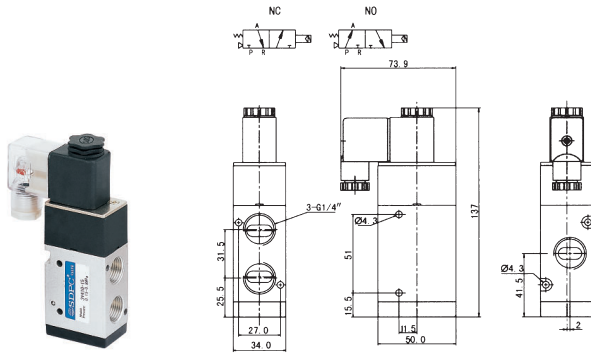
4A410-15



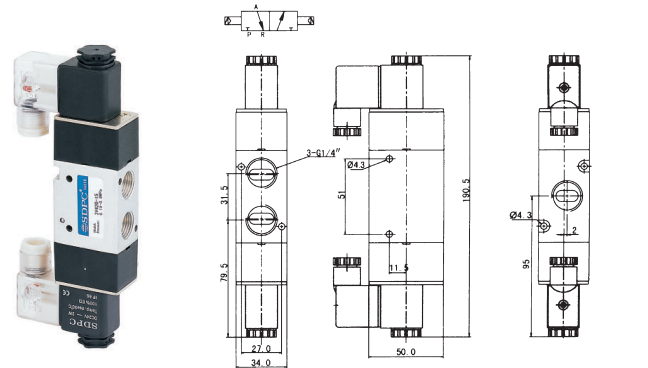
4A420-15, 4A430-15



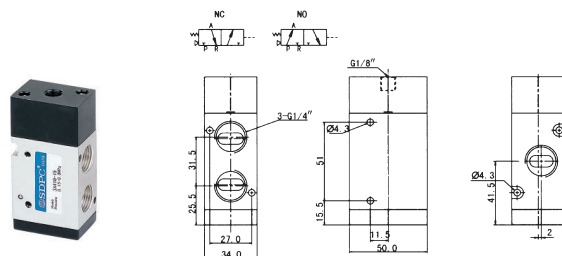
3V410-15



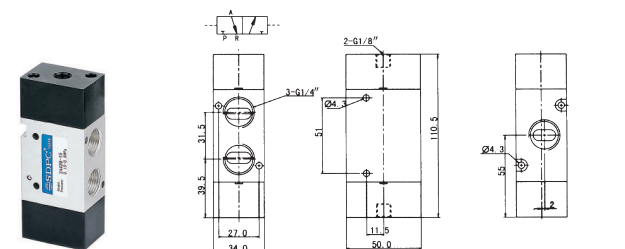
3V420-15



3A410-15



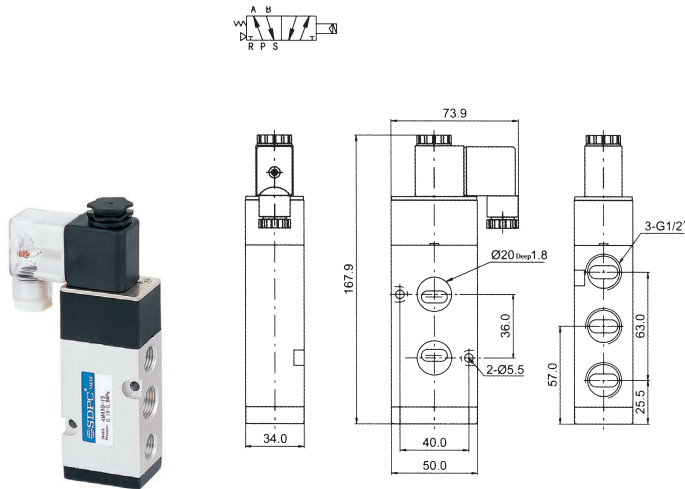
3A420-15



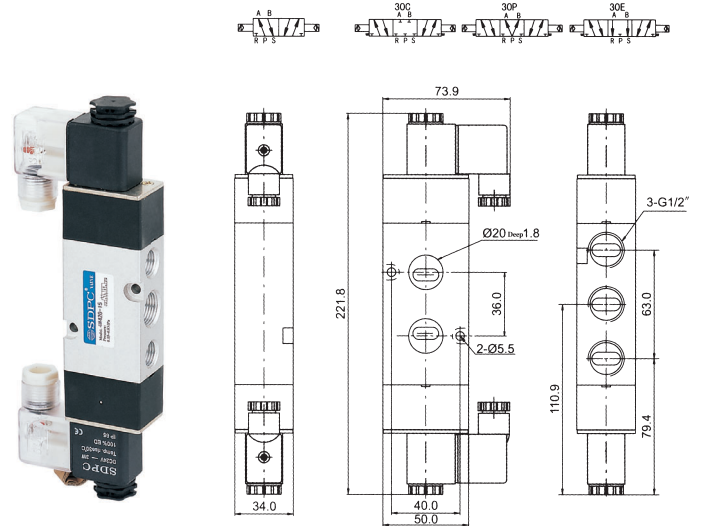
Solenoid Valve/Air Control Valve

Dimensions:

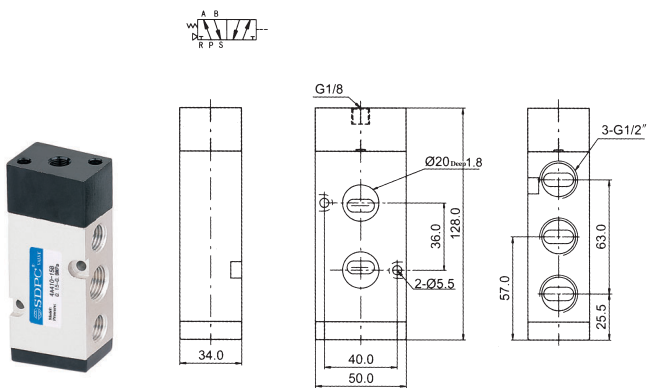
4M410-15



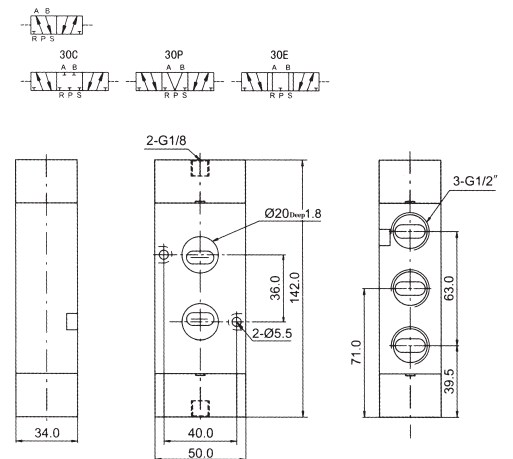
4M420-15, 4M430-15



4A410-15B

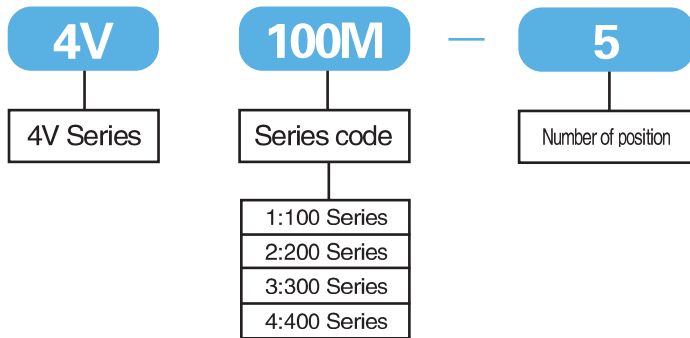


4A420-15B, 4A430-15B

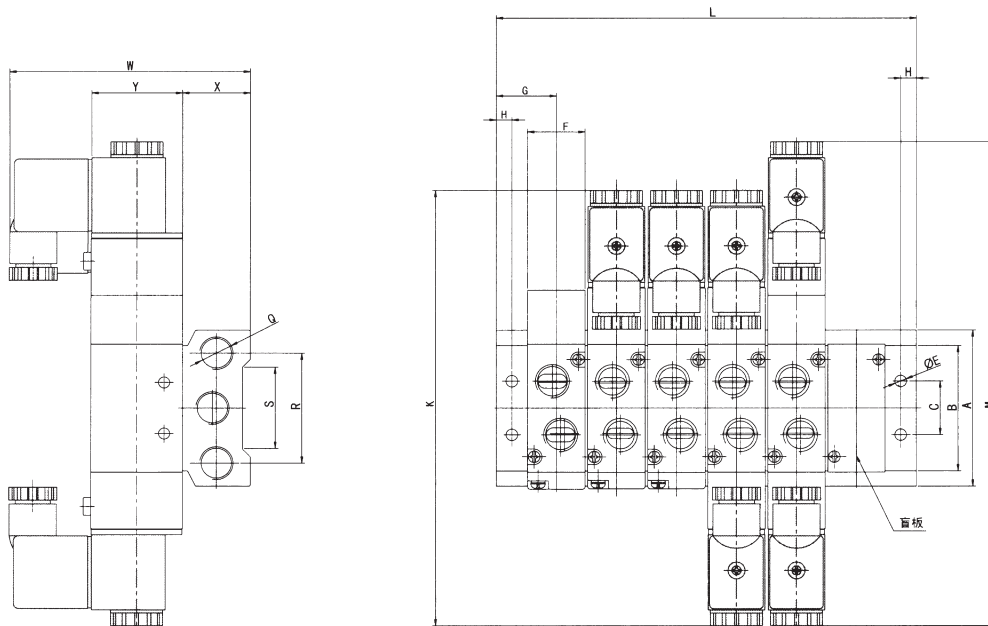


Manifold

How to order:



Dimensions(mm):



Type	A	B	C	E	F	G	H	K	L	M	Q	R	S	W	X	Y
100M□F	58	44	20	4.2	18.3	19	5	140	$(n-1)*19+38$	155	G1/4	40	30	78.5	25	27
200M□F	61	52	21	4.3	22.4	23	6	170	$(n-1)*23+46$	189	G1/4	43	32	92.5	26	35
300M□F	75	65	26	4.5	27.3	27	6	189	$(n-1)*28+54$	208	G3/8	53	48	99	30	40
400M□F	104	95	32	5.5	34.3	31.5	7	222	$(n-1)*35+63$	243	G1/2	68	67	112	38	50