

➤ R2W(S)Series Two-Position Two-Way Solenoid Valve

R2W(S)

The material of Valve is optional,
reasonable design, reliable quality



Ordering Code

R	-	2W	-	025	-	06	-	NO	-	□	-	□
RFS product		Material 2W brass 2S stainless steel 2WH high temperature type 2P Plastic		Orifice 012 1.2mm 020 2.0mm 025 2.5mm 040 4.0mm		Connection port 06 1/8" 08 1/4" 10 3/8"		Initial State Blank Normal Close NO Normal Open		Standard Voltage DC12V DC24V AC24V AC36V AC110V AC220V AC380V		Seal Code Blank NBR V VITON E EPDM

Parameters

Model	Media	Working type	Pattern	Orifice (mm)	Cv Value	Connection ports	Fluid viscosity	Working pressure (MPa)	Max. pressure (MPa)	Working temp (°C)	Rated voltage	Power	Valve body material	Seal material
R2W025-06	Air Water Oil	Direct action	Normally close	2.5	0.23	1/8"	< 20CST	Air Water Gas 0~0.7	1.0	-5~80	DC12-24V AC24V-380V ±10%	DC20.9W AC26VA	Brass	NBR VITON EPDM
R2W025-08				2.5	0.23	1/4"			1.0					
R2W040-10				4	0.60	3/8"			1.0					
R2W012-06				1.2	0.05	1/8"		3.5						
R2W012-08				1.2	0.05	1/4"		3.5						
R2W020-10				2	0.15	3/8"		3.5						

Overall Dimension

Speciality

2W series is direct acting type two-position two-way solenoid valve, which can work at Zero pressure with good shape and large flow. It is a common components used for industrial pipes.

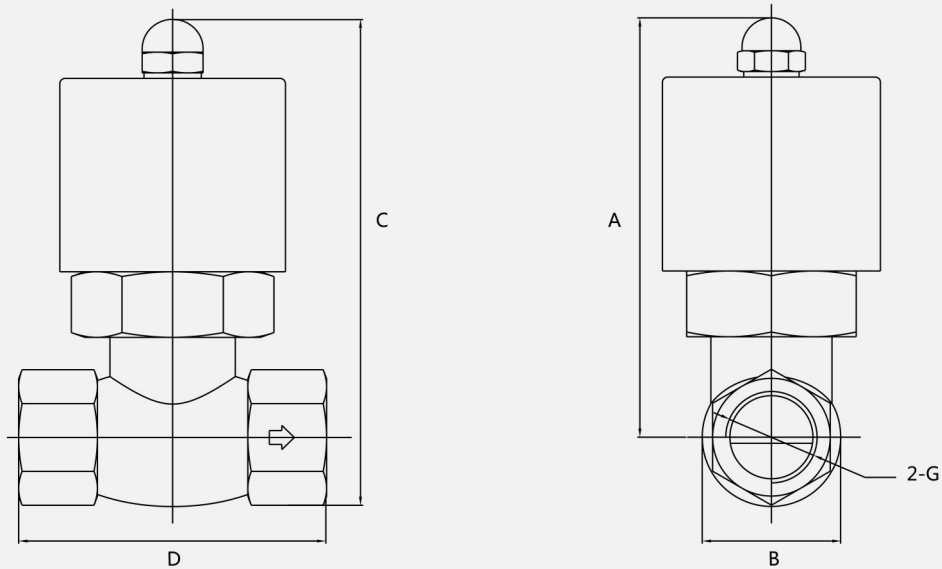
Connection port : G1/8"~G3/8"

Working pressure : 0~0.8MPa

Operating Temperature : -5~80°C



Overall Dimension



Model	A	B	C	D	G
2W025-06	66	30	75	40.5	G1/8"
2W025-08	66	30	75	40.5	G1/4"
2W040-10	72.5	32	83.5	55	G3/8"
2W012-06	66	30.3	75	40.5	G1/8"
2W012-08	66	30.3	75	40.5	G1/4"
2W020-10	74	32.2	85.5	52.5	G3/8"

➤ 2W(S) (large orifice) Two-Position Two-Way Solenoid Valve

R 2 W (S)(large orifice)

Various material for you chose,
Reasonable design , Reliable quality



Ordering Code

R	-	2W	-	160	-	15	-	K	-	□	-	□
RFS product		Valve body 2W Brass 2S stainless steel 2WH high temperature type 2P plastic		Orifice 160 16mm 200 20mm 250 25mm 350 35mm 400 40mm 500 50mm		Connection port 10 (15) 3/8" 1/2" 20 3/4" 25 1" 35 1 1/4" 40 1 1/2" 50 2"		Initial state Blank normal close K normal open		Standard voltage DC12V DC24V AC24V AC36V AC110V AC220V AC380V		Seal code Blank NBR V VITON E EPDM

Parameters

Model	Media	Working type	Pattern	Orifice (mm)	Cv Value	Connection ports	Fluid viscosity	Working pressure (MPa)	Max. pressure (MPa)	Working temp (°C)	Rated voltage	Power	Valve body material	Seal material
R2W160-10	Air Water Oil	Direct action	Normally close	16	4.8	3/8"	< 20CST	Air 0-1.0 Water 0-0.7 Oil 0-0.7	1.0	-5-80	DC12-24V AC24V-380V ±10%	DC23.4W AC26VA DC40W AC50VA	Brass Stainless steel	NBR EPDM VITON
R2W160-15				16	4.8	1/2"								
R2W200-20				20	7.6	3/4"								
R2W250-25				25	12	1"								
R2W350-35				35	24	1 1/4"								
R2W400-40				40	29	1 1/2"								
R2W500-50				50	48	2"								

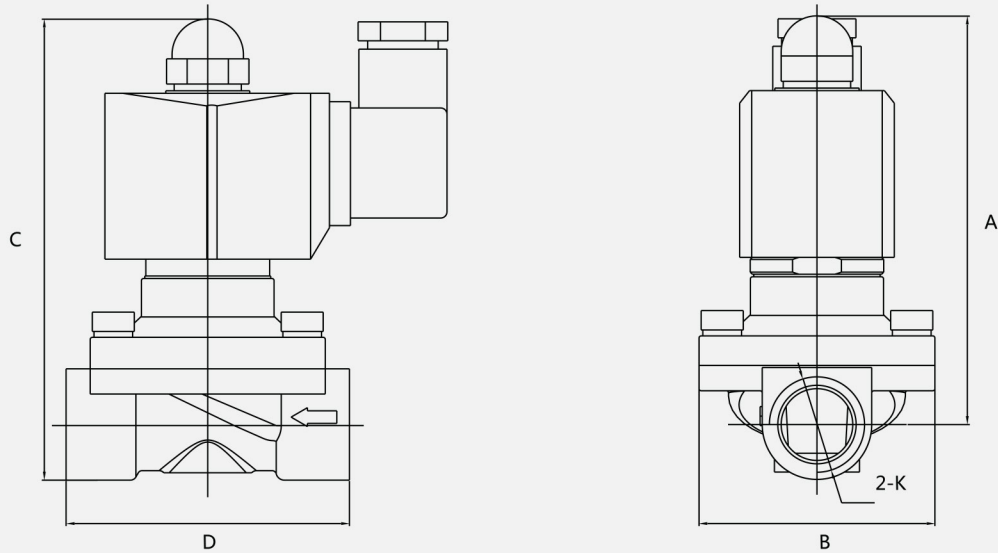
Overall Dimension

Speciality

- Direct acting, diaphragm structure, can be work at zero pressure, expanding the using area.
- Plate diaphragm structure, high reliability, long life.
- Valve body can be made from brass, stainless steel.
- plastic encapsulating coil , be able to use under numerous environment.



Overall Dimension



Model	A	B	C	D	K
2w160-10	93	56	106	69	G3/8"
2w160-15	93	56	106	69	G1/2"
2w200-20	100	55	117	73	G3/4"
2w250-25	104	78	125	99	G1"
2w350-35	141	93	172	124	G1 ¹ / ₄ "
2w400-40	141	93	172	124	G1 ¹ / ₂ "
2w500-50	157	124	195	172	G2"