

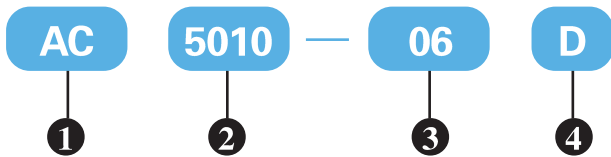
Filter Regulator+Atomized Lubricator

Specification:

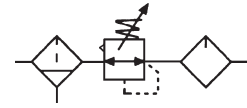
Type	AC2010	AC3010	AC4010	AC5010	
Port size G	1/8" · 1/4"	1/4" · 3/8"	3/8" · 1/2" · 3/4"	3/4" · 1"	
Gauge thread G	1/8"		1/4"		
Fluid	Air				
Pressure range MPa	0.05~0.85				
Max.Flow rate L/min	500	1700	3000	5000	
Ambient temperature	-10~60°C				
Filter precision	Standard: 5 μ m				
Oil recommended	Turbine Oil ISO VG32				
Cup material	Polycarbonate				
Structure	Overflow type				
Optional	Guard cup	-	●	●	●
	Bracket	20T	30T	40T	50T

Notes: AC2010 series,the guard cup is optional.

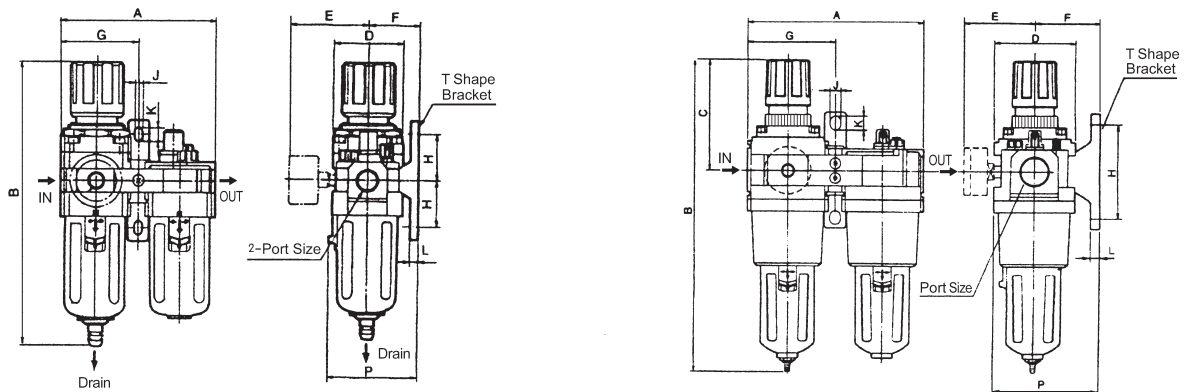
How to order:



①	AC Filter Regulator+Atomized Lubricator
②	Type: 2010,3010,4010,5010
③	Port size: 01:G1/8" ,02:G1/4" ,03:G3/8" ,04:G1/2" ,06:G3/4" ,10:G1"
④	□ : Differential pressure drain, D: Auto-drain;



Dimensions(mm):



Type	Port Size	A	B	C	D	F	G	H	J	K	L	P
AC2000	G1/8" · G1/4"	90	164.5	78	40	86.8	45	24	5.5	8.5	5	50
AC3000	G1/4" · G3/8"	117	211	92.5	53	101.8	58.5	35	7	11	7	70.5
AC4000	G3/8" · G1/2" · G3/4"	154	262.5	112	70	120.5	77	40	9	13	7	88
AC5000	G3/4" · G1"	195	330	120	90	145	97.5	100	12	16	10	115

Filter+Regulator+Atomized Lubricator

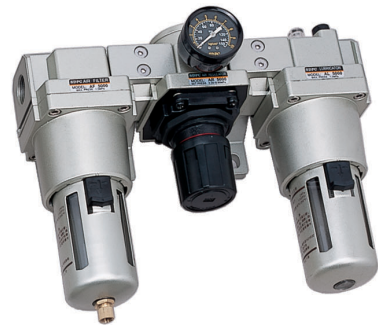
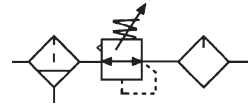
Specifications:

Type	AC2000	AC3000	AC4000	AC5000
Port size (G)	1/8" · 1/4"	1/4" · 3/8"	3/8" · 1/2" · 3/4"	3/4" · 1"
Gauge thread(G)	1/8"		1/4"	
Fluid	Air			
Pressure range(Mpa)	0.05~0.85			
Max.Flowrate(Nl/min)	500	2000	4000	5000
Ambient temperature	-10~60°C			
Filter precision	Standard: 5 μm			
Oil recommended	Turbine Oil(ISO VG32)			
Cup material	Polycarbonate			
Structure	Overflow type			
Optional	Guard cup	-	●	●
	Bracket	20L	30L	40L

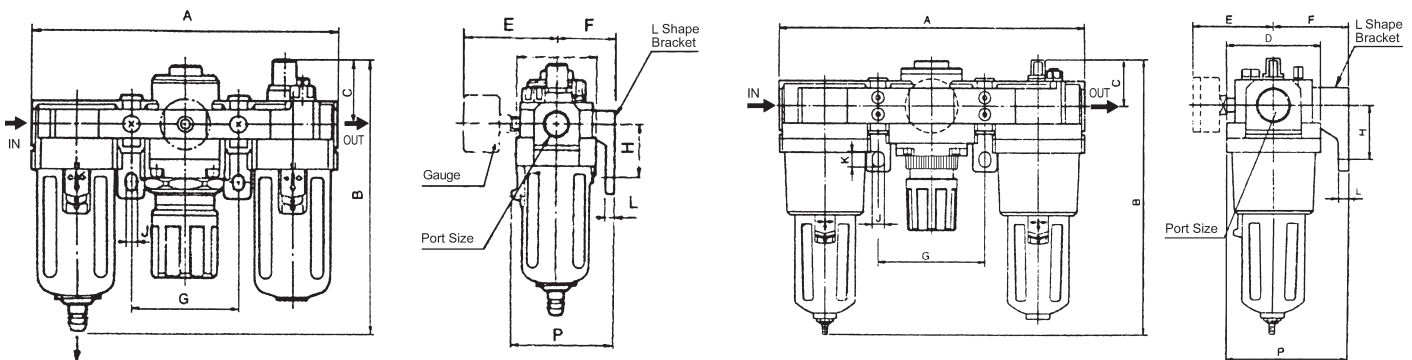
Note: AC2000series,the guard cup is optional.

How to order:

AC	5000	—	06	D
①	②		③	④
①	AC Filter+Regulator+Atomized Lubricator			
②	Type: 2000,3000,4000,5000			
③	Port size: 01:G1/8",02:G1/4",03:G3/8",04:G1/2",06:G3/4",10:G1"			
④	□: Differential pressure drain, D: Auto-drain;			



Dimensions(mm):



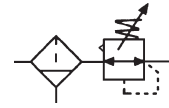
Type	Port Size	A	B	C	D	F	G	H	J	K	L	P
AC2000	G1/8" · G1/4"	140	145.5	38	40	85	50	24	5.5	8.5	5	50
AC3000	G1/4" · G3/8"	181	156.5	38	53	101.8	64	35	7	11	7	70.5
AC4000	G3/8" · G1/2" · G3/4"	238	191.5	41	70	115.5	84	40	9	13	7	88
AC5000	G3/4" · G1"	300	272	48	90	166	105	50	12	16	10	115

Filter Regulator

Specifications:

Type	AW2000	AW3000	AW4000	AW5000
Port size G	1/8" · 1/4"	1/4" · 3/8"	3/8" · 1/2" · 3/4"	3/4" · 1"
Gauge thread G	1/8"		1/4"	
Fluid	Air			
Pressure range MPa	0.05~0.85			
Ambient temperature	-10~60°C			
Filter precision	Standard: 5 μ m			
Cup material	Polycarbonate			
Capacity cm ²	8	20	45	45
Guard cup	-	●	●	●

Note: AW2000series,the guard cup is optional.



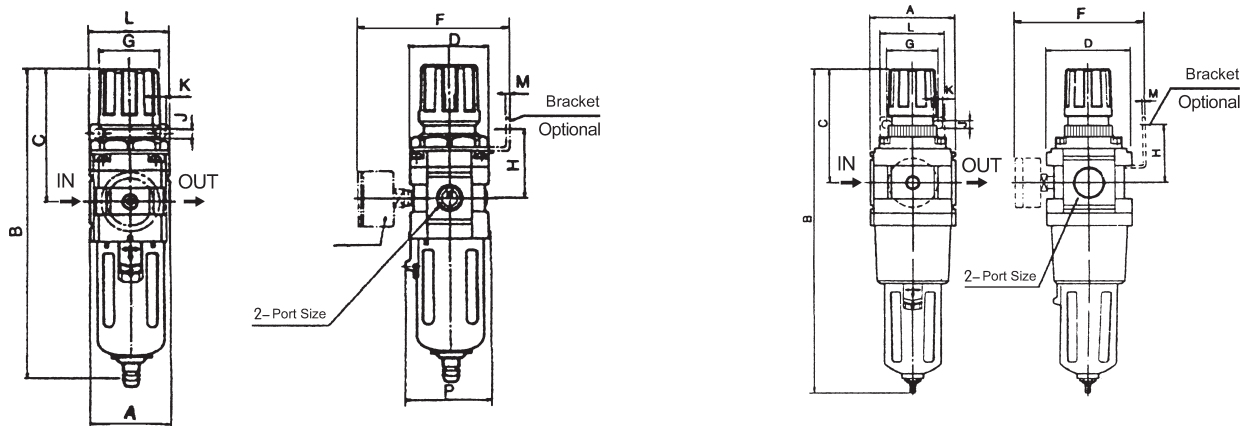
How to order:

AW
5000
—
06
D

1
2
3
4

1	AW Filter Regulator
2	Type: 2000,3000,4000,5000
3	Port Size: 01:G1/8" ,02:G1/4" ,03:G3/8" ,04:G1/2" ,06:G3/4" ,10:G1"
4	□: Differential pressure drain, D: Auto-drain;

Dimensions(mm):



Type	Port Size	A	B	C	D	F	G	H	J	K	L	M	N	P
AW2000	G1/8" · G1/4"	40	164.5	78	40	86.8	34	44	5.4	15.4	55	2.3	33.5	40
AW3000	G1/4" · G3/8"	53	211	92.5	53	101.8	40	46	6.5	8	53	2.3	42.5	56
AW4000	G3/8" · G1/2" · G3/4"	70	262.5	112	70	120.5	54	4	8.5	10.5	70	2.3	52.5	73
AW5000	G3/4" · G1"	90	330	120	90	145	54	63	8.5	10.5	8.5	2.3	52.5	90

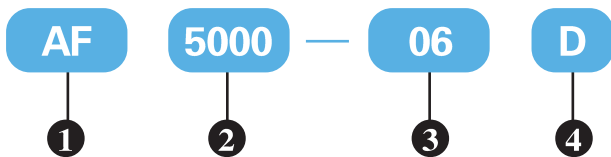
Filter

Specifications:

Type	AF2000	AF3000	AF4000	AF5000
Port size (G)	1/8" · 1/4"	1/4" · 3/8"	3/8" · 1/2" · 3/4"	3/4" · 1"
Gauge thread (G)	1/8"		1/4"	
Fluid	Air			
Pressure range (Mpa)	0.05~0.85			
Ambient temperature	-10~60°C			
Filter precision	Standard: 5 μm			
Cup material	Polycarbonate			
Capacity (cm ³)	8	20	45	45
Guard cup	-	●	●	●

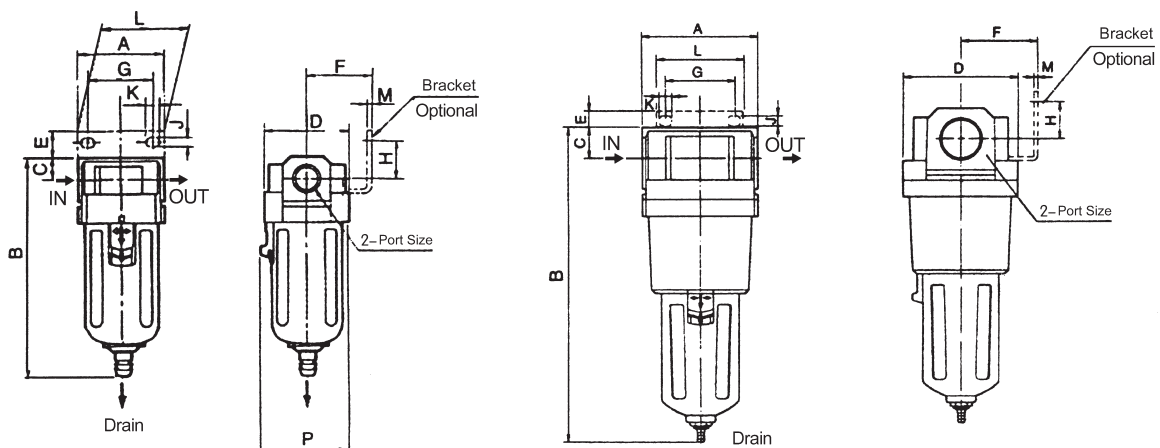
Note: AF2000series, the guard cup is optional.

How to order:



①	AF Filter
②	Type: 2000,3000,4000,5000
③	Port Size: 01:G1/8" ,02:G1/4" ,03:G3/8" ,04:G1/2" ,06:G3/4" ,10:G1"
④	□: Differential pressure drain, D: Auto-drain;

Dimensions (mm):

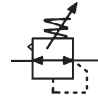


Type	Port Size	A	B	C	D	E	F	G	H	J	K	L	M	P
AF2000	G1/8" · G1/4"	40	97.5	11	40	17	30	27	22	5.4	8.4	40	2.3	40
AF3000	G1/4" · G3/8"	53	132.5	14	53	16	41	40	23	6.5	8	53	2.3	56
AF4000	G3/8" · G1/2" · G3/4"	70	168.5	18	70	17	50	54	26	8.5	10.5	70	2.3	73
AF5000	G3/4" · G1"	90	244	24	90	23	70	54	25	8.5	10.5	70	2.3	90

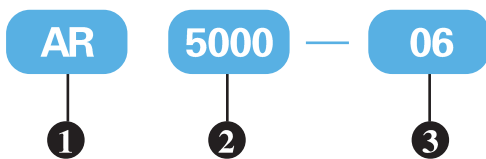
Regulator

Specifications:

Type	AR2000	AR3000	AR4000	AR5000
Port size G	1/8" · 1/4"	1/4" · 3/8"	3/8" · 1/2" · 3/4"	3/4" · 1"
Gauge thread G	1/8"		1/4"	
Fluid	Air			
Pressure range MPa	0.05~0.85			
Ambient temperature	-10~60°C			



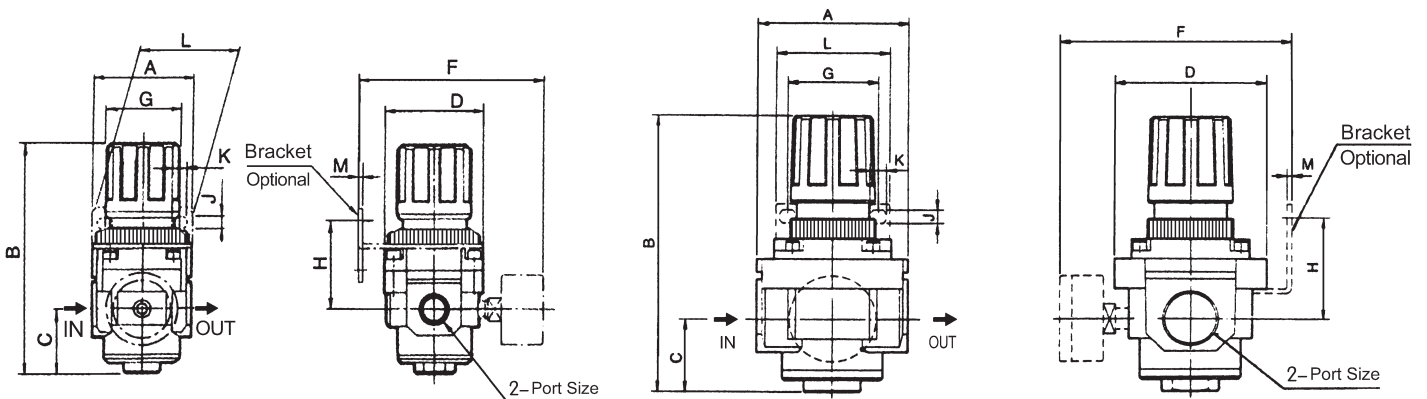
How to order:



①	AR Regulator
②	Type: 2000,3000,4000,5000
③	Port size: 01:G1/8",02:G1/4",03:G3/8",04:G1/2",06:G3/4",10:G1"



Dimensions(mm):



Type	Port Size	A	B	C	D	F	G	H	J	K	L	M	N
AR2000	G1/8" · G1/4"	40	95	17	40	86.8	34	45	5.4	15.4	55	2.3	33.5
AR3000	G1/4" · G3/8"	53	127.5	35	53	101.8	40	46	6.5	8	53	2.3	42.5
AR4000	G3/8" · G1/2" · G3/4"	70	149.5	37.5	70	115.5	54	54	8.5	10.5	70	2.3	52.5
AR5000	G3/4" · G1"	90	164	48	90	122	42	63	8.5	10.5	65	2.3	52.5

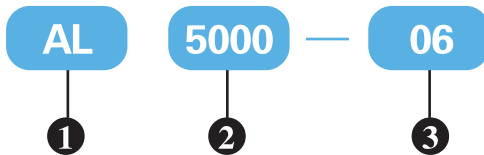
Atomized Lubricator

Specifications:

Type	AL2000	AL3000	AL4000	AL5000
Port size (G)	1/8" · 1/4"	1/4" · 3/8"	3/8" · 1/2" · 3/4"	3/4" · 1"
Gauge thread(G)	1/8"		1/4"	
Fluid	Air			
Pressure range(Mpa)	0.05~0.85			
Max.Flow rate(Nl/min)	15	1/4:30,3/8:40	3/8:40,1/2:50	190
Ambient temperature	-10~60°C			
Filter precision	Standard: 5 μm			
Oil recommended	Turbine Oil(ISO VG32)			
Cup material	Polycarbonate			
Capacity(cm ²)	25	50	130	130
Guard cup	-	●	●	●

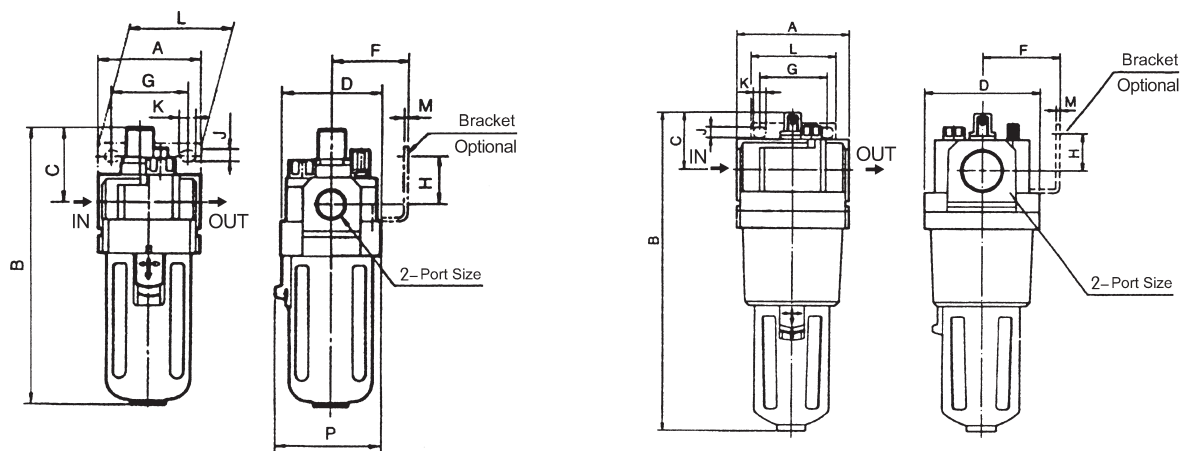
Note: AL2000series,the guard cup is optional.

How to order:



①	AL Atomized Lubricator
②	Type: 2000,3000,4000,5000
③	Port Size: 01:G1/8" ,02:G1/4" ,03:G3/8" ,04:G1/2" ,06:G3/4" ,10:G1"

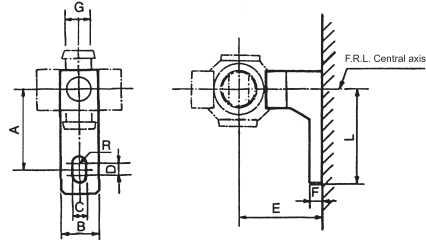
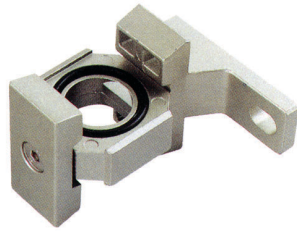
Dimensions(mm):



Type	Port Size	A	B	C	D	F	G	H	J	K	L	M	P
AL2000	G1/8" · G1/4"	40	122	38	40	30	27	22	5.4	8.4	40	2.3	40
AL3000	G1/4" · G3/8"	53	142	38	53	41	40	23	6.5	8	53	2.3	56
AL4000	G3/8" · G1/2" · G3/4"	70	177	41	70	50	54	26	8.5	10.5	70	2.3	73
AL5000	G3/4" · G1"	90	254	45	90	70	54	25	8.5	10.5	70	2.3	90

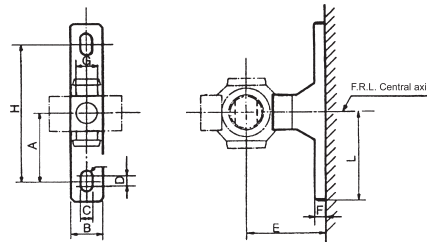
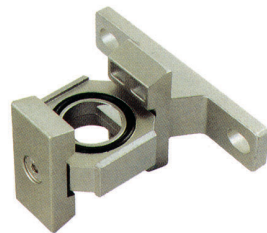
Bracket

L Type



Type	A	B	C	D	E	F	G	R	L	Applicable type
AC20L	24	15	5.5	3	30	5	10	2.75	33	AC2000~AC2010
AC30L	35	16	7	4	41	7	11	3.5	45	AC3000~AC3010
AC40L	40	22	9	4	50	7	14	4.5	50	AC4000~AC4010
AC50L	50	24	12	4	70	10	15	6.0	62.5	AC5000~AC5010

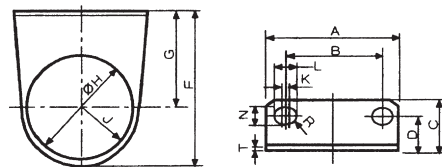
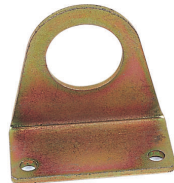
T Type



Type	A	B	C	D	E	F	G	H	R	L	Applicable type
AC20T	24	15	5.5	3	30	5	10	48	2.75	33	AC2000~AC2010
AC30T	35	16	7	4	41	7	11	70	3.5	45	AC3000~AC3010
AC40T	40	22	9	4	50	7	14	80	4.5	50	AC4000~AC4010
AC50T	50	24	12	4	70	10	15	100	6.0	62.5	AC5000~AC5010

Bracket

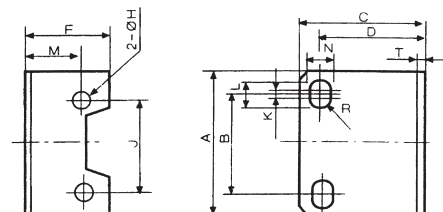
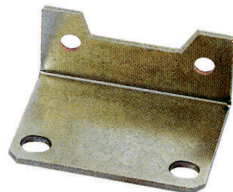
Applies to AR,AW series



Type	A	B	C	D	F	G	H	J	K	L	N	R	T	Applicable type
AR201	55	34	25	19	50	30	33.5	20	10	15.4	5.4	2.7	2.3	AR/AW2000
AR301	53	40	21.5	14	64	39	42.5	25	1.5	8	6.5	3.25	2.3	AR/AW3000
AR401	70	54	27	18	79.2	49.2	52.5	30	2	10.5	8.5	4.25	2.3	AR/AW4000~5000

Bracket

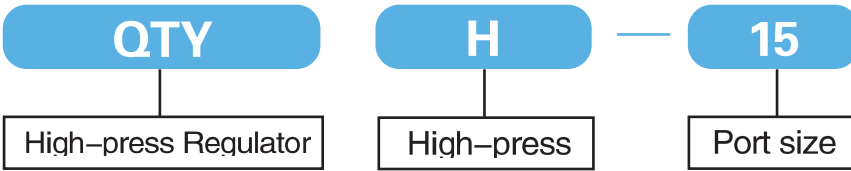
Applies to AF,AL series



Type	A	B	C	D	F	H	J	K	L	M	N	R	T	Applicable type
AF201	40	27	33	27	18	4.5	26	3	8.4	14	5.4	2.7	2.3	AF/AL2000
AF301	53	40	39	32	22.5	4.5	35	1.5	8	19	6.5	3.25	2.3	AF/AL3000
AF401	70	54	47	38	31.5	5.5	47	2	10.5	20	8.5	4.25	2.3	AF/AL4000
AF501	90	66	64	52	43	6.5	60	2	13	29	11	5.5	3.2	AF/AL5000

High-pressure Regulator

How to order:



Specification:

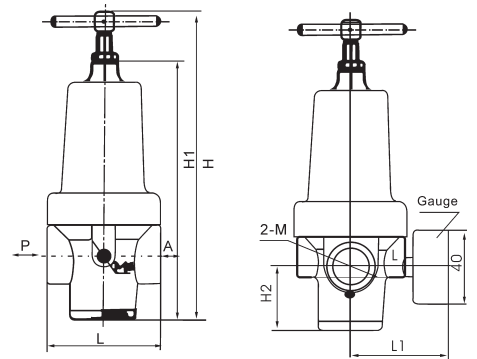
Type (mm)	AL2000	AL2000	BL2000	BL3000	BL4000
Port size(G)	1/4"	1/4"	1/4"	3/8"	1/2"
Max.working pressure(Mpa)	4				
pressure range(Mpa)	0.05~3.0				
Fluid	Depurative Air				
Ambient temperature	-25°C~ + 80°C(but under the no frozen conditon)				

Characteristics:

Compressed aira can be adjusted from4MPa to 3MPa,and kept steady-going.

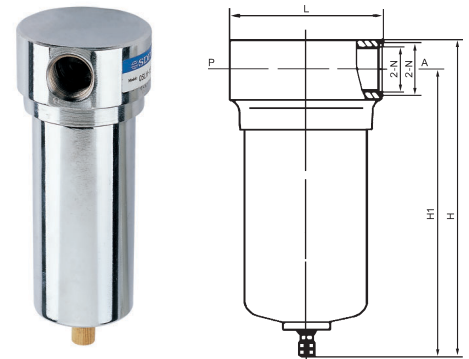
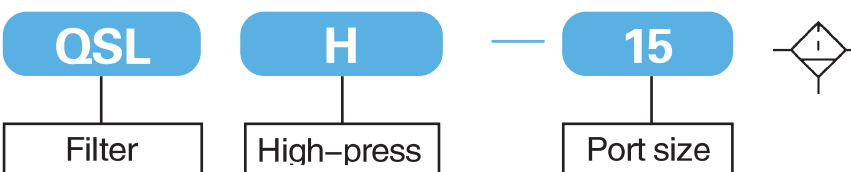
Dimension(mm):

port size	Code	L	L1	H	H1	H2	M	M1
8		55	60	140	100	22	G1/4	G1/4
10		55	60	140	100	22	G3/8	G1/4
15		55	60	140	100	22	G1/2	G1/4
20		75	72	190	159	50	G3/4	G1/4
25		75	72	190	159	50	G1	G1/4



High-pressure Filter

How to order:



Characteris:

It' s suitable to filtrate the solid and fluent impurity of the compressed air below the 4MPa.。

Specification:

Fluid	Air
Ambient temperater	-25°C~ + 80°C(but under the no frozen conditon)
Max.workingpressure(Mpa)	4
Seperation oi water rate	≥80%
Filter precision	25~50 μ m

Dimensions(mm):

Port size	Code	L	H	H1	M
10		60	160	145	G3/8
15		60	160	145	G1/2
20		90	215	190	G3/4
25		90	215	190	G1

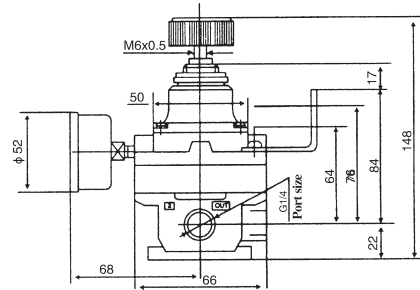
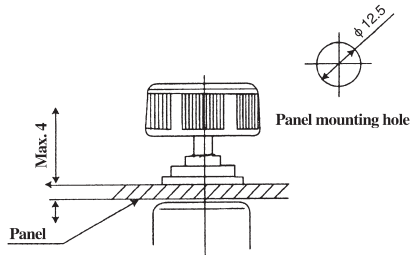
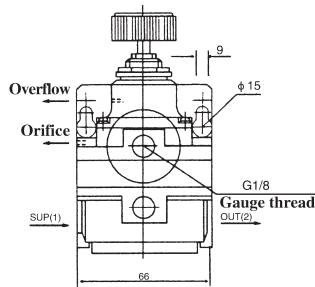
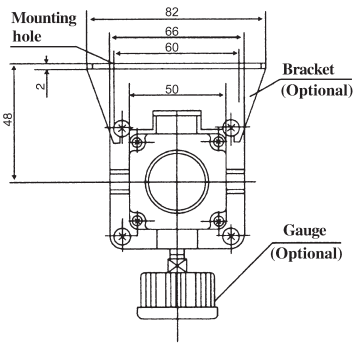
Precision Regulator

Characteristic:

- Compact and light weight (only 300g)
- Flow rate is 20% higher than that of traditional ones(Max. 1100 1min)
- Exhaust rate is 5 times higher than that of traditional ones.
- Precise pressure setting
- Easy for mouting,capable of mounting individually,together with modular filter combination and mounting on panel.
- Piloted exhaust and main exhaust are seperated.
- Applicable for clean room.

Dimensions(mm):

■ IR3000

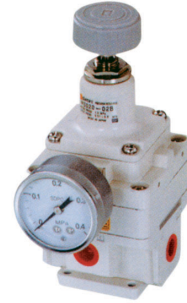
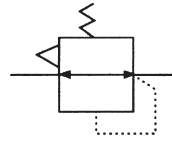


Specification:

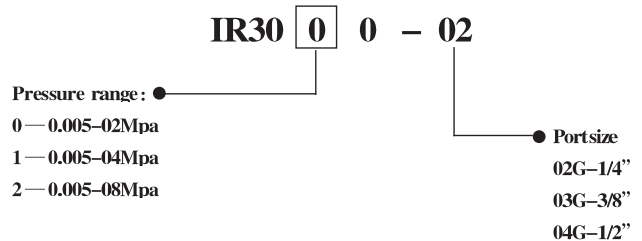
Ttype	Specification		
	Pressure range Mpa	Port size G	Guage thread
IR3000-02	0.005-0.2	1/4"	1/8"
IR3010-02	0.005-0.4		
IR3020-02	0.005-0.8		

Specification:

Precision	within 0.2% of full span
Repetitive precision	within ± 5% of full span
Rated flow	1100 1 min
Ambient temperature	5~60°C



How to order



Auto-drainer

Characteristics:

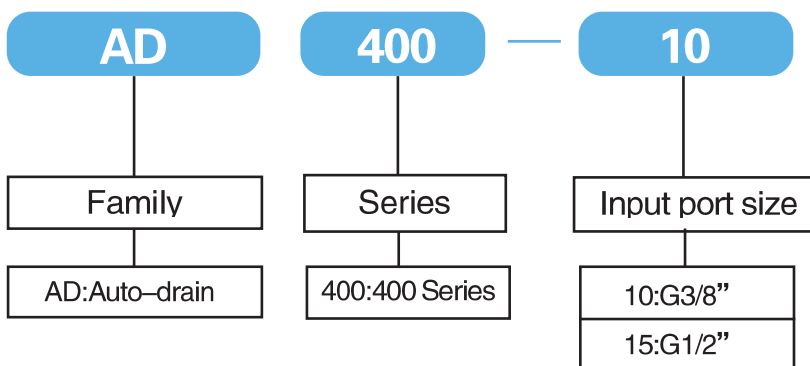
It's usually used to automatically drain water at low points of air system including pipes, air dryer, oil and water separator, air tank and various air filters, suitable to be mounted at places not convenient for manual water discharge, i.e. high and low points or places with small space, especially where air flow is high and water discharge is frequent, to prevent compressed air from re-contamination in case operator forget to discharge the water.

Specification:

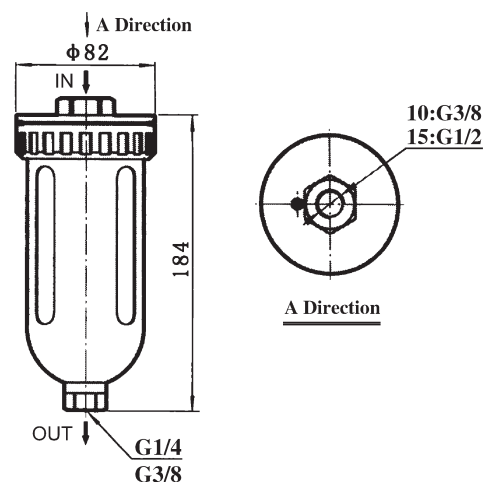
Type	AD400-10	AD400-15
Fluid	Air	
Input port size	3/8"	1/2"
Out port size G	1/4"	3/8"
Max. working pressure Mpa	10	
Ambient temperature	5~60°C	



How to order:



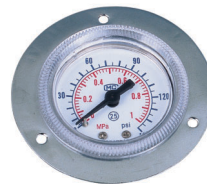
Dimensions(mm):



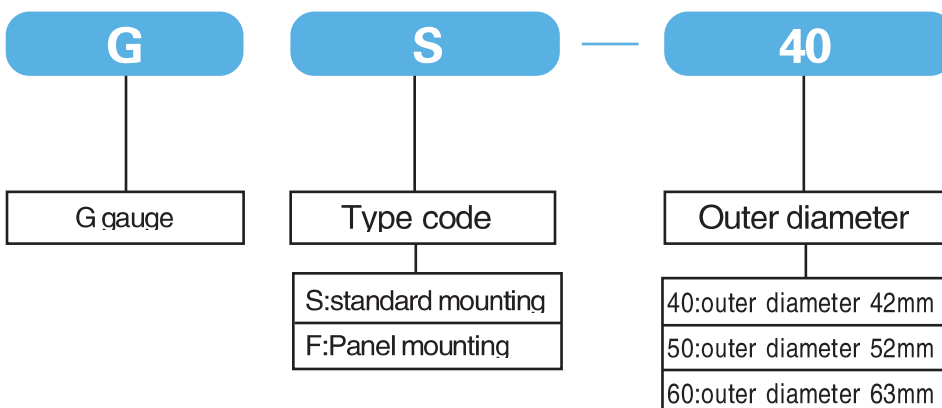
Gauge

Specification:

Type	GS-40	GS-50	GF-40	GF-50	GF-60
Fluid					
Port size G	1/8"	1/4"	1/8"	1/4"	1/4"
Pressure range MPa	0~1.0				
Max working pressure MPa	1.0				
Ambient temperature	5~60°C				



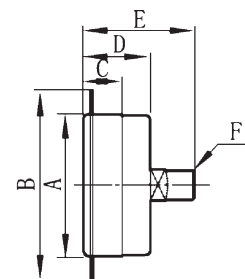
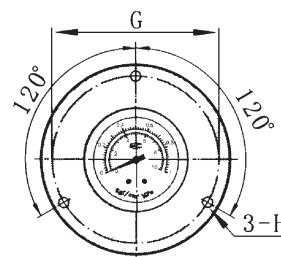
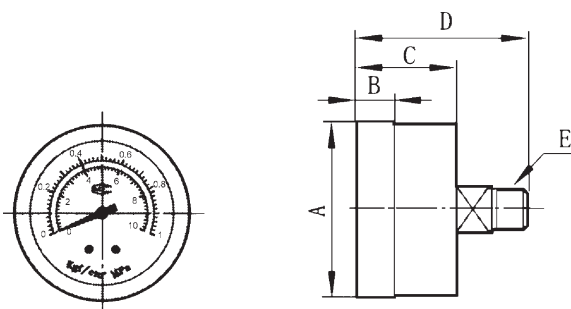
How to order:



Dimensions(mm):

GS Series

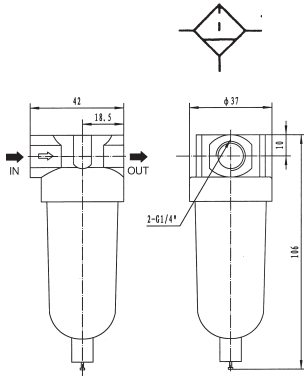
GF Series



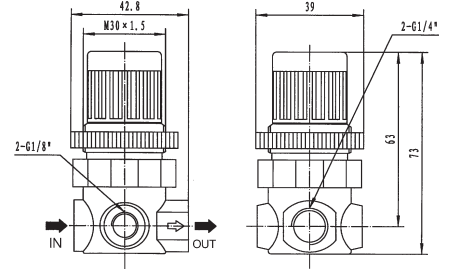
Type	A	B	C	D	E
GS-40	42	9	24	41	G1/8
GS-50	52	9	28	49	G1/4

Type	A	B	C	D	E	F	G	H
GF-40	42	60	9	24.4	39.5	G1/8	52.5	4.4
GF-50	52	70	9.5	28.8	49	G1/4	63	4.4
GF-60	53	84	17	30	47.5	G1/4	73.5	4.4

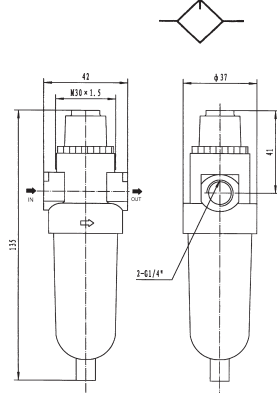
F07 Filter



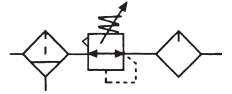
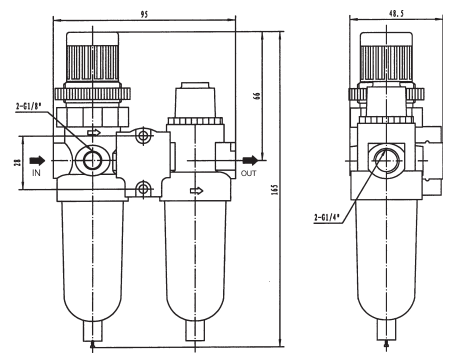
R07 Regulator



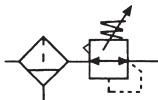
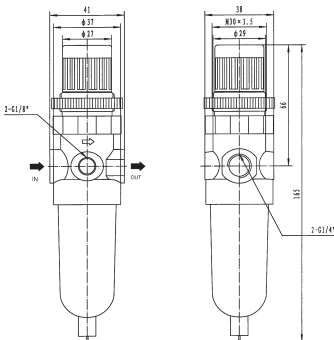
L07 Atomized Lubricator



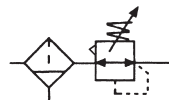
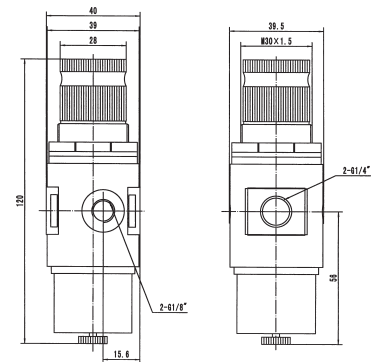
BL07 Filter regulator+Atomized lubricator



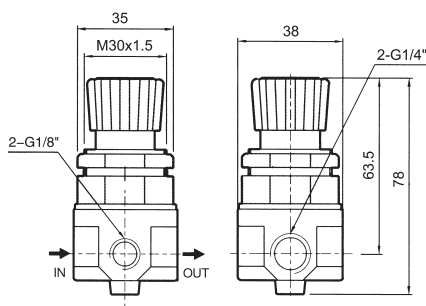
B07 Filter regulator



AFR2000J Filter regulator



R200 Regulator



Auto-drain(ZDPS)



It's mounted at the bottom of automatic drainer, air filter, and the bowl of compressed regulator, to automatically discharge the accumulated condensate.