

Stainless Steel Cylinder

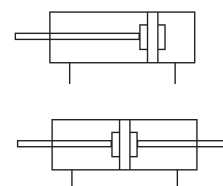
Character:

- Adopt imported aluminum alloy tube,light,precise,friction & corrosion durable.
- Use imported non-lubrication oil seal,fits for high speed movement.
- No draw rod type,tube and covers made by roll extrusion.
- Unique design and assembly warrant its in line.
- Has mechanical cushion to avoid fatigue caused by high shock load.
- Has non-lubrication bearing,no maintenance for long time work with longer life than usual one.
- Magnet in piston,whole series can be attached with sensor switch.



Specification:

Mode	12	16	20	25	32	40
Acting type	Double acting					
Series	MS, MSD					
Fluit	air					
Operating pressure(Mpa)	0.1~0.9					
Operating speed(mm/sec)	50~500					
Ambient temperature(°C)	-10~70°C					
Oil	provided or not					
Port size	M5		1/8"			



How to order:

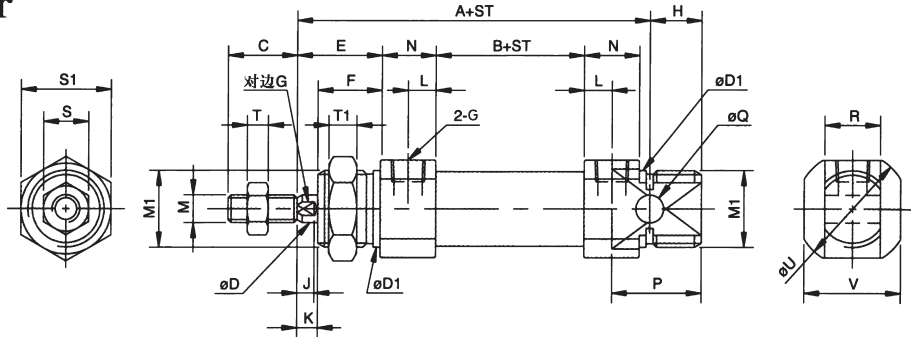
MS	20	×	100	LB	S	2												
series	bore		stroke	mounting type	with magnet	sensors												
MS:stainless steel cylinder MSD:Double rod stainless steel cylinder	<table border="1"> <tr><td>φ 12</td><td>φ 16</td></tr> <tr><td>φ 20</td><td>φ 25</td></tr> <tr><td>φ 32</td><td>φ 40</td></tr> </table>	φ 12	φ 16	φ 20	φ 25	φ 32	φ 40			<table border="1"> <tr> <td>LB</td> <td></td> </tr> <tr> <td>FA/FB</td> <td></td> </tr> </table>	LB		FA/FB		S:with magnet blank without magnet	<table border="1"> <tr><td>1:1</td></tr> <tr><td>2:2</td></tr> </table>	1:1	2:2
φ 12	φ 16																	
φ 20	φ 25																	
φ 32	φ 40																	
LB																		
FA/FB																		
1:1																		
2:2																		

Stroke:

bore	standard stroke mm										
	10	25	40	50	80	100	125	160	200	250	300
12	■	■	■	■	■	■					
16	■	■	■	■	■	■	■	■	■		
20	■	■	■	■	■	■	■	■	■		
25	■	■	■	■	■	■	■	■	■		
32	■	■	■	■	■	■	■	■	■	■	
40	■	■	■	■	■	■	■	■	■	■	■

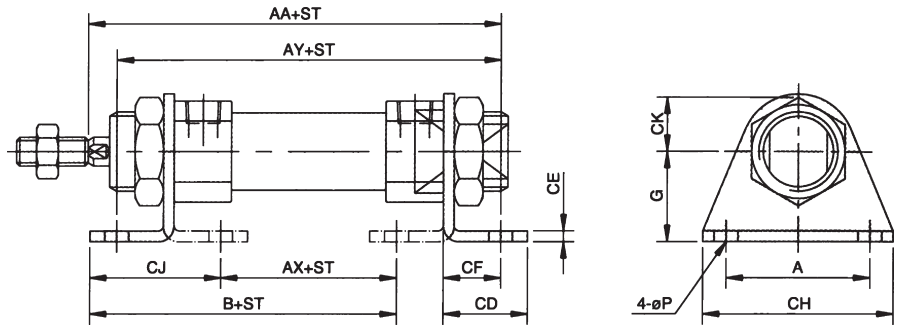
Stainless Steel Cylinder

Dimension



bore	A	B	C	φD1	φD	E	F	G	H	J	K	L	M1	M	N	P	φQ	R	S1	S	TI	T	φU	G	V
12	75	27	16	16	6	22	17	-	13	-	5	4	M16x1.5	M6x1.0	11.5	22	6	12	22	10	6	4	20	M5	19
16	82	33	16	16	6	22	17	-	13	-	5	4	M16x1.5	M6x1.0	12	22	6	12	22	10	6	4	20	M5	19
20	95	36	20	21.5	8	24	18	7	15	5	6	7	M22x1.5	M8x1.25	16	26	8	16	27	13	8	5	28	1/8	24
25	104	36	22	22	10	28	20	9	11	6	8	7	M22x1.5	M10x1.25	16	25	8	16	27	17	8	6	33.5	1/8	30
32	120	40	22	24	12	30	20	10	10	7	10	8	M24x1.5	M10x1.25	18	33	10	16	32	17	10	6	38	1/8	35.3
40	130	48	24	30	16	30	20	13	12	7	10	8	M30x1.5	M12x1.25	18	28	12	20	41	19	10	7	44.8	1/8	42

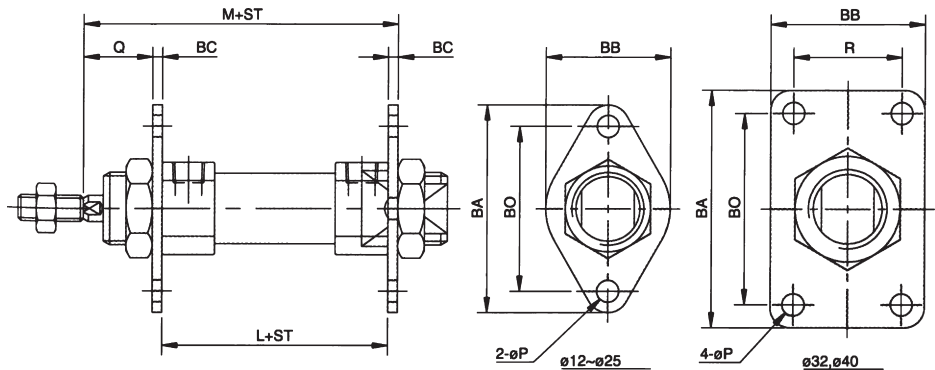
Foot bracket(LB)



bore	AA	AX	AY	B	CJ	CD	CF	CE	CH	CK	A	G	φP
12	85	30	76	62	32	19	13	3	43	12	32	20	5.5
16	91	36	82	68	32	19	13	3	43	12	32	20	5.5
20	108	42	100	79	37	23.5	16	3	53	16	40	25	6.6
25	112	42	100	83	41	23.5	16	3	53	16	40	25	6.6
32	129	32	124	83	51	33	25	4	59	19	45	32	6.6
40	141	42	134	93	51	33	25	4	64	23	50	36	6.6

Front flange(FA)

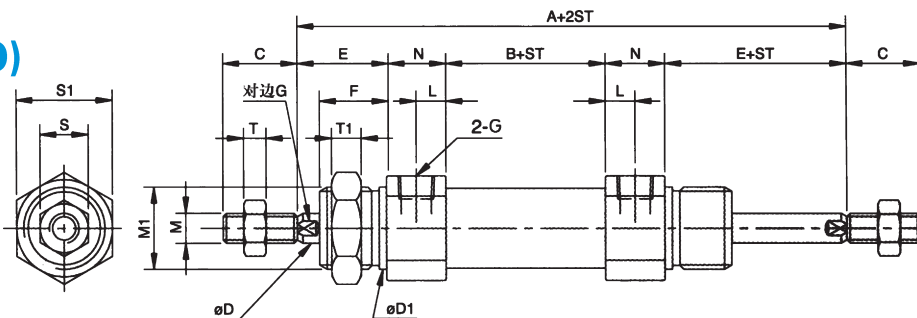
Real flange (FB)



bore	BA	BB	BC	M	BO	P	O	R	L
12	51	28	3	75	40	5.5	19	-	50
16	51	28	3	81	40	5.5	19	-	56
20	63	38	5	95	50	6.6	21	-	68
25	63	38	5	99	50	6.6	25	-	68
32	72	47	5	109	58	6.6	25	33	74
40	84	50	5	119	70	6.6	25	36	84

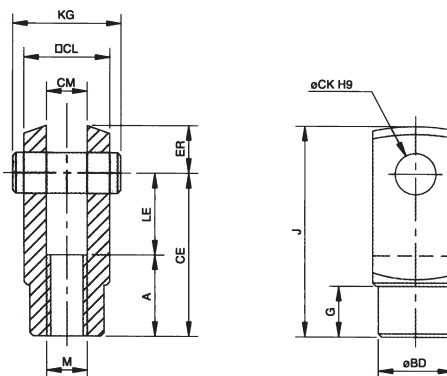
Stainless Steel Cylinder

Double shaft (MSD)



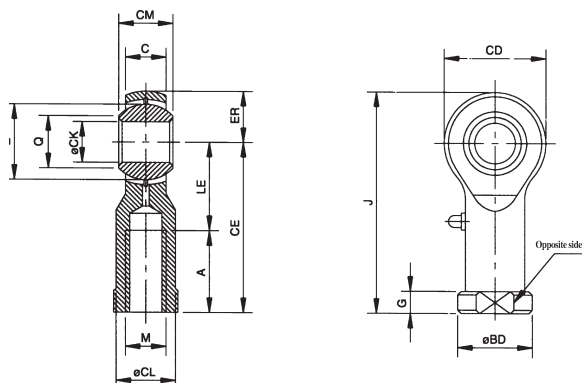
bore	A	B	C	φD	φD1	E	F	G	H	J	K	L	M	M1	N	P	φO	R	S	S1	T	T1	φU	G
20	116	36	20	8	22	24	18	7	15	5	6	7	M8x1.25	M22x1.5	16	26	8	16	13	27	5	8	28	1/8
25	124	36	22	10	22	28	20	9	12	6	8	7	M10x1.25	M22x1.5	16	25	8	16	17	27	6	8	33.5	1/8
32	134	40	22	12	24	30	20	10	10	7	10	8	M10x1.25	M24x1.5	17	26	10	16	17	32	6	10	37.5	1/8
40	144	48	24	16	30	30	20	13	12	7	10	8	M12x1.25	M30x1.5	18	28	12	20	19	41	7	10	46.5	1/8

Y connector



bore	A	M	CE	φCK	□CL	CM	ER	KG	LE	φBD	G	J
12	12	M6x1.0	24	6	12	6	7	17	12	10	9	31
16	12	M6x1.0	24	6	12	6	7	17	12	10	9	31
20	16	M8x1.25	32	8	16	8	10	21	16	14	13	42
25	20	M10x1.25	40	10	19	10	12	26	20	17	15	52
32	20	M10x1.25	40	12	19	10	12	26	20	17	15	52
40	24	M12x1.25	48	16	24	12	12	32.5	24	22	15	60

P connector



bore	A	M	CE	φCK	φCL	CM	ER	LE	φBD	C	E	G	J	Q	X
12	14	M6x1.0	30	6	10	9	9	16	13	7	12.7	5	39	8.96	11
16	14	M6x1.0	30	6	10	9	9	16	13	7	12.7	5	39	8.96	11
20	17	M8x1.25	36	8	12.5	12	11	19	16	9	15.8	5	47	10.4	14
25	21	M10x1.25	43	10	15	14	13	22	19	11	19.1	6.5	56	12.9	17
32	21	M10x1.25	43	10	15	14	13	22	19	11	19.1	6.5	56	12.9	17
40	24	M12x1.25	50	12	17.5	16	15	26	22	12	22.2	6.5	65	15.4	19