



**Model Name** **MX507 Digital Projector**

**Unique selling point** **Trade Mark**

- \* SmartEco Power Saving technology
- \* Up to 10000 hours Long lamp life
- \* <0.5W standby mode
- \* New 3D format for entertainment



<b>Projection System</b>	DLP
<b>Native Resolution</b>	XGA(1024 x 768)
<b>Brightness</b>	3200AL
<b>Contrast Ratio</b>	13000:1
<b>Display Color</b>	1.07 Billion Colors
<b>Lens</b>	F=2.56-2.8, f=22-24.1mm
<b>Aspect Ratio</b>	Native 4:3 (5 aspect ratio selectable)
<b>Throw Ratio</b>	1.96-2.15 (78" @3.1m)
<b>Image Size (Diagonal)</b>	60"-180"/ 300"
<b>Zoom Ratio</b>	1.1:1
<b>Lamp Type</b>	190W
<b>Lamp(Normal/Economic/SmartEco/ LampSaveMode)*</b>	4000/6000/6500/10000 hours
<b>Keystone Adjustment</b>	1D, Vertical +/- 40 degrees
<b>Projection Offset</b>	120% ±5%
<b>Resolution Support</b>	VGA(640 x 480) to UXGA(1600 x 1200)
<b>Horizontal Frequency</b>	15~102KHz
<b>Vertical Scan Rate</b>	23~120Hz

<b>Compatibility</b>	HDTV Compatibility	480i, 480p, 576i, 576p, 720p, 1080i, 1080p
	Video Compatibility	NTSC, PAL, SECAM
	3D Compatibility (Please refer to User's Manual for detailed support timing.)	

<b>Interface</b>	Computer in (D-sub 15pin)	x 2(Share with component)
	Monitor out (D-sub 15pin)	x 1
	Composite Video in (RCA)	x 1
	S-Video in (Mini DIN 4pin)	x 1
	Audio in (Mini Jack)	x 1
	Audio out (Mini Jack)	x 1
	Speaker	2W x 1
	USB (Type Mini B)	x1 (Download & page/down)
	RS232 (DB-9pin)	x 1
	IR Receiver	x1 (Front)

<b>Dimensions</b>	Dimensions(W x H x D)	283 x 95 x 222 mm (w/ feet) 283 x 88.7 x 222 (w/o feet)
	Weight	1.8kg (3.96lbs)

<b>Power</b>	Power Supply	AC100 to 240 V, 50 to 60 Hz
	Power Consumption	270W(Normal), 220W (Eco) Standby<0.5W

<b>Audible Noise</b>	33/28 dBA (Normal/Economic mode)
----------------------	----------------------------------

<b>On-Screen Display Languages</b>	Arabic/Bulgarian/ Croatian/ Czech/ Danish/ Dutch/ English/ Finnish/ French/ German/ Greek/ Hindi/ Hungarian/ Italian/ Indonesian/ Japanese/ Korean/ Norwegian/ Polish/ Portuguese/ Romanian/ Russian/ Simplified Chinese/Spanish/ Swedish/ Turkish/ Thai/ Traditional Chinese (28 Languages)
------------------------------------	--

<b>Picture Modes</b>	Dynamic/Presentation/sRGB/Cinema/User 1/User 2
----------------------	--

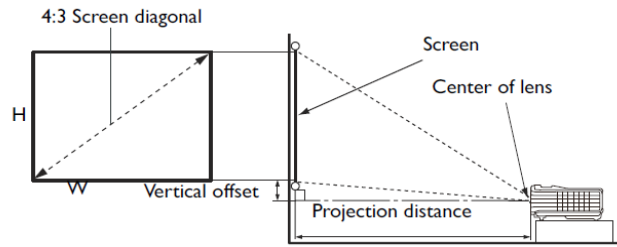
<b>Accessories</b>	<b>Standard</b>	<b>Optional</b>
	Remote Control w/ Battery	Spare Lamp Kit
	Power Cord (by region)	Ceiling Mount
	Quick Start Guide	3D Glasses
	Warranty Card (by region)	Carry bag
	VGA(D-sub 15pin) Cable	

\*Lamp life results will vary depending on environmental conditions and usage. Actual product's features and specifications are subject to change without notice.

# MX507 Digital Projector

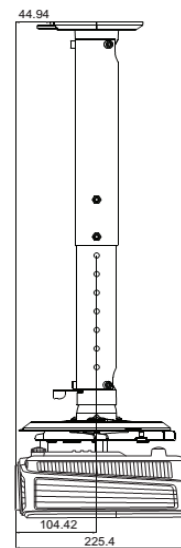
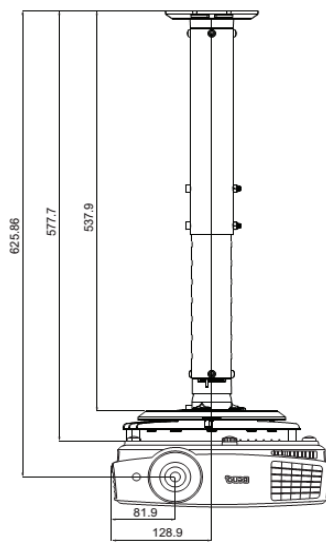
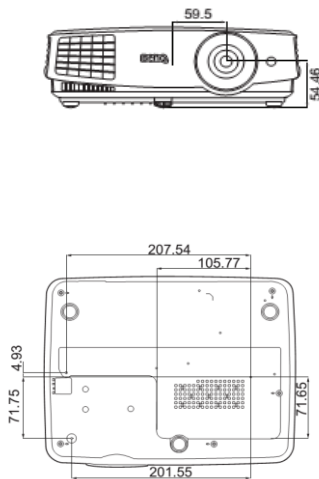
## Distance Chart

Screen size				Distance from screen (mm)			Vertical offset (mm)
Diagonal		W (mm)	H (mm)	Min length (max. zoom)	Average	Max length (min. zoom)	
Inch	mm						
30	762	610	457	1134	1191	1247	46
40	1016	813	610	1512	1587	1663	61
50	1270	1016	762	1890	1984	2079	76
60	1524	1219	914	2268	2381	2494	91
80	2032	1626	1219	3024	3175	3326	122
100	2540	2032	1524	3780	3968	4157	152
120	3048	2438	1829	4535	4762	4989	183
150	3810	3048	2286	5669	5953	6236	229
200	5080	4064	3048	7559	7937	8315	305
220	5588	4470	3353	8315	8731	9146	335
250	6350	5080	3810	9449	9921	10394	381
300	7620	6096	4572	11339	11905	12472	457



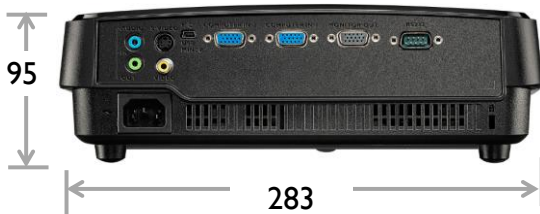
## Wall mount/Ceiling mount Chart

Ceiling Mount screw: M4  
(Max L = 25 mm; Min L = 20 mm)



Unit: mm

## Dimension



283

Unit: mm

