



RAUPIANO PLUS

The versatile acoustic drainage and trade waste system
Installer guide

CONTENTS

Information and safety recommendations	3
System Information	4
Transportation, storage and handling	6
Product list	7
Trade waste	17
Acoustic performance	18
Assembly procedure	20
Joining process	21
Cutting pipes	21
Deburring and chamfering	22
Push-fit joint	23
Withdraw 10mm	24
Pipe support	25
Brackets	25
Sound dampening bracket	26
Vertical stack	27
Horizontal line	28
Anchor points	30
Inspection opening access pipe and pipe cap	31
Push-fit lock	32
P trap siphon/110mm disconnecter gully	33
Floor waste gully - installation	34
Installation advices	36
Connection to PVC pipe	37
Connection to other metal or plastic pipe	38
Connection to cast iron	40
Leak test	41
Fire protection solutions	42
Overview	43

RAUPIANO PLUS

Information and safety recommendations

Notes on this Installation Guide

Applicability

This Installation guide is applicable for Australia.

This Installation guide is subject to technical modification and meant to be used in conjunction with the latest version of REHAU's Installation and Technical Manual "RAUPIANO PLUS". For current information, please contact your REHAU Sales Office.

The current technical information is available from your REHAU sales office, or as download on the internet at www.reece.com.au or www.rehau.com.au/raupiano.

All schematics show general examples only and are not intended to satisfy the installation requirements for any particular project. Specific measures for fire protection, acoustics, structural integrity etc. may or may not be required depending on building class and design. Check with responsible experts and refer to the National Construction Code for detailed information.

Pictograms and logos



Legal information



Important information



Information on the Internet

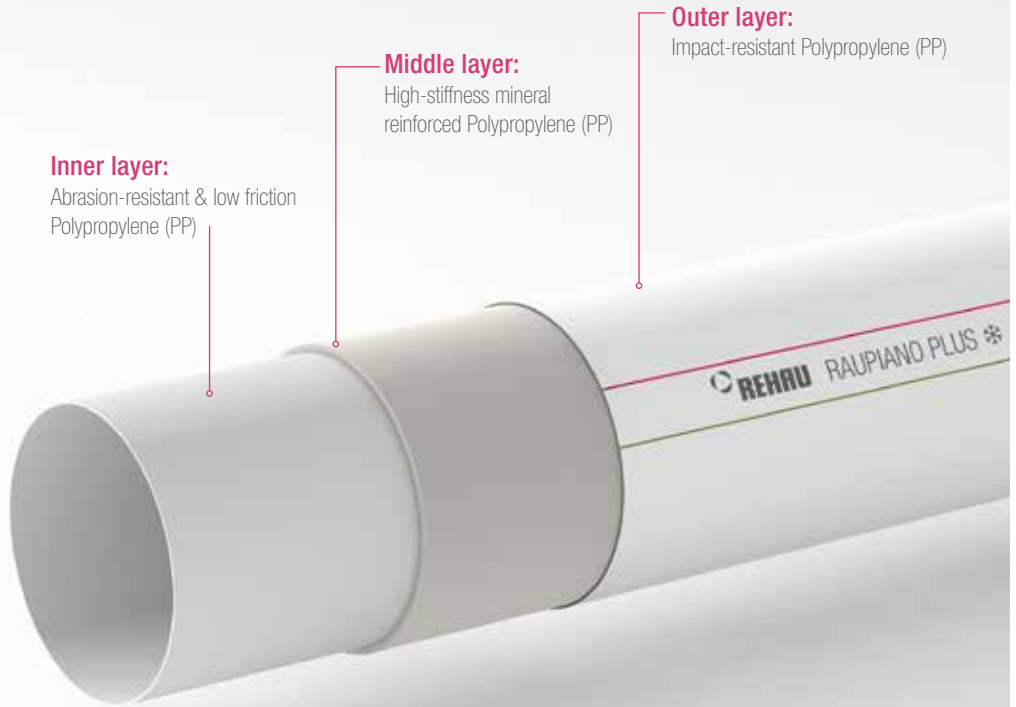


Advantage

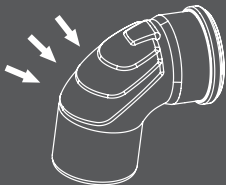


RAUPIANO PLUS

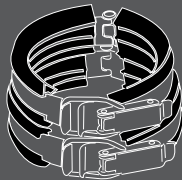
System information



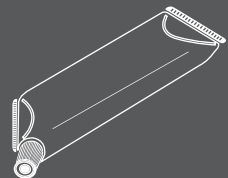
Sound absorbing bends



Rubber lined brackets



Lubricant



A man with a beard, wearing a red baseball cap and a red t-shirt, is holding a large, white, cylindrical object. The object has some text and a barcode printed on it. The background is a blurred industrial or construction site.

ADVANTAGES

- Excellent sound-insulation properties
- Eliminates acoustic-lagging
- Fast and easy installation
- The joint is designed to absorb any thermal expansion
- High quality product
- Green material, non-toxic material without halogen

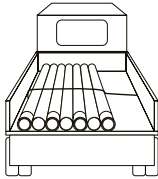
RAUPIANO PLUS

Transportation, storage and handling

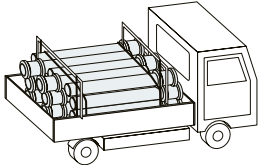
Transportation

RAUPIANO PLUS proves its robustness during transport and at the construction site thanks to its three-layer structure and impact-resistant and shock-proof outer layer. Ensure that pipes make firm contact over their entire length.

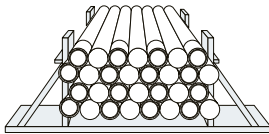
Correct transportation procedure



Where possible use a truck for deliveries. Lay pipe flat on the tray



Keep pipe strapped down so it doesn't roll around and remains supported

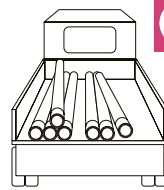


Alternate socket and pipe ends when loading pipe

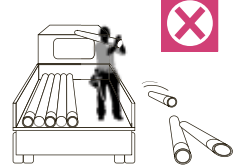
Storage

- Protect boxes from moisture during transport and storage.
- RAUPIANO PLUS and its seals can be stored outdoors for up to 1 year

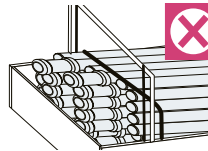
What not to do



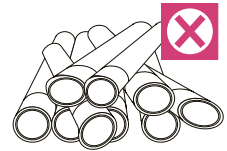
Do not throw pipe into the tray



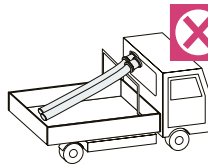
Do not throw pipe off the ute



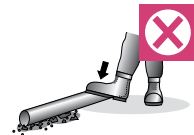
Do not over tighten with ratchet



Take care with O-rings and ensure they are in good condition



Unsupported pipes can bend



Keep pipes clear of building debris whilst on site

RAUPIANO PLUS

Product list

Pipe Sizing Chart

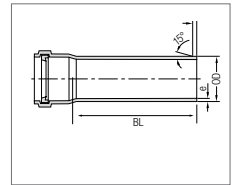
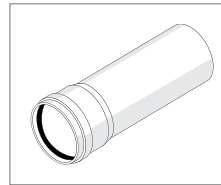
PVC		RAUPIANO PLUS	
DN	OD (mm)	DN	OD (mm)
40	43	40	40
50	56	50	50
65	69	75	75
100	110	110	110
150	160	160	160

Pipes

With push-fit socket and rubber sealing ring

Material: RAU-PP (mineral reinforced)

Colour: white



REHAU Article	REECE Code	DN/OD in mm	e	Length (mm) BL
123014	1450819	40	1.8	250
123024	1450820	40	1.8	500
123034	1450821	40	1.8	1000
123054	1450823	40	1.8	3000
120104	1450825	50	1.8	250
120114	1450826	50	1.8	500
120134	1450828	50	1.8	1000
120934	1450831	50	1.8	3000
120184	1450833	75	1.9	250
120194	1450834	75	1.9	500
120214	1450836	75	1.9	1000
120944	1450839	75	1.9	3000
120264	1450848	110	2.7	250
120274	1450849	110	2.7	500
120294	1450851	110	2.7	1000
120324	1450854	110	2.7	3000
122954	1450863	160	3.9	500
121664	1450864	160	3.9	1000
121684	1450866	160	3.9	3000

RAUPIANO PLUS

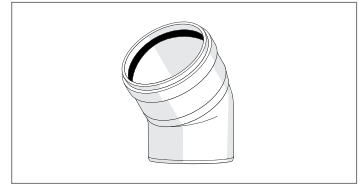
Product list

Bend

With rubber sealing ring

Material: RAU-PP (mineral reinforced)

Colour: white



REHAU Article	REECE Code	DN/OD in mm	Angle
123064	1450724	40	15°
121094	1450728	50	15°
121144	1450733	75	15°
123424	1450710	110	15°
123092	1450969	160	15°
123074	1450725	40	30°
121104	1450729	50	30°
121154	1450734	75	30°
123434	1450711	110	30°
123096	1450970	160	30°
123084	1450726	40	45°
121114	1450730	50	45°
121164	1450735	75	45°
123444	1450712	110	45°
124028	1450720	160	45°
100255 ⁽¹⁾	1450972	40	87°
100276 ⁽¹⁾	1450973	50	87°
100278 ⁽¹⁾	1450974	75	87°
100259 ⁽¹⁾	1450971	110	87°
124029	1450721	160	87°

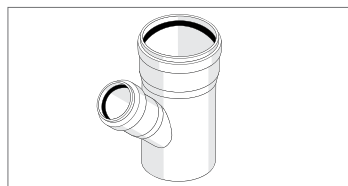
Note: ⁽¹⁾ Swept bend

Single Branch junction

With rubber sealing ring

Material: RAU-PP (mineral reinforced)

Colour: white



REHAU Article	REECE Code	DN/OD in mm	Angle
123104	1450902	40/40	45°
121234	1450904	50/50	45°
121264	1450906	75/50	45°
121294	1450908	75/75	45°
121304	1450916	110/50	45°
121334	1450918	110/75	45°
122984	1450920	110/110	45°
124037	1450926	160/110	45°
124038	1450930	160/160	45°
123114	1450903	40/40	87°
121254	1450905	50/50	87°
121284	1450907	75/50	87°
121544	1450909	75/75	87°
121324	1450917	110/50	87°
121344	1450919	110/75	87°
123005 ⁽¹⁾	1450921	110/110	87°
124069	1450927	160/110	87°
124077	1450931	160/160	87°

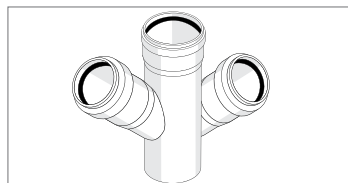
Note: ⁽¹⁾ Swept angle

Double Branch junction

With rubber sealing rings

Material: RAU-PP (mineral reinforced)

Colour: white



REHAU Article	REECE Code	DN/OD in mm	Angle
122964	1450756	110/110/110	45°
123076	1450759	160/110/110	45°

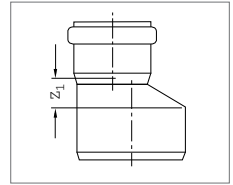
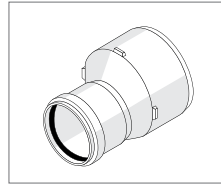
RAUPIANO PLUS

Product list

Reducer with rubber sealing ring

Material: RAU-PP (mineral reinforced)

Colour: white

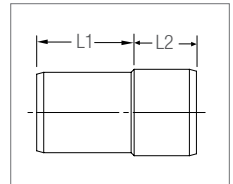
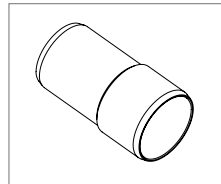


REHAU Article	REECE Code	DN/OD in mm	Z ₁ (mm)
123124	1450871	50/40	12
121384	1450872	75/50	20
121394	1450875	110/50	40
121404	1450876	110/75	26
124039	1450879	160/110	33

PVC Adaptor

Material: PVC

Colour: white

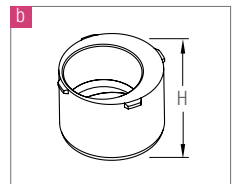
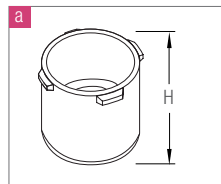


REHAU Article	REECE Code	RAUPIANO DN/OD in mm	PVC DN	L ₁ (mm)	L ₂ (mm)
123009	1450706	40	40	47	31
123012	1450707	50	50	48	34
123016	1450708	75	75	43	51

PVC Adaptor Bush

Material: PVC

Colour: white



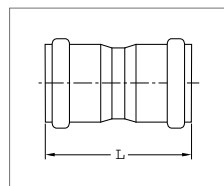
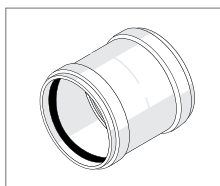
REHAU Article	REECE Code	RAUPIANO DN/OD in mm	PVC DN	H (mm)
103525 (a)	1451089	50	40	48.5
103526 (b)	1451090	75	50	54.9

Double Socket

With rubber sealing rings

Material: RAU-PP (mineral reinforced)

Colour: white



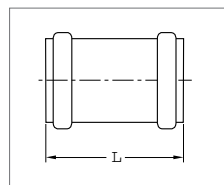
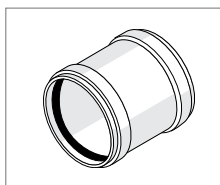
REHAU Article	REECE Code	DN/OD in mm	L (mm)
123144	1450768	40	89
121484	1450769	50	93
121584	1450770	75	111
121494	1450772	110	128
124047	1450774	160	148

Slip-on Socket

With rubber sealing rings

Material: RAU-PP (mineral reinforced)

Colour: white



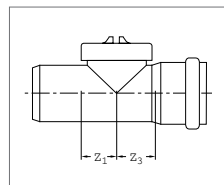
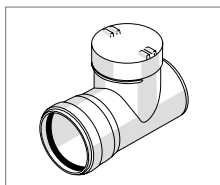
REHAU Article	REECE Code	DN/OD in mm	L (mm)
123154	1450935	40	89
121504	1450936	50	93
121574	1450937	75	111
121514	1450939	110	128
124048	1450941	160	148

I.O. Access Pipe

With surface-flushing insert and screwed cap and rubber sealing ring

Material: RAU-PP (mineral reinforced)

Colour: white



REHAU Article	REECE Code	DN/OD in mm	Z ₁ (mm)	Z ₃ (mm)
121039	1450805	50	28	30
123079	1450806	75	40	43
121534	1450808	110	57	62
124049	1450810	160	83	89

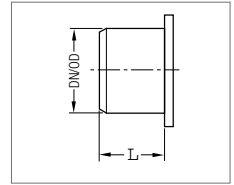
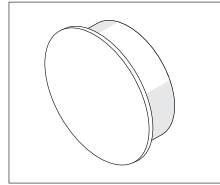
RAUPIANO PLUS

Product list

Socket Plug

Material: RAU-PP (mineral reinforced)

Colour: white



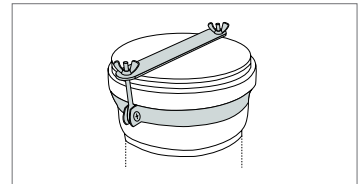
REHAU Article	REECE Code	DN/OD in mm	L (mm)
121454	1450944	50	34
121464	1450945	75	35
121474	1450947	110	37
123134	1450943	40	33
123106	1450949	160	49

Securing Clip

For securing the socket plug and should be ordered in conjunction with either socket plug 121474 or 123774

Material: Galvanized steel

Colour: Silver



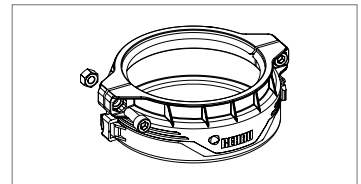
REHAU Article	REECE Code	DN in mm
123000	1450951	110
123002	1450952	160

Push-fit lock

To prevent the push-fit joint from sliding apart at higher pressure and improve pressure resistance up to 2 bars. Supplied together with the necessary bolts and nuts

Material: Polyamide

Color: Black



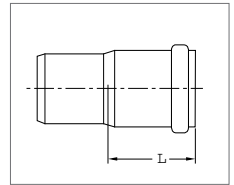
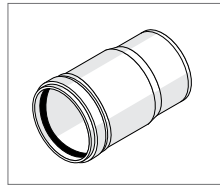
REHAU Article	REECE Code	ID in mm
100659	1450982	40
100661	1450983	50
100662	1450984	75
100664	1450985	110
102946	1450986	160

Long Socket

With rubber sealing ring

Material: RAU-PP (mineral reinforced)

Colour: white



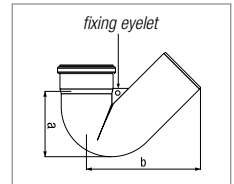
REHAU Article	REECE Code	DN/OD in mm	L (mm)
121594	1450812	110	130

P-trap

To be used in conjunction with either DN 50 or DN 110 45 degree bend. With rubber sealing ring and fixing eyelet.

Material: RAU-PP (mineral reinforced)

Colour: white



REHAU Article	REECE Code	DN/OD in mm	a (mm)	b (mm)
123115	1448659	50	93	164
123039	1450870	110	142	251

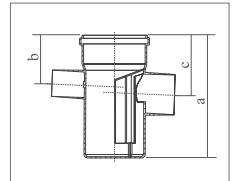
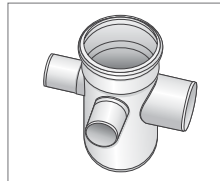
Floor Waste Gully

With 3x DN 50 inlets + 1 x DN75 outlet. Includes removable baffle.

DN50 inlets require DN50 double socket

Material: RAU-PP (mineral reinforced)

Colour: white



REHAU Article	REECE Code	DN/OD in mm	a (mm)	b (mm)	c (mm)
100391	1450960	50/50/50/75	222	87	105

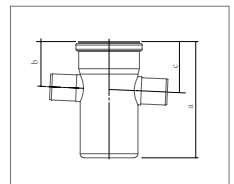
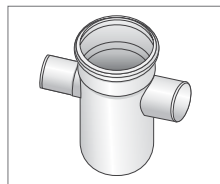
Shower Gully

With 1 x DN 50 inlet + 1 x DN50 outlet. Includes removable baffle.

DN 50 inlet requires DN 50 double socket

Material: RAU-PP (mineral reinforced)

Colour: white



REHAU Article	REECE Code	DN/OD in mm	a (mm)	b (mm)	c (mm)
103915	1448658	50/50	222	87	96

RAUPIANO PLUS

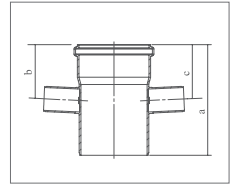
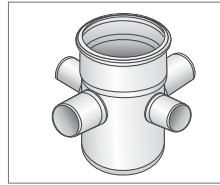
Product list

4-Way Riser

With 2 x DN 50 inlets + 2 x DN 40 outlets.
 DN 50 inlet requires DN 50 double socket,
 DN 40 inlet requires DN 40 double socket

Material: RAU-PP (mineral reinforced)

Colour: white



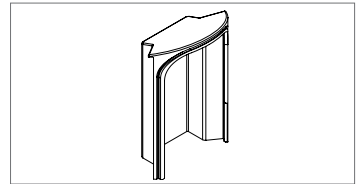
REHAU Article	REECE Code	DN/OD in mm
104978	1448657	50/50/40/40

Baffle (spare part)

Removable baffle for RAUPIANO PLUS floor gully with rubber sealing to provide air-tightness

Material: ABS

Color: white



REHAU Article	REECE Code
102226	1450981

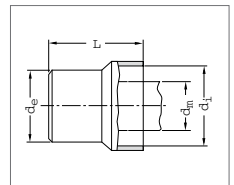
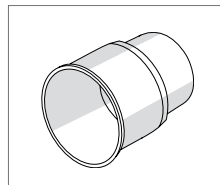
Connection Pipe

For connection to other pipe materials. To be used together with rubber nipple

Material: RAU-PP (mineral reinforced)

Colour: white

Application: refer to page 38



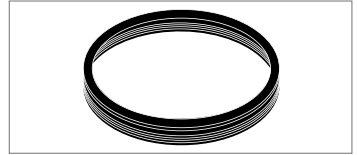
REHAU Article	REECE Code	DN/OD in mm	Metal pipe outer d_m	d_e (mm)	d_f (mm)	L (mm)
123164	1450752	40/40-30	32 - 40	40	53.7	63
121414	1450753	50/40-30	32 - 40	50	53.7	61
121424	1450754	50/50	47 - 50	50	67.2	50

Rubber Sealing Ring

For pipe and fitting sockets

Material: rubber

Colour: black



REHAU Article	REECE Code	OD in mm
128243	1450887	40
128013	1450888	50
128023	1450889	75
128033	1450891	110
128053	1450893	160

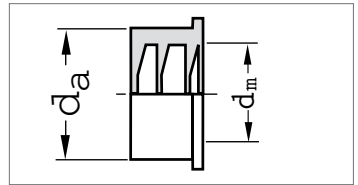
Rubber Nipple

For connection to other pipe materials. To be used together with connection pipe.

Material: rubber

Colour: black

Application: refer to page 38



REHAU Article	REECE Code	DN in mm	Metal pipe outer d_m	d_a (mm)
126253	1450882	50/40	32 - 40	55
121913	1450883	50/50	47 - 50	68

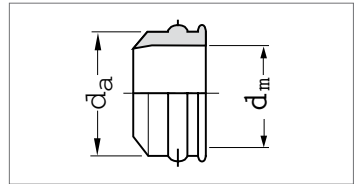
Rubber Nipple with Bead

For connection to other pipe materials. Replaces the pre-assembled rubber sealing ring in RAUPIANO PLUS pipes or fittings.

Material: rubber

Colour: black

Application: refer to page 39



REHAU Article	REECE Code	DN in mm	d_a (mm)	Metal pipe outer d_m
122923	1450884	40/30	40.5	32 - 40
122933	1450885	50/30	50.5	32 - 40
122943	1450886	50/40	50.5	47 - 50

Lubricant

For push-fit connections



REHAU Article	REECE Code	Size
128943	1450814	250 g
128953	1450815	500 g

RAUPIANO PLUS

Product list

Sound-dampening Support Bracket

Material: galvanised strip steel

Colour: Black

Includes: Supporting and fastening clamps and headless screw

Application: 1 per stack per floor. Refer to Chapter 7



REHAU Article	REECE Code	DN in mm
122004	1450954	75
122014	1450956	110
122034	1450958	160

Guiding Bracket

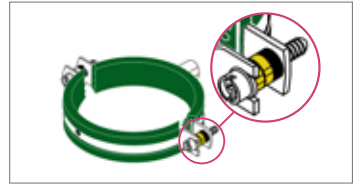
With rubber lining and distance piece

Material: galvanised strip steel

Colour: Green with yellow adjustment spacers.

Spacers may be removed for tight fit on pipe

Application: Used as a guiding clamp. Refer to Chapter 7



REHAU Article	REECE Code	DN in mm
122654	1450795	40
120534	1450796	50
120019	1450797	75
120027	1450799	110
120057	1450801	160

Fixing/Security Bracket

With rubber lining

Material: galvanised strip steel

Colour: Black

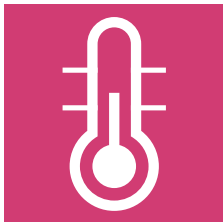
Application: Fixing clamp and security clamp. Refer to Chapter 7



REHAU Article	REECE Code	DN in mm	Adjustable Range (mm)
122644	1450787	40	38-43
120504	1450788	50	50-56
120026	1450789	75	70-76
120029	1450791	110	108-116
120049	1450793	160	159-168

RAUPIANO PLUS

Greasy trade waste

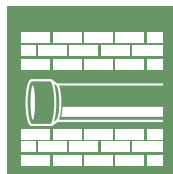


With its outstanding system properties, RAUPIANO PLUS can be used in more challenging environments. It is resistant to various types of chemicals ranging from pH 2 to pH 12. RAUPIANO PLUS can also withstand extreme temperatures. It can handle hot water up to 90°C (or 95°C for short periods), making it an excellent system for greasy trade waste applications. It can also be installed under extremely cold conditions of -10°C.

*For industrial applications consult your local REHAU office



commercial kitchens



in-concrete



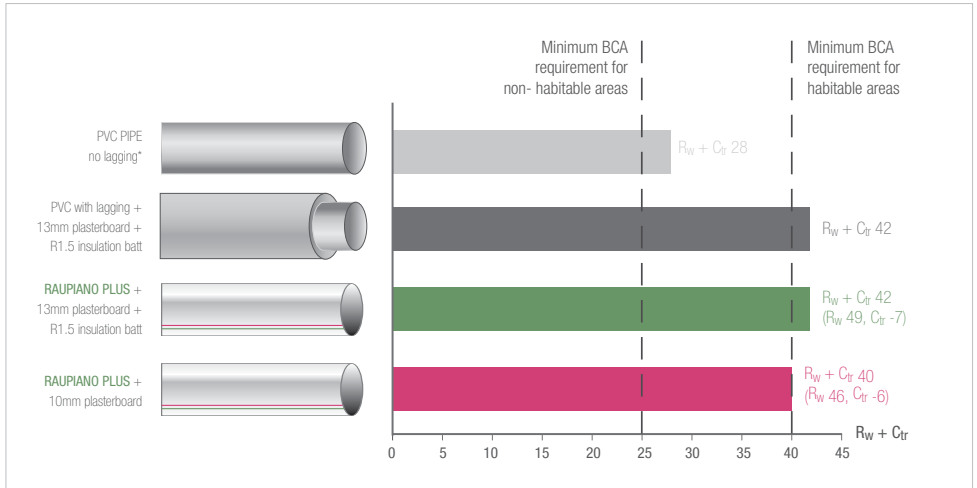
in-ground

RAUPIANO PLUS

Acoustic performance



RAUPIANO PLUS pipe system exceeds the $R_w + C_{tr} 40$ requirements of the National Construction Code Vol. 1 / Building Code of Australia, and that a stand alone RAUPIANO PLUS system is comparable, in terms of sound insulation, to a fully lagged PVC system behind a specified ceiling separation. Refer to RAUPIANO PLUS Installation and Technical Manual, Chapter 4 - Sound insulation.



Acoustic testing

** Boral Selector + Feb 2009 - System WP13, 13mm std core plasterboard with insulation (Graeme E Harding & Associates)*

Buildings not regulated by NCC/BCA

The acoustic requirements of buildings outside of NCC/BCA's scope tend to be different. The rooms are normally classified differently, and therefore have different noise level requirements. The L_{Amax} and the L_{Aeq} values are more of important values than $R_w + C_{tr}$.

RAUPIANO PLUS has gone through extensive acoustic testing with different ceilings, ranging from flush plasterboard to Rondo ceiling grid system with lay in tiles, and with different plasterboard thicknesses.



From very extensive raw data collected through real-life acoustic tests, AECOM assessed the acoustic performance of RAUPIANO PLUS and it was positively concluded that RAUPIANO PLUS achieves $R_w + C_{tr}$ 40 (R_w 46) with 10 mm plasterboard. That means RAUPIANO PLUS satisfies BCA's acoustic requirements for habitable and non-habitable areas with just 10 mm plasterboard, without lagging and without insulation batt.



The acoustic assessment letters from the acoustic consultants (Renzo Tonin & Associates, ASK Consulting Engineers, and AECOM) can be found in the website's download section under www.rehau.com.au/raupiano and www.rehau.co.nz/raupiano. The complete test reports can be provided upon request.

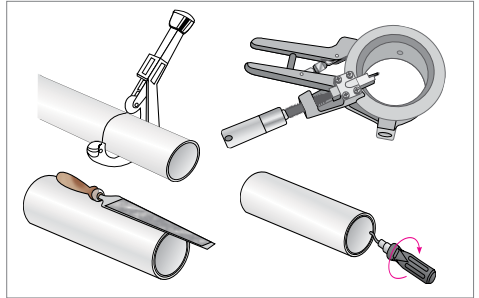
RAUPIANO PLUS

Assembly procedure

3 Steps Installation

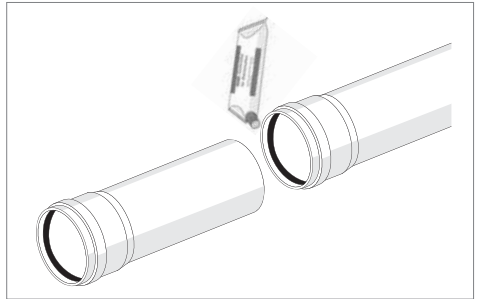
Step 1

Cut, chamfer and deburr



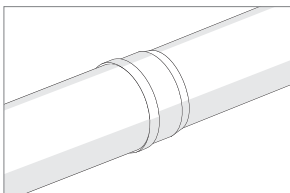
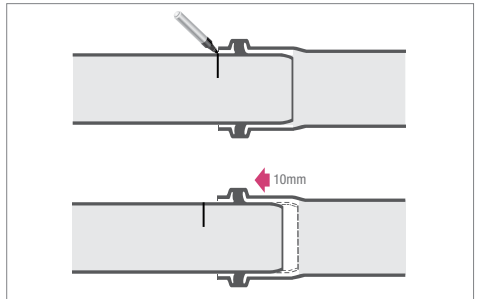
Step 2

Lubricate



Step 3

Push it in

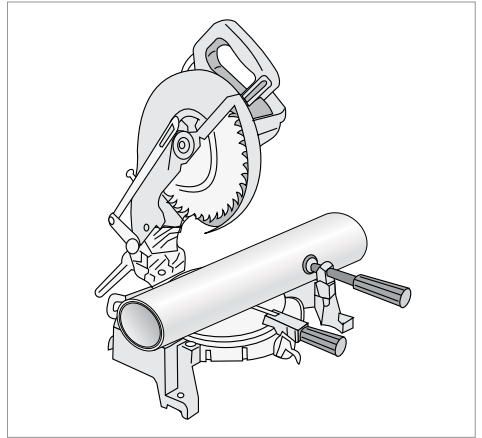
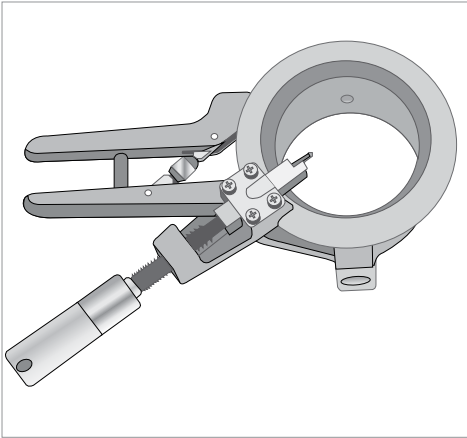
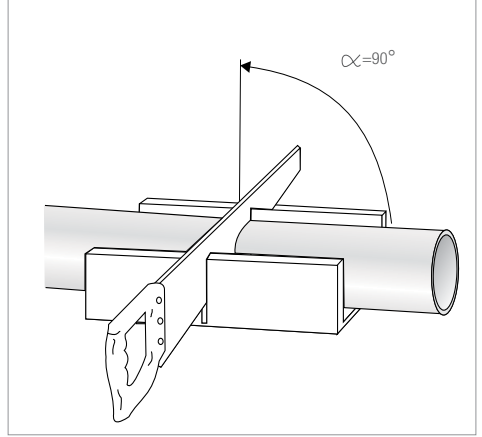
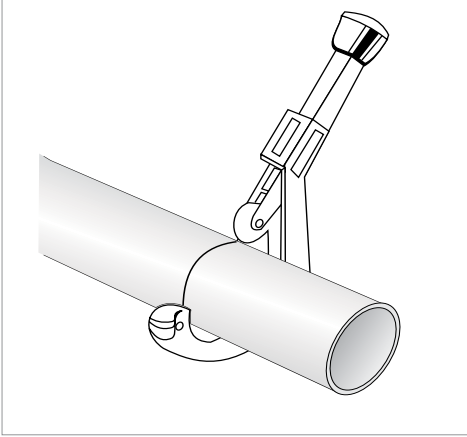


Pulling out is not required for:

- In ground installation
- Pipe length <500mm

RAUPIANO PLUS

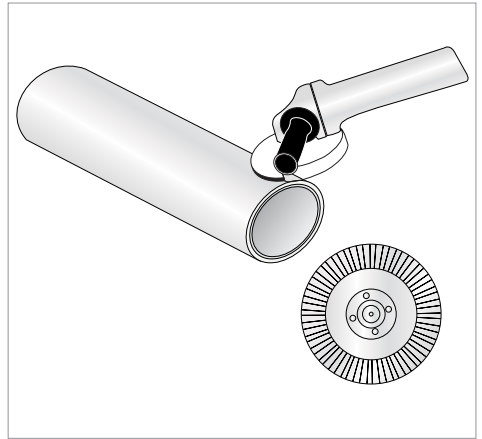
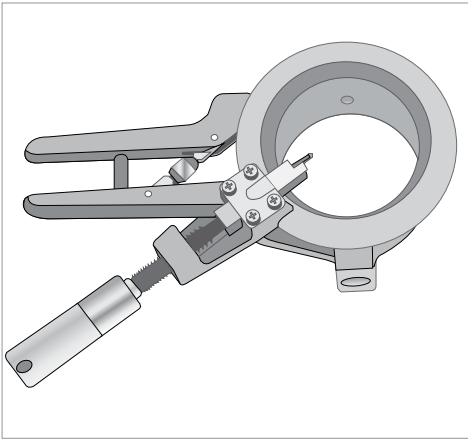
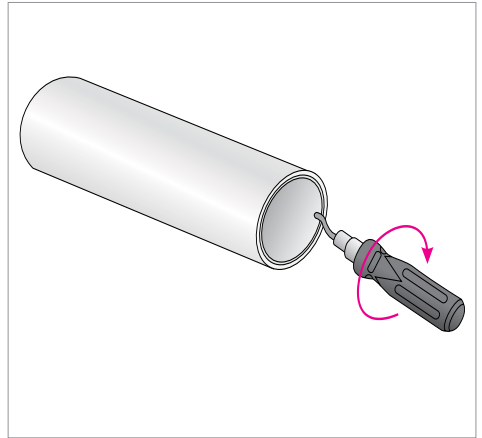
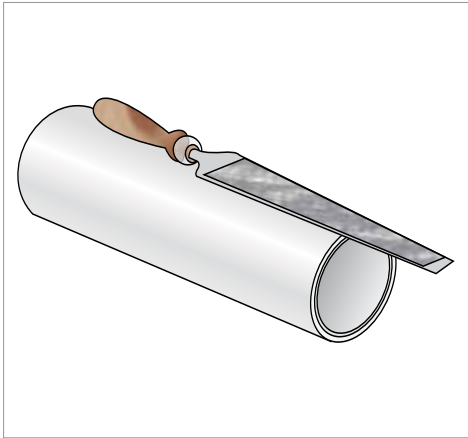
Joining process - cutting pipes



- 1 Ensure that the pipe is secured properly prior to cutting
- 2 Cut the pipes with common pipe cutters or a fine-toothed saw. Cut pipe at a 90° angle from the pipe axis.

RAUPIANO PLUS

Joining process - deburring and chamfering

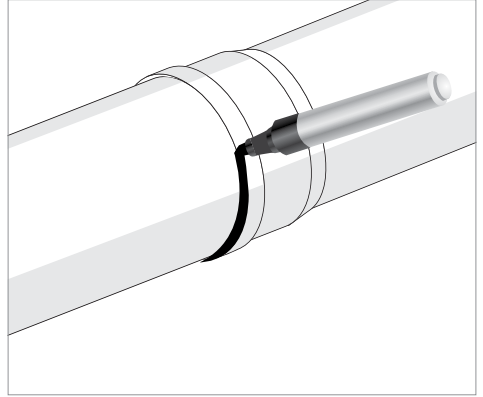


- 1 De-burr the inner diameter of the pipe.
- 2 For connections to push-fit socket pipe systems, taper the pipe ends with a tapering tool (i.e. Rothenberger Rocut cutter and chamfering tool 55020 DN 110 (Reece code: 7705255) or a coarse file at an angle of approximately 15°.

RAUPIANO PLUS

Push-fit joint

Pipe Assembly

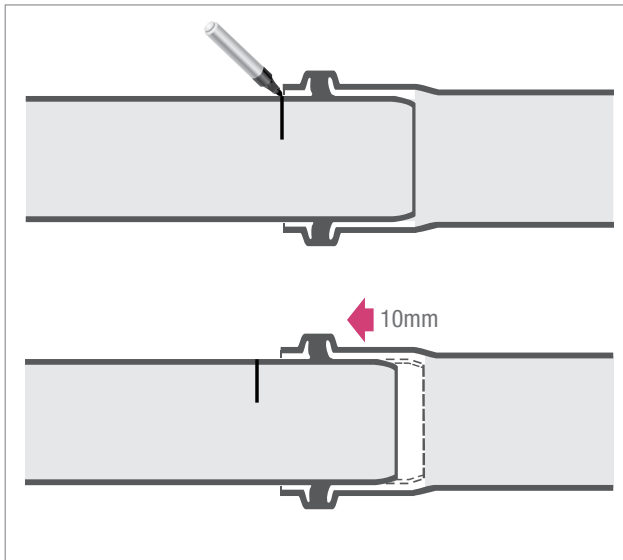


- 1 Clean dirt from sealing ring, socket interior and pipe end.
- 2 Use small amount of RAUPIANO lubricant (eg. a 10mm drop) to moisten chamfered pipe and O-ring then slide into the socket until it stops.
- 3 Mark inserted male end in this position at the socket edge with a pencil, pen etc.

Note: Please ensure seals are clean and free from dirt, dust or grime. If concern, remove seal and wash in water to remove debris. Ensure to replace seal in direction of flow.

RAUPIANO PLUS

Joining process - withdraw 10mm



To accommodate thermal expansion of RAUPIANO system, the following conditions are recommended. Ensure witness mark is visible to ensure that the pipe is not accidentally pulled out.

Insert fully and pull out 10mm per pipe for:

- Pipes longer than 500mm;

Insert spigot end fully into socket for:

- Pipes shorter than 500mm;
- In ground applications;
- Fitting to fitting.

RAUPIANO PLUS

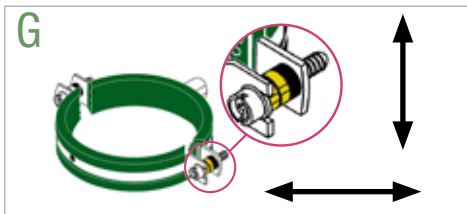
Pipe support - brackets

Bracket types



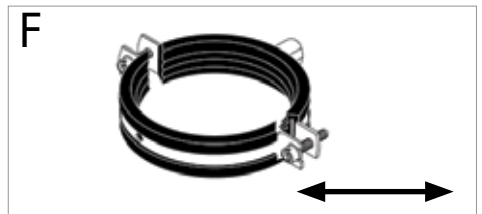
Sound-dampening bracket

- Minimizes transmission of vibrations from pipe through fixing into wall.
- Consists of loose and tight bracket:
 - lower bracket (loose) attaches to wall and de-couples pipe vibrations from wall fixing.
 - upper bracket (tight) supports pipe.
 - attach to vertical stack only 1 required per floor, per stack
 - REHAU proprietary



Guiding bracket

- Model: Bifix 5000
- Allows for thermal expansion of the pipe
- Always loose on pipe (has spacer)
- Fix to ceiling on horizontal pipes
- Fix to wall on vertical stack
- Insert 1 yellow spacer per side
- Walraven or REHAU approved



Fixing/security bracket

- Model: Bifix 1301
- Always tight on pipe
- When used as fixing bracket on horizontal pipes: fix to ceiling
- When used as security bracket in vertical stacks: never fix to wall
- Walraven or REHAU approved

RAUPIANO PLUS

Pipe support - sound dampening bracket

The patented sound-dampening support bracket consists of a supporting bracket (loose) and a fastening bracket (tight, sits above supporting bracket). One sound-dampening support bracket per floor is sufficient.



- Fit **fastening** bracket around the pipe and close it
- Ensure the taper of the fastening bracket is facing upwards



- Assemble **supporting** bracket on masonry
- Taper part of rubber facing up
- Round part of rubber facing down



- Open **supporting** bracket, insert pipe fitted with fastening bracket and close the supporting bracket
- Ensure the top supporting bracket rubber has the rounded end on the bottom which is supported in the taper of the fastening bracket



The **fastening** bracket rests on the supporting bracket to achieve optimum sound decoupling

Note: Failure to install correctly may compromise acoustic performance

RAUPIANO PLUS

Pipe support - vertical stack

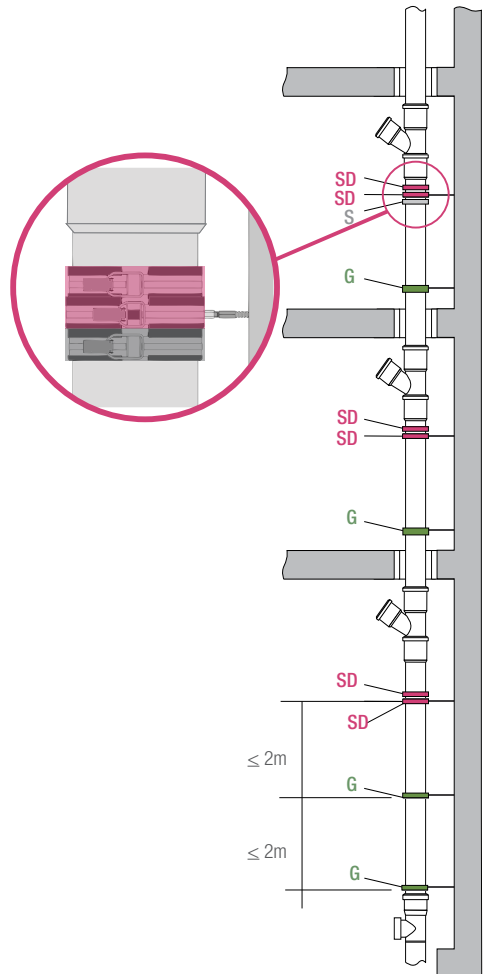
- SD** To be installed per stack per floor near the top
*If there is no acoustic requirements, replace SD bracket with fixing bracket
- S** To be installed under the SD bracket every third floor
*Installed tight onto pipe but not touching the wall
- G** To be installed per stack per floor near the bottom
If the floor to ceiling height is $\geq 4\text{m}$, use an additional guiding clamp spaced 2m apart.

Note: Install RAUPIANO stack from bottom to top



- Although it is a good practice to install the sound-dampening bracket directly below the pipe socket, it is not necessary to do so as long as it is not installed on the socket itself.
- The guiding bracket permits free longitudinal movement of RAUPIANO PLUS pipe.
- For non acoustic installations, the sound dampening bracket can be replaced with a fixing/ security bracket.

- SD** - Sound-dampening bracket*
- G** - Guiding bracket (loose)
- S** - Security bracket (tight)
- F** - Fixing bracket (tight)



* Magenta colour for illustration purposes only. Bracket colour is black.

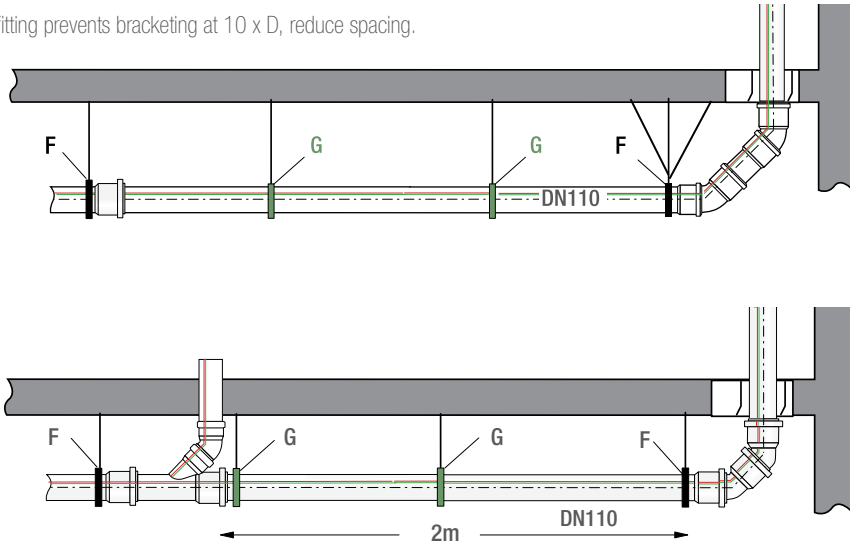
RAUPIANO PLUS

Pipe support - horizontal line

Fixing bracket hold pipe in place. Guiding clamps allow for thermal expansion in one direction.

Pipe size (DN)	Collar OD (mm)	Pipe thickness (mm)	Pipe ID (mm)	Maximum recommended bracket spacing (mm)
40	52.8	1.8	36.4	15 x OD (600mm)
50	62.8	1.8	46.4	15 x OD (750mm)
75	87.9	1.9	71.2	10 x OD (750mm)
110	125.6	2.7	104.6	10 x OD (1100mm)
160	180.7	3.9	152.2	10 x OD (1600mm)

If fitting prevents bracketing at 10 x D, reduce spacing.

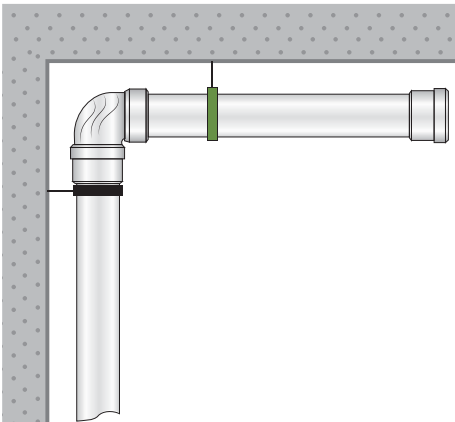


G - Guiding bracket (loose)

F - Fixing bracket (tight)



- Don't use sound-dampening bracket on horizontal lines.
- Install fixing bracket at socket end followed by guiding bracket until next joint.
- Install fixing bracket downstream, as near as possible to the socket end.
- Max bracket spacing can be increased for smaller pipes sizes, see page 17 for recommendation.
- If more than 3 fittings are joined together in the same line, ensure the group of fittings are sufficiently supported to avoid sagging, twisting and to prevent the connections from sliding apart.
- It is recommended to have a bracket either side of a raised inspection opening.



Whenever possible, bracket as close as possible to the socket-end and not onto socket.

RAUPIANO PLUS

Pipe support - anchor points

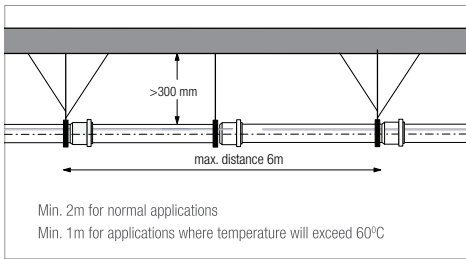
Anchor brackets are also used when the distance between the ceiling and top of pipe is greater than 300mm.

Anchor points (ie. anchor points or tri-brackets) are required in the following applications:

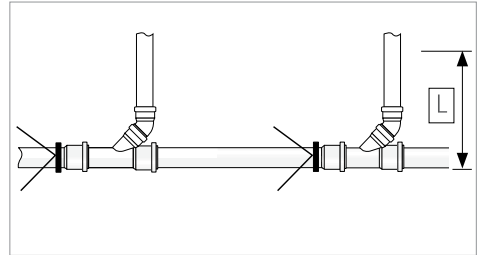
- Every 6m or less in a straight run; or
- Every 4m if temperature exceeds 60°C;
- Every change in flow direction;

- All junctions where the branch pipe length exceeds 2m (normal applications) and 1m (where temperature exceeds 60°C);
- Where a branch enters a stack and where a stack rolls over.

This is a recommended solution and not seismic tested.

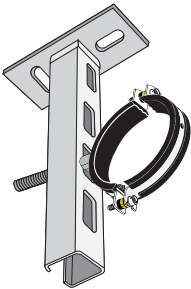


Providing fixed supports using tri-bracketing (Guiding brackets not shown in image)

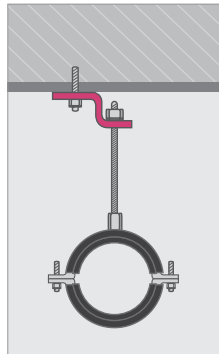


Tri-bracketing plan view

L = Min. 2 m for normal applications,
Min. 1 m for applications where temperature will exceed 60 °C



Fixed bracket with Unistrut



Z-brackets



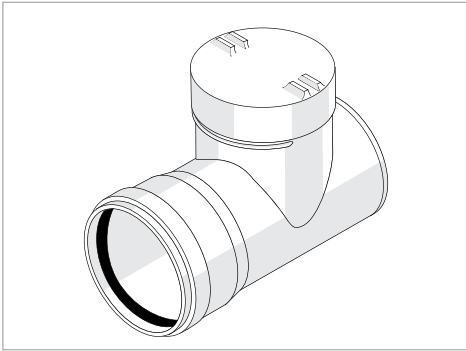
Tri-brackets



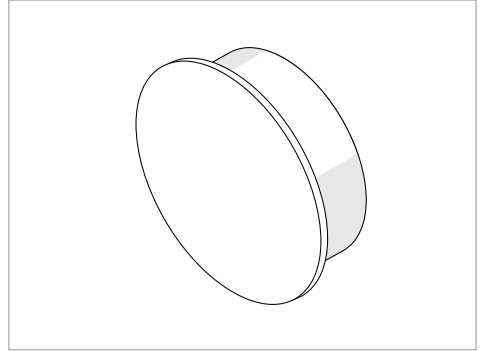
Please check with your local authorities for when cases are different

RAUPIANO PLUS

Inspection opening access pipe and pipe cap



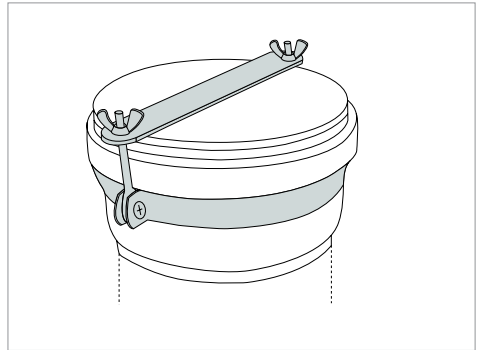
I.O. access pipe



Pipe cap

- RAUPIANO PLUS I.O access pipe is supplied with an insert to make the opening surface flush with the pipe inner diameter.
- The access cap has a threaded connection.
- The installation locations of inspection opening shall adhere to AS/NZS 3500.2.
- IO access pipe cannot be used to rise to surface.
- If this is required, use a DN110/87 deg junction art #1450921

- RAUPIANO PLUS pipe cap can be pushed into the built-in socket.



Securing clip

- To ensure that the pipe cap won't be pushed out by the water pressure within the piping system, a securing clip is recommended to be installed together with the pipe cap.

RAUPIANO PLUS

Push-fit lock

RAUPIANO Push-Fit Lock

The RAUPIANO Push-Fit Lock increases the socket joint integrity by preventing the pipe from being pulled-out of the socket at higher load.

Push-Fit Lock Application

- 1 Stormwater Downpipe installed inside buildings up to a maximum pressure of 2 bar (20 m).
- 2 Connection of Pump stations up to a maximum pressure of 2 bar
- 3 As an alternative solution, the Push-Fit Lock can be used to secure the socket plug, it would be used in replacement of using a securing clip.



Push-Fit Lock assembled on a socket

For Pump station application, it is recommended to install the Push-Fit Lock around all sockets in horizontal and vertical pipework where the applied pump pressure may exceed 1 bar.

In stormwater applications it is recommended to install the Push-Fit Lock around all sockets in horizontal and vertical pipework in buildings of more than 10m in height.

In addition, the Push-Fit Lock can also be used to prevent the pipe from sliding apart during the installation phase.

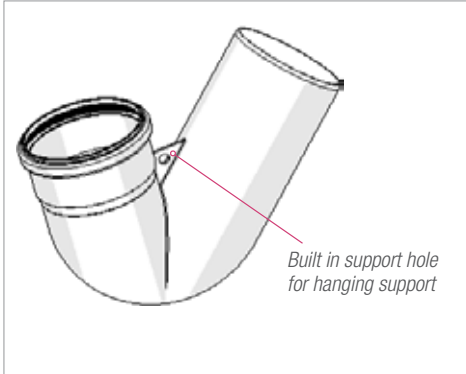
It is easily installed and dismantled. The auto-locking assembly mechanism prevents it from falling off the pipe, even when the Push-Fit Lock has not been tightened yet.

Installation is simple, fast and secure. The necessary bolts and nuts are supplied together with the Push-Fit Lock.

RAUPIANO PLUS

P trap siphon / 110mm disconnecter gully

P-trap siphon / 110mm disconnecter gully



The P-trap siphon can be supported by attaching a hook into the built-in hole.

RAUPIANO PLUS P-trap siphon provides a 50 mm water seal to prevent foul odour from coming out of the drainage lines. The P-trap siphon is to be used in conjunction with a DN/OD 110 45° bend.

When installing this P-trap, it is important to install the pipe support properly to ensure safe operation of the drainage system.

RAUPIANO PLUS

Floor waste gully and shower gully - installation

RAUPIANO PLUS Floor waste gully includes:

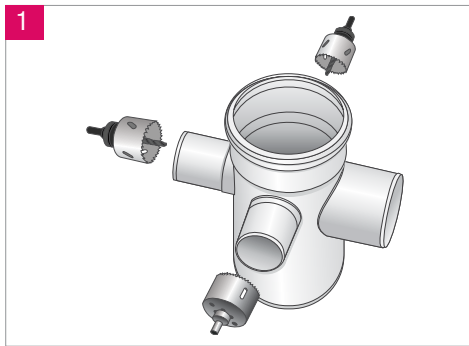
- 3-way riser (DN 110 floor inlet, 3 x DN50 inlets, DN75 outlet).
- Removable insert that creates a water sealing column for the "trap".
- The same push-fit joining method applies for all the inlets and outlet.



Remove baffle to prevent damage whilst drilling the inlet holes.

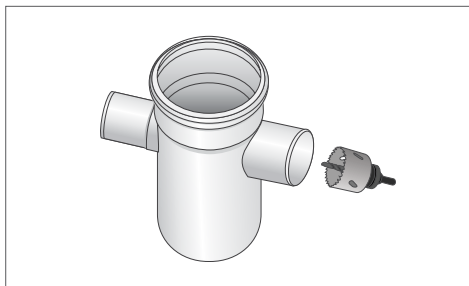
RAUPIANO PLUS Shower Trap includes:
1 way riser (DN110 floor inlet, 1 x DN50 inlet, DN50 outlet)

Drill hole for required inlets using 44mm hole saw



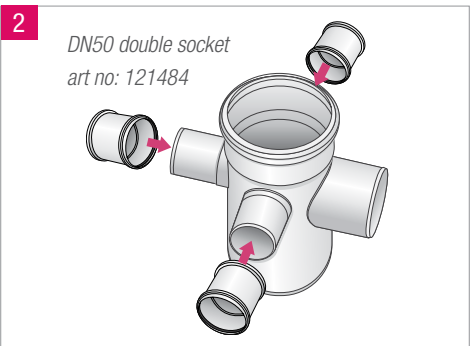
Floor waste gully art. no. 100391-001

1. If required, drill hole for inlet using 44-46mm hole saw.



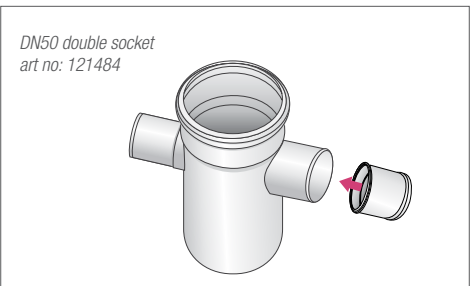
Shower gully art. no. 103915-001

Assemble double socket over DN50 inlets



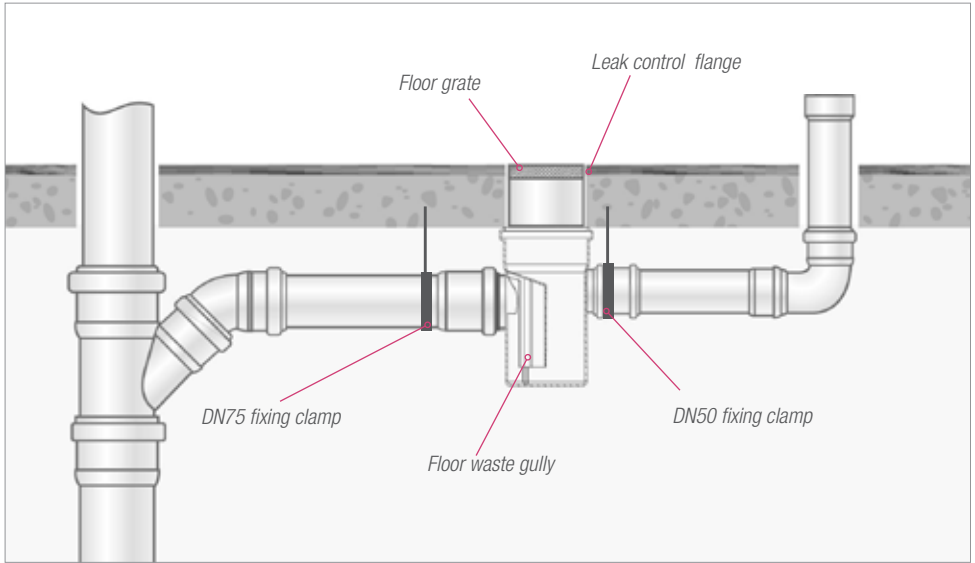
Floor waste gully with double sockets on inlets

2. Assemble double socket over DN50 inlet



Shower gully with double sockets on inlets

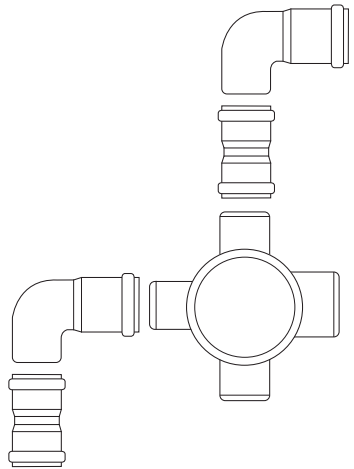
Note: Check and ensure that the baffle is firmly pushed down to the bottom after installation



Shower gully - Bracketing*

1. Install shower gully beneath slab by inserting over DN110 penetration
2. Install socket of DN50 outlet pipe over outlet
3. Install DN50 inlet pipe into socket of inlet
4. Secure shower gully by installing fixed brackets on inlet and outlet

* The above schematic shows a general example and is not intended to satisfy the installation requirements for any particular project. Specific fire protection may or may not be required depending on building class and design, check with fire engineer and refer to the National Construction Code for detailed information.



For applications where the immediate bend is required, a 87° bend can be used in the direction of flow

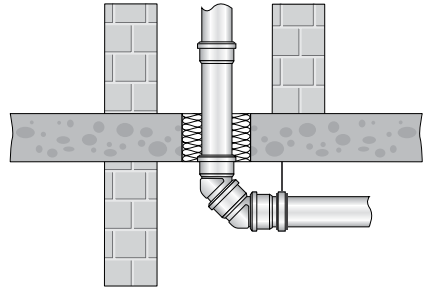
RAUPIANO PLUS

Installation advices

- A To reduce structure-borne noise and improve the acoustic performance of the drainage system, avoid direct contact between pipe and ceiling/wall materials by installing insulation layer within the penetration hole. When fire collars are used, check with the respective fire collar manufacturer on tested solutions of insulation layers that can be used to prevent sound transmission.

- B Wrap the drainage line with closed-cell insulation to avoid condensation, especially for storm-water application condensation may occur on the pipe surface. It is recommended to wrap all pipework where condensation could occur with closed-cell insulation materials.

- C For commercial kitchen with grease separator located at a distance, install pipe heat trace to prevent premature grease accumulation. Max. heat trace temperature is 65°C.



RAUPIANO PLUS

Connection to PVC pipe

If it is necessary to adapt to PVC systems which are manufactured according to AS/NZS 1260, the simple adaptor from RAUPIANO PLUS to PVC system is available. To install these adaptors, please adhere the following steps:

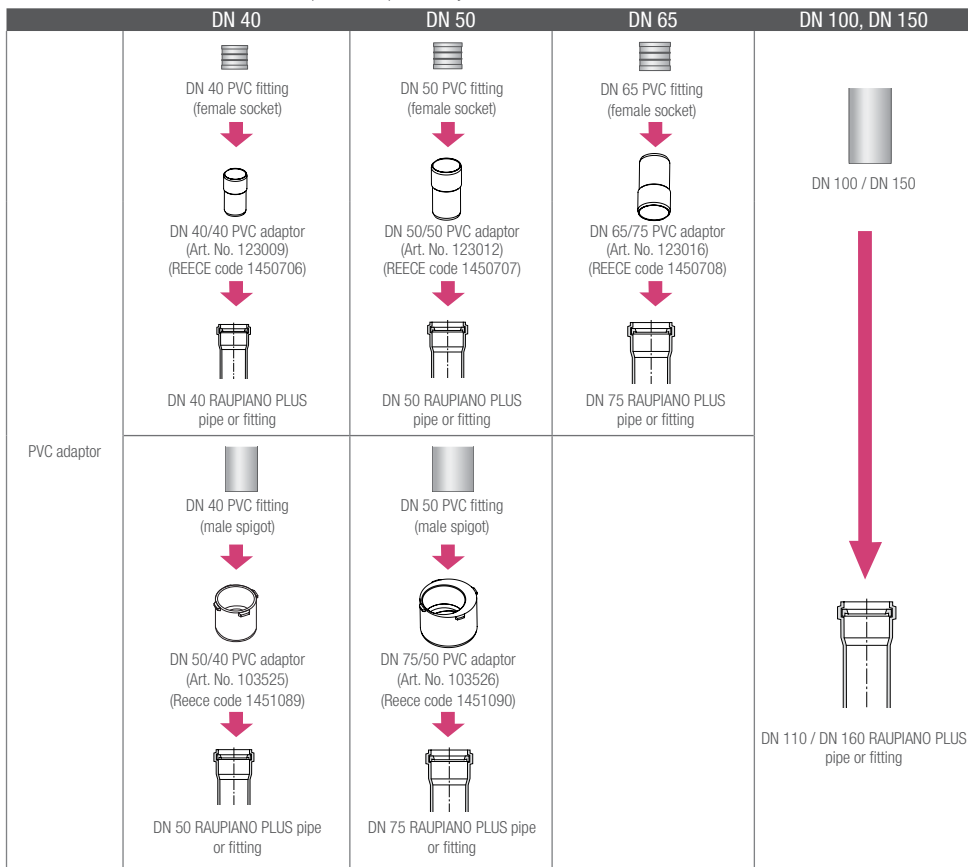
- apply primer and solvent cement to the PVC side of the adaptor
- insert the solvent-cemented portion into a female socket of PVC fitting
- apply REHAU lubricant to the other portion of the adaptor and insert into RAUPIANO PLUS socket

These adaptors are made of PVC and available for the following sizes:

PVC adaptor	From		To	
	RAUPIANO PLUS	OD (mm)	PVC system	OD (mm)
DN 40/40	DN 40	40	DN 40	43
DN 50/40	DN 50	50	DN 40	43
DN 50/50	DN 50	50	DN 50	56
DN 75/50	DN 75	75	DN 50	56
DN 75/65	DN 75	75	DN 65	69

Available adaptor sizes from RAUPIANO PLUS to PVC system

* For RAUPIANO sizes DN 110 and DN 160 a PVC adaptor is not required as they have the same OD as PVC.



RAUPIANO PLUS

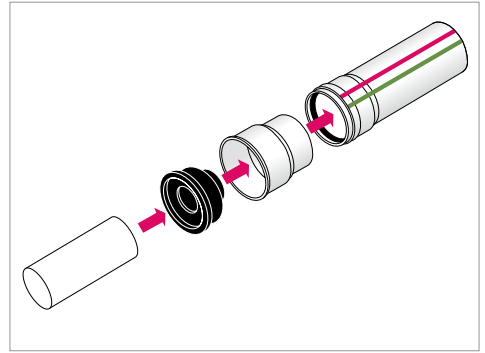
Connection to other metal or plastic pipe

Drainage fittings to RAUPIANO PLUS

There are several options for connecting plumbing fixture drainage fittings or other pipe materials to RAUPIANO plus drainage pipes or fittings:

- RAUPIANO PLUS connection pipe
- RAUPIANO PLUS connection bend
- RAUPIANO PLUS fitting with beaded rubber nipple

- 1 Insert rubber nipple in the socket of the connection pipe.
- 2 Apply REHAU lubricant on the sealing lips of the rubber nipple.
- 3 Insert male end of drain fitting of plumbing fixture into the rubber nipple.



	DN 40	DN 50	DN 50
<p>Fixture trap</p>	<p>OD 32 - 40 mm metal pipe</p>	<p>OD 32 - 40 mm metal pipe</p>	<p>OD 47 - 50 mm metal pipe</p>
	<p>DN 50/40 rubber nipple (Art. No. 126253) (REECE code 1450882)</p>	<p>DN 50/40 rubber nipple (Art. No. 126253) (REECE code 1450882)</p>	<p>DN 50/50 rubber nipple (Art. No. 121913) (REECE code 1450883)</p>
	<p>DN 40/40 connection pipe (Art. No. 123164) (REECE code 1450752)</p>	<p>DN 50/40-30 connection pipe (Art. No. 121414) (REECE code 1450753)</p>	<p>DN 50/50 connection pipe (Art. No. 121424) (REECE code 1450754)</p>
	<p>DN 40 RAUPIANO PLUS pipe or fitting</p>	<p>DN 50 RAUPIANO PLUS pipe or fitting</p>	<p>DN 50 RAUPIANO PLUS pipe or fitting</p>

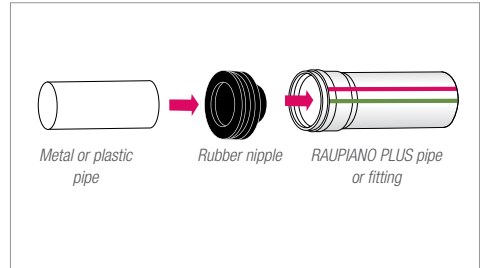
RAUPIANO PLUS

Connection to other metal or plastic pipe

RAUPIANO PLUS fitting with beaded rubber nipple

- 1 Remove the installed sealing rubber from the pipe or fitting socket.
- 2 Insert rubber nipple with bead into the fitting socket.
- 3 Insert male end of the drain fitting of plumbing fixture into the rubber nipple.

For connection from other pipe system to RAUPIANO PLUS, for example from metal/plastic P- or S-trap



	DN 40	DN 50	DN 50
<p>Fixture trap</p>	<p>OD 32 mm metal pipe</p>	<p>OD 32 mm metal pipe</p>	<p>OD 40 mm metal pipe</p>
	<p>DN 40/30 rubber nipple with bead (Art. No. 122923) (REECE code 1450884)</p>	<p>DN 50/30 rubber nipple with bead (Art. No. 122933) (REECE code 1450885)</p>	<p>DN 50/40 rubber nipple with bead (Art. No. 122943) (REECE code 1450886)</p>
	<p>DN 40 RAUPIANO PLUS pipe or fitting (without rubber ring)</p>	<p>DN 50 RAUPIANO PLUS pipe or fitting (without rubber ring)</p>	<p>DN 50 RAUPIANO PLUS pipe or fitting (without rubber ring)</p>

Drainage fittings to RAUPIANO PLUS adaption

RAUPIANO PLUS

Connection to cast iron

Rubber sleeve adaptor for Cast Iron pipe or other materials



Rubber sleeve for same or different outer diameters.

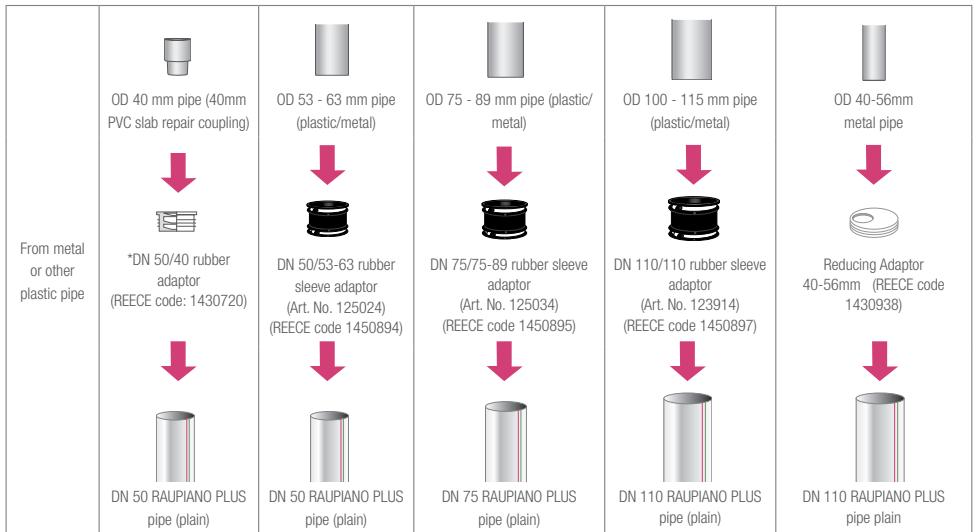
Below are the properties of the rubber sleeve adaptor.

Material	Rubber
Tightening device	Stainless-steel worm-gear clamps
Recommended tightening torque	3 Nm (Newton metres)
Pressure resistance	1 bar
Chemical resistance	pH 2 - 12

Installation steps:

1. Insert RAUPIANO PLUS pipe end into one end of the rubber sleeve adaptor.
2. Insert Cast Iron / other material pipe end into the other end of the rubber sleeve adaptor.
3. Tighten the worm-gear clamps on both ends of the rubber sleeve adaptor without exceeding the maximum tightening torque.

For transition from RAUPIANO PLUS pipes to Cast Iron pipes or other materials for drainage systems, rubber sleeve adaptors can be used. These rubber sleeves come with rubber seal that is attached to the pipe ends and two stainless-steel worm-gear clamps. These rubber sleeve adaptors can be used in new construction or renovation works.



Metal and other pipe to RAUPIANO PLUS adaption

*Fits inside pipe

RAUPIANO PLUS

Leak test



The leak test must be carried out in accordance with AS/NZS 3500.2

For pipes installed below ground, testing shall be conducted prior to the placement of the trench fill (backfill).

Hydrostatic test

The sanitary plumbing and sanitary drainage shall be filled with water -

- (a) in the case of sanitary drainage, to a height of not less than 1 m above the pipe soffit level at the highest point of the section being tested;
- (b) in the case of sanitary plumbing, to the spill level of the highest fixture or to the flood level of the lowest sanitary fixture, whichever is higher; and
- (c) in the case of pipe installed below ground, to a height not less than 2 m (or 20 kPa) above the pipe soffit level at the highest point of the section being tested or 2 m (or 20 kPa) above ground water table, whichever is the greater.

The pressure shall be maintained without leakage for at least 15 min. The source of any leak shall then be ascertained and any defects repaired. The section under test shall then be retested.

Air Test

Alternatively, the test can be carried out with air.

The air test is carried out with:

- Test pressure 15 kPa
- 1 Ensure firm and sealed seating of plugs.
 - 2 Pipes ends should be secured with securing clips (see page 12) or push-fit locks
 - 3 Pressurise the system and stabilize for a minimum of 3 minutes while checking for leaks
 - 4 After pressure is stabilized commence the test by allowing the pressure to reduce to 10 kPa
 - 5 Start test time and record drop in pressure during the test time
 - 6 The section of sanitary plumbing or sanitary drainage being tested shall not have a drop in pressure greater than 3 kPa over the minimum test duration specified in Table 10.1

Pipe size	Test Length (m)					
	50	100	150	200	250	300
DN	Minimum test duration, min					
110	2	2	2	2	3	3
160	3	3	3	6	6	6

Minimum test duration for Air Test in minutes

RAUPIANO PLUS

Fire protection solutions

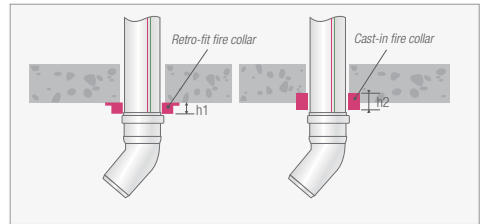
RAUPIANO PLUS system can be installed with suitable fire collars which have been tested and proven according to AS 1530.4 to fulfill the fire protection requirements from NCC/BCA.

Approved fire collar solutions for RAUPIANO PLUS pipe are available from the following manufacturers:

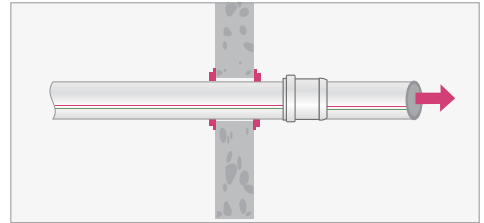
- Promat (1800 776 628 or www.promat.com.au)
- Ramset (1300 780 063 or www.ramset.com.au)
- Snap (1300 76 46 26 or www.snapcollars.com.au)
- Hilti (131 292 or www.hilti.com.au)
- Allproof (+64 9 481 8020 or <http://allproof.co.nz>)

IMPORTANT: Not every fire collar is tested and approved with RAUPIANO PLUS

Contact the manufacturer of the fire collar for information on fire test results and assembly/installation instructions to determine which solution suits your requirements.



Installation of fireproof collar in ceiling*



Installation of fireproof collar on wall*

* The above schematics show general examples and are not intended to satisfy the installation requirements for any particular project. Specific fire protection measures may or may not be required depending on building class and design, check with fire engineer and refer to the National Construction Code for detailed information.

* FWG fire collars may be different. Please check with fire collar manufacturer.

RAUPIANO PLUS

Overview

Material	PP-MD mineral-reinforced (pipes and fittings)
Size range	DN 40 – DN 160
Area of application	Waste water pipes in buildings and laid below ground inside and outside the building structure
Chemical resistance	Polypropylene basis in accordance with DIN 8078 No waste water containing mineral oil or benzene Seals made of SBR DIN 4060, DIN EN 681-1 Refer to RAUPIANO PLUS Installation and Technical Manual for chemical resistance data
Application	Waste water with ph value 2 – 12 Waste water temperature up to 95°C (brief periods) or 90°C (continuous load) Installation temperature down to -10°C Maximum head pressure 1 bar (10m) respectively 2 bar (20m) when using Push-fit Lock. Design Service Life 50 years within these application parameters.

Standards and approval System test according to:

- AS/NZS 7671, WM70060
- AS 2887, WM71501
- AS/NZS 1260, WM71502
- AS/NZS 5065, WM71503

System assessed according to:

- BRANZ Appraisal No. 809
- Best Environmental Practice PVC to AS/NZS 1260

This document is protected by copyright. All rights based on this are reserved. No part of this publication may be translated, reproduced or transmitted in any form or by any similar means, electronic or mechanical, photocopying, recording or otherwise, or stored in a data retrieval system.

Our verbal and written advice relating to technical applications is based on experience and is to the best of our knowledge correct but is given without obligation. The use of REHAU products in conditions that are beyond our control or for applications other than those specified releases us from any obligation in regard to claims made in respect of the products.

We recommend that the suitability of any REHAU product for the intended application should be checked. Utilisation and processing of our products are beyond our control and are therefore exclusively your responsibility. In the event that a liability is nevertheless considered, any compensation will be limited to the value of the goods supplied by us and used by you.

Our warranty assumes consistent quality of our products in accordance with our specification and in accordance with our general conditions of sale.

REHAU Branches in Asia Pacific :

SINGAPORE - Regional Office for Asia Pacific

1 King George's Avenue, REHAU Building, Singapore 208557 Tel: +65 6392-6006 Fax: +65 6392-6116

AUSTRALIA National Customer Service Centre Tel: 1300 768 033 **GREATER CHINA** Beijing Tel: +86 10 6428-2956 Chengdu Tel: +86 28 8628-3218
Guangzhou Tel: +86 20 8776-0343 / 3646 Hong Kong Tel: +852 2898-7080 Qingdao Tel: +86 532 8667-8190 Shenyang Tel: +86 24 2287-5807
Shanghai Tel: +86 21 6355-1155 Taicang Tel: +86 512 5337-2888 Taipei Tel: +886 2 8780-3899 Xi'an Tel: +86 29 6859-7000 **INDIA** Bangalore Tel:
+91 80 2222-0014 Mumbai Tel: +91 22 6148-5858 New Delhi Tel: +91 11 4848-5600 Pune Tel: + 91 21 3567-4301 / 4340 **INDONESIA** Jakarta Tel:
+62 21 4587 1030 **JAPAN** Tokyo Tel: +81-3-3292-8337 **NEW ZEALAND** Auckland Tel: +64 9 2722-264 **PHILIPPINES** Manila Tel: +63 2 654-5120
THAILAND Bangkok Tel: +66 2763-5100 **VIETNAM** Ho Chi Minh City Tel: +84 8 3823-3030